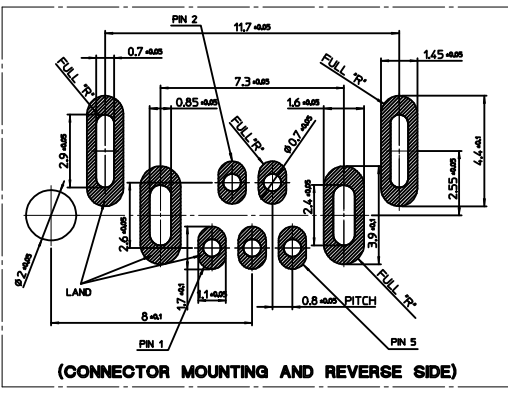
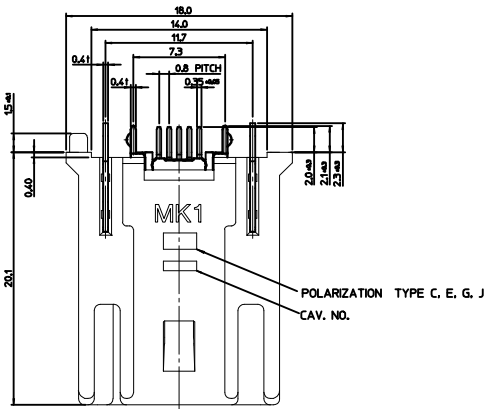
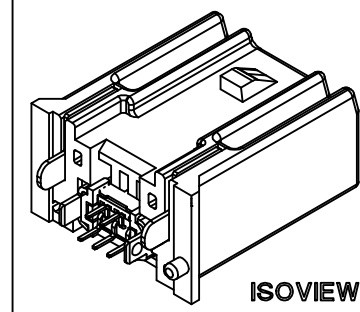
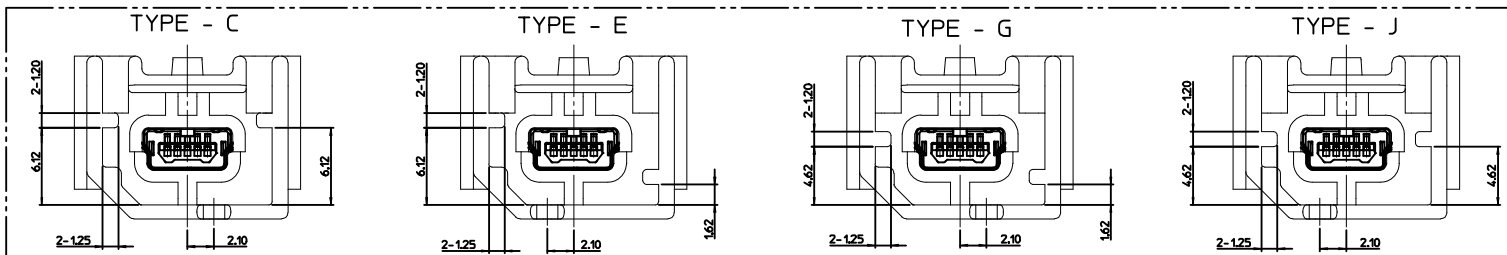


POLARIZATION OPTION



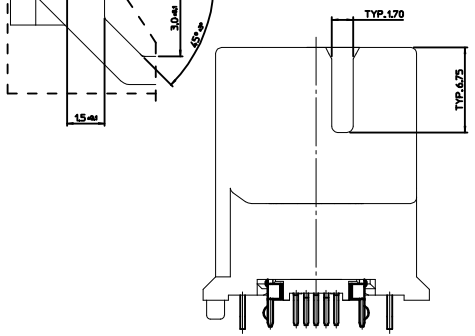
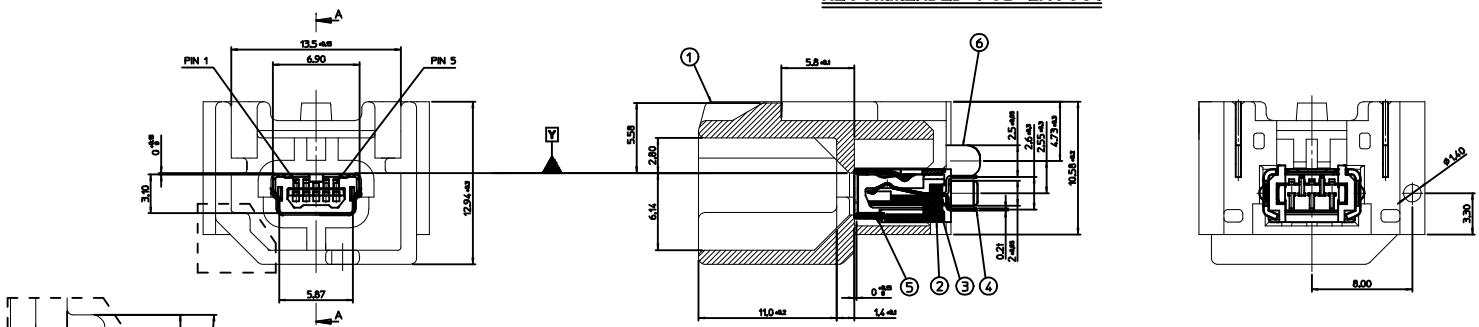
<TABLE 1>

	MATERIAL NO.	ORDER NO.	MATERIAL	PACKING	COLOR
TYPE - C	1040040511	104004-0511	LCP	TRAY	BLACK
	1040040711	104004-0711	LCP	TUBE	
TYPE - E	1040040521	104004-0521	LCP	TRAY	BLUE
	1040040724	104004-0724	SPS	TUBE	
TYPE - G	1040040531	104004-0531	LCP	TRAY	BLACK
TYPE - J	1040040541	104004-0541	LCP	TRAY	BLACK

NOTE

- SHROUD GEOMETRY AND ASSEMBLY WITH USB MINI-B CONNECTOR ARE ACCORDING TO USCAR STD 999-U-USB-***
- FINISHES
 - TERMINAL : CONTACT AREA : Au 0.754μm MIN. SOLDER TAIL AREA : TIN 3.81μm MIN. UNDER PLATING : NI 1.01μm MIN.
 - SHIELD CASE : 3.04μm MIN. TIN OVER NI 1.04μm MIN.
 - FITTING NAIL : 3.04μm MIN. TIN OVER NI 1.04μm MIN.
- UNLESS OTHERWISE SPECIFIED, TYPICAL RECOMMENDED PCB MANUFACTURING TOLERANCE IS ±0.05
- PACKAGING
 - TRAY : 48 PCS/TRAY, 5 TRAY/TRAY BOX, 240 PCS/TRAY BOX, 960 PCS/CARTON BOX
 - TUBE : 29 PCS/TUBE, 60 TUBE/CARTON BOX, 1740 PCS/CARTON BOX
- PRODUCT SPECIFICATION : PS-49616-001
- PACKAGING INFORMATION
 - TRAY PACKING : PK-104004-001
 - TUBE PACKING : RPK-104004-002
- PCB THICKNESS : 1.6mm(REFERENCE)

RECOMMENDED PCB LAYOUT



<PARTS LIST>

NO.	PART NAME	MATERIAL
1	SHROUD-C, E, G, J	LCP, GLASS FILLED, UL94 V-0
2	RECEPTACLE HOUSING	SPS, GLASS FILLED, UL94 HB
3	CONTACT HOUSING	LCP, GLASS FILLED, UL94 V-0
4	CONTACT TERMINAL	COPPER ALLOY
5	SHIELD CASE	PHOSPHOR BRONZE
6	BOARD LOCKS PIN	BRASS

REVISED EC NO: KTR2015-0098
 DRAWN BY: DRWNY/BAEK 2015/04/17
 CHKD: APPR: JYCHO 2015/05/04
 A5

QUALITY SYMBOLS: $\nabla=0$, $\nabla=0$

GENERAL TOLERANCES (UNLESS SPECIFIED):

	mm	INCH
4 PLACES	± 0.15	± 0.006
3 PLACES	± 0.25	± 0.010
2 PLACES	± 0.30	± 0.012
1 PLACE	± 0.40	± 0.016
ANGULAR		± 1°

DRAFT WHERE APPLICABLE MUST REMAIN WITHIN DIMENSIONS

QUALITY SYMBOLS: $\nabla=0$, $\nabla=0$

GENERAL TOLERANCES (UNLESS SPECIFIED):

MM ONLY

SCALE 5:1

DESIGN UNITS METRIC

THIRD ANGLE PROJECTION

DRWN BY: S. M. KIM DATE: 2009/06/17

CHEK BY: B. C. YOON DATE: 2009/06/17

APPR BY: E. H. JUNG DATE: 2009/06/17

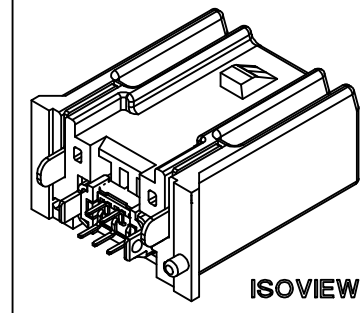
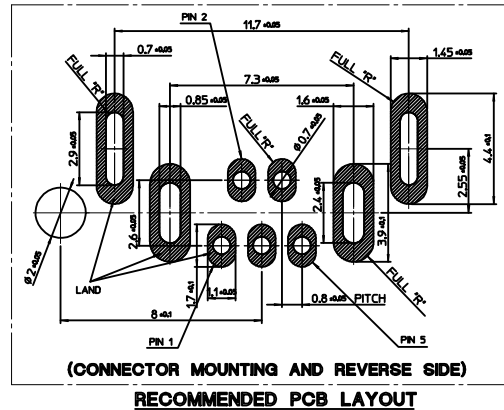
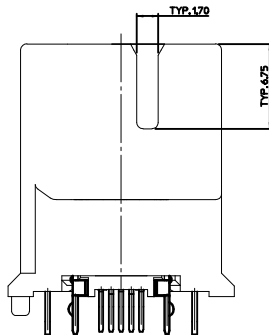
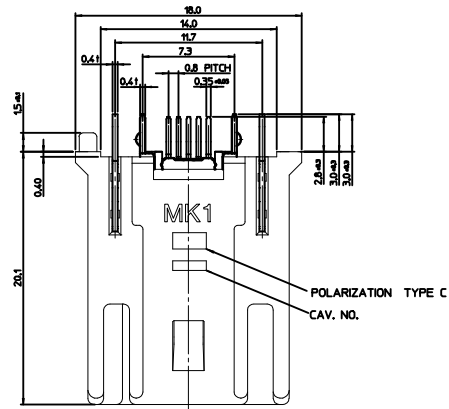
TITLE: USCAR USB MINI B CONN. VERTICAL-C,E,G,J

MATERIAL NO. SD-104004-003

DOCUMENT NO. SD-104004-003

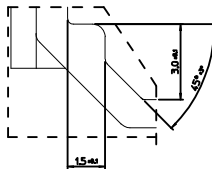
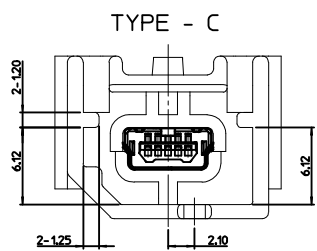
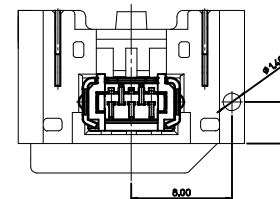
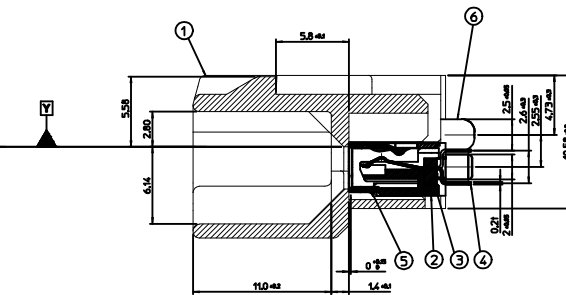
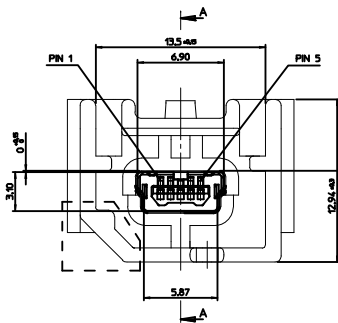
SHEET NO. 1 OF 1

THIS DRAWING CONTAINS INFORMATION THAT IS PROPRIETARY TO MOLEX INCORPORATED AND SHOULD NOT BE USED WITHOUT WRITTEN PERMISSION



<TABLE 1>

	MATERIAL NO.	ORDER NO.	MATERIAL	PACKING	COLOR
TYPE - C	1040040911	104004-0911	LCP	TRAY	BLACK



<PARTS LIST>

NO.	PART NAME	MATERIAL
1	SHROUD-C	LCP, GLASS FILLED, UL94 V-0
2	RECEPTACLE HOUSING	LCP, GLASS FILLED, UL94 V-0
3	CONTACT HOUSING	LCP, GLASS FILLED, UL94 V-0
4	CONTACT TERMINAL	COPPER ALLOY
5	SHIELD CASE	PHOSPHOR BRONZE
6	BOARD LOCKS PIN	BRASS

NOTE

- MATES WITH :
(MOLEX SERIES NO. - 111014, 111015, 111005, 111041, 111019, 111020)
- SHROUD GEOMETRY AND ASSEMBLY WITH USB MINI-B CONNECTOR ARE ACCORDING TO USCAR STD 999-U-USB-Z01
- FINISHES
- TERMINAL :
CONTACT AREA : Au 0.75µm MIN.
SOLDER TAIL AREA : TIN 3.8µm MIN.
UNDER PLATING : NI 1.0µm MIN.
- SHIELD CASE :
3.0µm MIN. TIN OVER NI 1.0µm MIN.
- FITTING NAIL :
3.0µm MIN. TIN OVER NI 1.0µm MIN.
- UNLESS OTHERWISE SPECIFIED, TYPICAL RECOMMENDED PCB MANUFACTURING TOLERANCE IS ±0.05
- PACKAGING IS TRAY :
(48 PCS/TRAY, 5 TRAY/TRAY BOX, 240 PCS/TRAY BOX, 960 PCS/CARTON BOX)
- PRODUCT SPECIFICATION : PS-49616-001
- PACKAGING INFORMATION : PK-104004-003
- PCB THICKNESS : 2.36mm(REFERENCE)

REVISED EC NO: KTR2015-0098 DRAWN BY: IBAEK CHKD: JYCHOI APPR: JYCHOI 2015/04/17 2015/05/04 A1	QUALITY SYMBOLS 	GENERAL TOLERANCES (UNLESS SPECIFIED) mm INCH 4 PLACES ± --- ± --- 3 PLACES ± --- ± --- 2 PLACES ± 0.15 ± --- 1 PLACE ± 0.25 ± --- ANGULAR ± 1°		DIMENSION STYLE MM ONLY	SCALE 5:1	DESIGN UNITS METRIC	THIRD ANGLE PROJECTION
		DRAWN BY: S.M.KIM DATE: 2009/06/17 CHECKED BY: B.C.YOON DATE: 2009/06/17 APPROVED BY: JYCHOI DATE: 2014/08/01		TITLE USCAR USB MINI-B CONN. VERTICAL - C (LONG TERMINAL VERSION)	DOCUMENT NO. SD-104004-008	SHEET NO. 1 OF 1	
		DRAFT WHERE APPLICABLE MUST REMAIN WITHIN DIMENSIONS		SEE TABLE 1	MOLEX INCORPORATED		
		THIS DRAWING CONTAINS INFORMATION THAT IS PROPRIETARY TO MOLEX INCORPORATED AND SHOULD NOT BE USED WITHOUT WRITTEN PERMISSION					