

08080570 & 08080670 BATTERY DISCONNECT SWITCHES

200A • SPST • IP65 • M10 Studs



Description

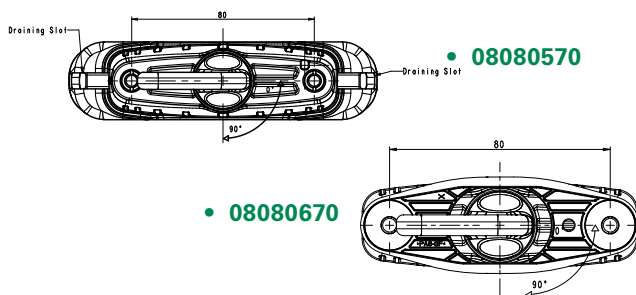
Manually operated battery switches for use on 12V and 24V electrical systems, for the purpose of disconnecting the battery from the vehicle electrical system even under load, and to stop power from the alternator.

The battery switch model 08080570, unlike model 08080670, is equipped with a supplementary contact NC which may be used for various purposes, such as activating a warning light, grounding the alternator, etc..

Features/Benefits

- 200A continuous current rating
- High quality thermoplastic material is robust and resistant to chemicals and environmental elements.
- Unique shape (elongated and narrow) allows mounting in hard to reach and areas with limited space.
- Waterproof to IP65

Mounting Diagram



Specifications

Max Operating Voltage:	24V DC
Max Continuous Current:	200A
Intermittent Current:	1500A at 5 sec
Operating Temp:	-40 °C to +70 °C
Ingress Protection:	IP65
Contacts:	Copper (Silver-plated)
Terminals:	M10 (inox)

Applications

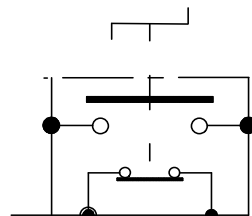
- Heavy trucks
- Emergency vehicles
- Agricultural
- Marine

Web Resources

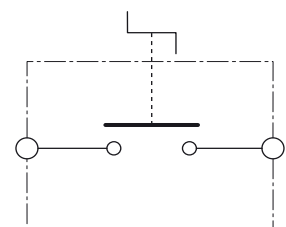
Download 2D print and technical resources at:
littelfuse.com/ManualBatterySwitches

Electrical Diagram

With supplementary contacts



Standard contacts



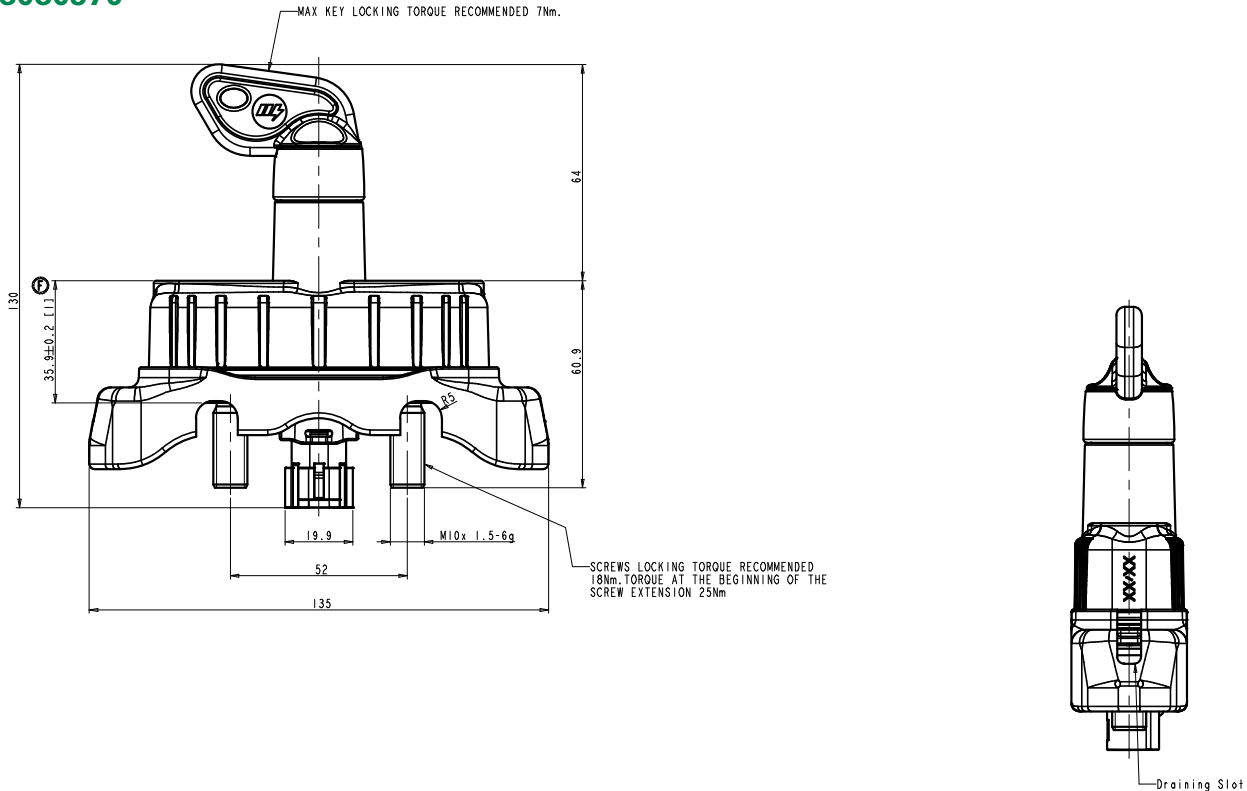
Ordering Information

PART NUMBER	VOLTAGE	AMPERAGE	CIRCUITRY	MOUNTING	INGRESS	TERMINAL NUTS	NOTES
08080570	12-24V DC	200A	SPST	Through-Hole	IP65	M10 Inox	Fixed key and supplementary contact
08080670	12-24V DC	200A	SPST	Through-Hole	IP65	M10 Inox	Fixed key

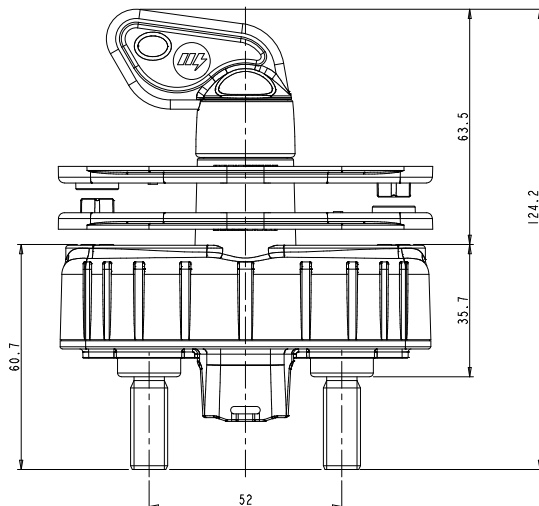
08080570 & 08080670 BATTERY DISCONNECT SWITCHES

Dimensions in millimeters

08080570



08080670



Visit Littelfuse.com for the most up-to-date product information. Littelfuse reserves the right to make product changes, without notice. Material in this document is as accurate as known at the time of publication.