

D

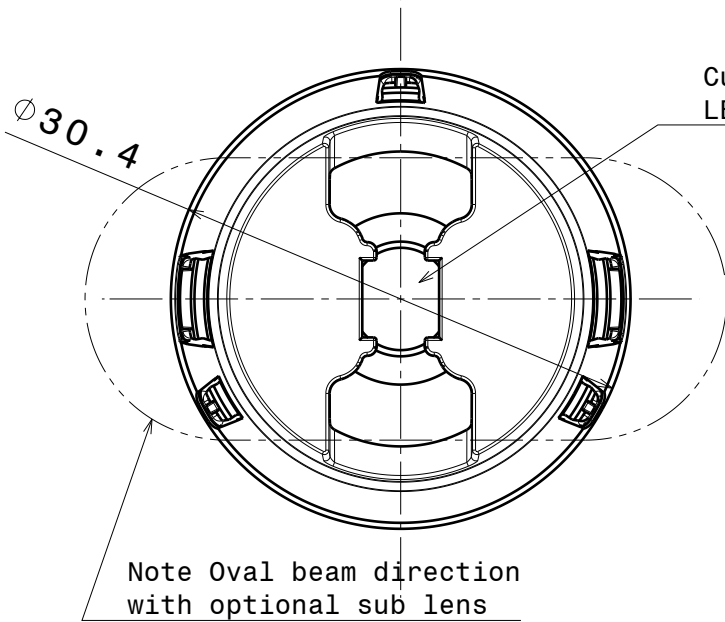
C

B

A

4

4



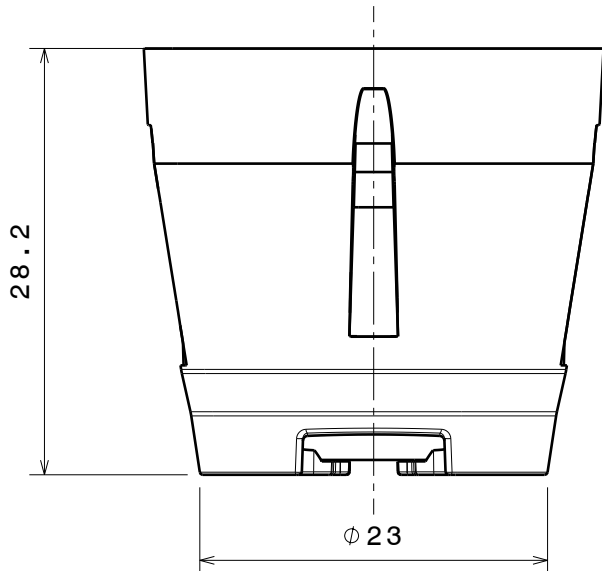
Cut out for 5x5mm LED

Note position guide for optional sub lens

Note Oval beam direction with optional sub lens

3

3



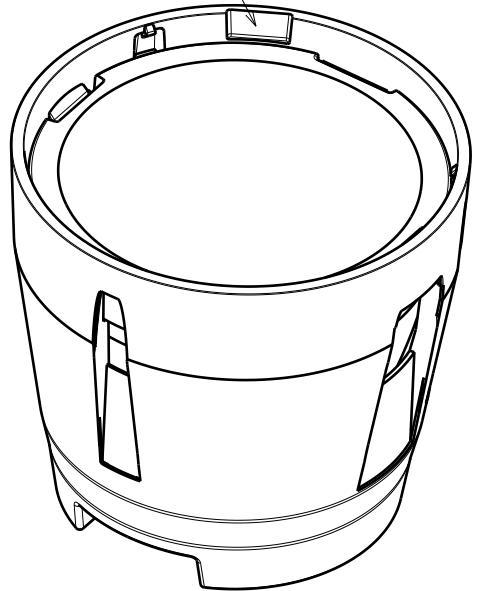
28.2

23

2

2

Note:
Height of assy same also with SUB LENS.
Fastening with glue.



INDEX	PART NO	DESCRIPTION	MATERIAL	COLOUR
1	Holder	RGBX-HLD	PC	black
2	RGBX-Lens		PMMA	
3	SUB LENS		PC	

Tolerances if not otherwise shown
According to DIN ISO 2768-1
Linear measures:
Up to 30mm class M, otherwise class C.
According to DIN ISO 2768-2
Form and position: class L

LEDiL
Ledil Oy
Salorankatu 10
FIN 24240 SALO
Finland

THIRD ANGLE PROJECTION:

DRAWING TITLE
Datasheet RGBX2 assembly

This drawing is the property of LEDiL Oy. It may not be reproduced, copied or communicated without a written agreement with LEDiL Oy."

SIZE	PART NUMBER			
A4				

SCALE	2:1	WEIGHT	12 g	SHEET	1/1
-------	-----	--------	------	-------	-----

D

A

1