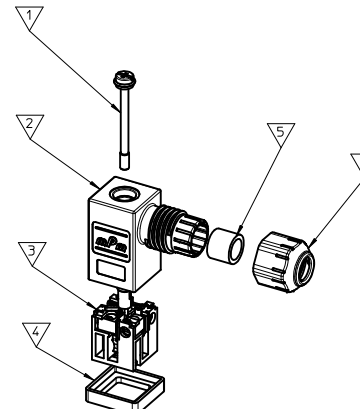


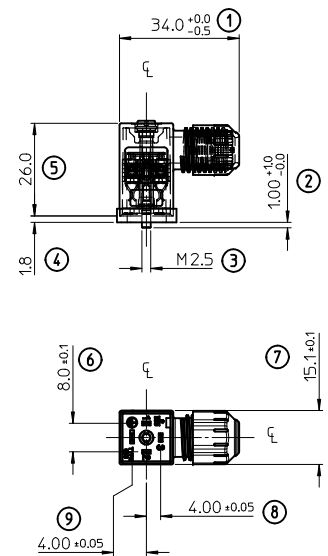
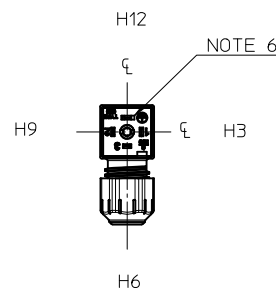
Part No	MPM Part No	DESCRIPTION
1212040001	C25200N0T	FORM C 2 POLE BLACK NBR GASKET
1212040002	C25200G0T	FORM C 2 POLE GREY NBR GASKET
1212040003	C25200W0T	FORM C 2 POLE BLACK V0 NBR GASKET
1212040004	C25200T0T	FORM C 2 POLE TRANSPARENT NBR GASKET
1212040005	C25300N0T	FORM C 3 POLE BLACK NBR GASKET
1212040006	C25300G0T	FORM C 3 POLE GREY NBR GASKET
1212040007	C25300W0T	FORM C 3 POLE BLACK V0 NBR GASKET
1212040008	C25300T0T	FORM C 3 POLE TRANSPARENT NBR GASKET
1212040009	C25200N0TCN	FORM C 2 POLE EXT ASY BLK PA6 BULK
1212040010	C25200N2TSN	FORM C 2 POLE EXT ASY BLK PA6 BULK MOUNTED
1212040011	C25300N2TSN	FORM C 3 POLE EXT ASY BLK PA6 BULK MOUNTED

ITEM	DESCRIPTION
1	SCREW
2	EXTERNAL THREAD COVER
3	INSERT
4	GASKET
5	GROMMET
6	EXTERNAL THREAD NUT



C25200N0T \* \*

SERIES \_\_\_\_\_  
 C25= EXTERNAL THREAD FORM C  
 POLES \_\_\_\_\_  
 2= 2 POLE & 3= 3 POLE  
 THREAD \_\_\_\_\_  
 00 = EXTERNAL THREAD  
 MATERIAL AND HOUSING COLOR \_\_\_\_\_  
 G= PA6 GRAY, N= PA6 BLACK, W= PA6 BLACK V0, T= TRANSPARENT  
 GROUND POSITION \_\_\_\_\_  
 0= UNMOUNTED, 2= H12, 3=H3, 6 =H6 & 9= H9  
 SCREW AND GASKET \_\_\_\_\_  
 U= PROFILE SILICON GASKET AND IP67 SCREW  
 T= PROFILE NBR GASKET AND IP67 SCREW  
 NON STANDARD PACKAGING \_\_\_\_\_  
 CN= BULK PACK UN-MOUNTED  
 SN= BULK PACK MOUNTED  
 67= NEUTRAL PACKAGING



- NOTES:
- FOR SPECIFIC PART NUMBERS PLEASE CONTACT SALES OR CONSULT THE INTELLIGENT PART NUMBERS IN THE TABLE ATTACHED
  - PACKAGING SPECIFICATION: PLEASE SEE PK-121204-001
  - PRODUCT SPECIFICATION: PLEASE SEE PS-121201-001
  - CABLE SIZES 3 - 5.5 MM DIAMETER
  - TIGHTENING TORQUES: SEE PS-121201-001
  - GROUND POSITION SHOWN H12
- LAST INSPECTION NUMBER 9

ADDED PART No EC NO: WEU2011-0474 2011/03/15 DRAWN BY: DRWINDSHEA 2011/03/15 CHKD:DMAHER 2011/03/15 APPR:EFOLAN 2011/04/04	QUALITY SYMBOLS ▽=0 ▽=0	GENERAL TOLERANCES (UNLESS SPECIFIED)		DIMENSION STYLE <b>MM ONLY</b>		SCALE <b>1:1</b>	DESIGN UNITS <b>METRIC</b>	THIRD ANGLE PROJECTION
		4 PLACES ± --- ± --- 3 PLACES ± --- ± --- 2 PLACES ± 0.1 ± --- 1 PLACE ± 0.2 ± --- ANGULAR ± ---°	mm INCH ± --- ± --- ± 0.1 ± --- ± 0.2 ± --- ± ---°	DRAWN BY DMAHER_WEU 2010/03/12	DATE 2010/03/12	TITLE <b>EXTERNAL THREAD C25 SERIES 121204</b>		MOLEX MOLEX INCORPORATED
DRAFT WHERE APPLICABLE MUST REMAIN WITHIN DIMENSIONS		SEE TABLE		APPROVED BY JWALLACE 2010/03/24	DATE 2010/03/24	MATERIAL NO. SD-121204-001	DOCUMENT NO.	SHEET NO. 1 OF 1
THIS DRAWING CONTAINS INFORMATION THAT IS PROPRIETARY TO MOLEX INCORPORATED AND SHOULD NOT BE USED WITHOUT WRITTEN PERMISSION								