

ISL45042

LCD Module Calibrator

FN6072  
Rev 9.00  
Apr 13, 2011

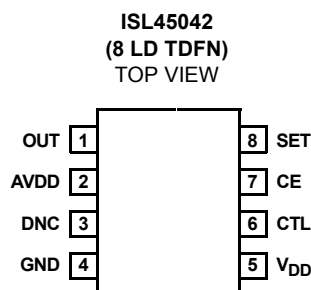
The  $V_{COM}$  voltage of an LCD panel needs to be adjusted to remove flicker. The ISL45042 can be used to digitally adjust a panel's  $V_{COM}$  voltage by controlling its output sink current. The output of the ISL45042 is connected to an external voltage divider and an external  $V_{COM}$  buffer amplifier. In this application, the user can control the  $V_{COM}$  voltage with 7-bit accuracy (128 steps). Once the desired  $V_{COM}$  setting is obtained, the settings can be stored in the non-volatile EEPROM memory, which would then be automatically recalled during every power-up.

The  $V_{COM}$  adjustment and non-volatile memory programming is through a single interface pin (CTL). Once the desired programmed value is obtained, the Counter Enable pin (CE) can be used to prevent further adjustment or programming.

The full-scale sink current of the ISL45042 is set using an external resistor connected to the SET pin. The full-scale sink current determines the lowest voltage of the external voltage divider.

The ISL45042 is available in an 8 Ld 3mmx3mm TDFN package with a maximum thickness of 0.8mm for ultra thin LCD panel design.

**Pinout**



**Features**

- 128-Step Adjustable Sink Current Output
- 2.6V to 3.6V Digital Supply Voltage Operating Range (3.0V Minimum Programming Voltage)
- 4.5V to 20V Analog Supply Voltage Operating Range (10.8V Minimum Programming Voltage)
- Rewritable EEPROM for Storing the Optimum  $V_{COM}$  Value
- Output Adjustment Enable/Disable Control
- Output Guaranteed Monotonic Over-Temperature
- Two Pin Adjustment, Programming and Enable
- Ultra Thin 8 Ld 3mmx3mm DFN (0.8mm Max)
- Pb-Free (RoHS Compliant)

**Applications**

- LCD Panels

**Ordering Information**

| PART NUMBER<br>(Notes 1, 2, 3) | PART<br>MARKING | TEMP.<br>RANGE<br>(°C) | PACKAGE<br>(Pb-Free) | PKG.<br>DWG. # |
|--------------------------------|-----------------|------------------------|----------------------|----------------|
| ISL45042IRZ                    | 042Z            | -40 to +85             | 8 Ld 3x3 TDFN        | L8.3x3A        |

NOTES:

1. Add "-T\*" suffix for tape and reel. Please refer to [TB347](#) for details on reel specifications.
2. These Intersil Pb-free plastic packaged products employ special Pb-free material sets, molding compounds/die attach materials, and 100% matte tin plate plus anneal (e3 termination finish, which is RoHS compliant and compatible with both SnPb and Pb-free soldering operations). Intersil Pb-free products are MSL classified at Pb-free peak reflow temperatures that meet or exceed the Pb-free requirements of IPC/JEDEC J STD-020.
3. For Moisture Sensitivity Level (MSL), please see device information page for [ISL45042](#). For more information on MSL please see techbrief [TB363](#).

**Pin Descriptions**

| PIN  | FUNCTION   |
|------|--|
| OUT  | Adjustable Sink Current Output Pin. The current sinks into the OUT pin is equal to the DAC setting times the maximum adjustable sink current divided by 128. See SET pin function in "Pin Descriptions" on page 2 for the maximum adjustable sink current setting.   |
| AVDD | High-Voltage Analog Supply. Connects to top of external resistor divider to determine the $V_{COM}$ voltage. 10.8V to 20V for EEPROM programming, 4.5V to 20V normal operation (before/after programming). Bypass to GND with 0.1µF de-coupling capacitor.   |
| DNC  | Do Not Connect. This pin may be left unconnected or tied to GND. Do not apply any non-zero voltages or signals to this pin.  |
| GND  | Ground connection.   |
| VDD  | Low-Voltage Digital Supply for digital logic. Typically 3V to 3.6V. Bypass to GND with 0.1µF de-coupling capacitor.  |
| CTL  | Internal Counter Up/Down Control and Internal EEPROM Programming Control Input. If CE is high, a mid-to-low transition increments the 7-bit counter, raising the DAC setting, increasing the OUT sink current, and lowering the divider voltage at OUT. A mid-to-high transition decrements the 7-bit counter, lowering the DAC setting, decreasing the OUT sink current, and increasing the divider voltage at OUT. Applying 4.9V and above with appropriately arranged timing will overwrite EEPROM with the contents in the 7-bit counter. See EEPROM Programming section in "Electrical Specifications" table on page 4 for details. |
| CE   | Counter Enable Pin with internal pull-down resistor. Connect CE to VDD to enable adjustment of the output sink current. Float or connect CE to GND to prevent further adjustment or programming.   |
| SET  | Maximum Sink Current Adjustment Point. Connect a resistor from the SET pin to GND to set the maximum adjustable sink current of the OUT pin. The maximum adjustable sink current is equal to $(AVDD/20)$ divided by RSET.  |

**Block Diagram**



**Absolute Maximum Ratings**

|   |               |
|---|---------------|
| V <sub>DD</sub> to GND                    | +4V           |
| Input Voltages to GND                     |               |
| SET, CE                                   | -0.3V to +4V  |
| AVDD                                      | -0.3V to +20V |
| CTL                                       | -0.3V to +17V |
| Output Voltages to GND                    |               |
| OUT                                       | -0.3V to +20V |
| ESD Rating                                |               |
| Human Body Model                          |               |
| Device                                    | 2.75kV        |
| CTL to GND (No EEPROM Content Disruption) | 7kV           |

**Thermal Information**

|   |                      |                      |
|---|----------------------|----------------------|
| Thermal Resistance (Typical, Notes 4, 5)  | $\theta_{JA}$ (°C/W) | $\theta_{JC}$ (°C/W) |
| 8 Ld TDFN Package   | 47                   | 12                   |
| Moisture Sensitivity (see Technical Brief TB363)  |                      |                      |
| All Packages  | Level 1              |                      |
| Maximum Junction Temperature (Plastic Package)  | +150°C               |                      |
| Maximum Storage Temperature Range   | -65°C to +150°C      |                      |
| Pb-free Reflow Profile  | see link below       |                      |
| <a href="http://www.intersil.com/pbfree/Pb-FreeReflow.asp">http://www.intersil.com/pbfree/Pb-FreeReflow.asp</a> |                      |                      |
| Erase/Write Cycles  | 10,000               |                      |
| Data Retention  | 10 years @ +85°C     |                      |

**Operating Conditions**

|                   |                |
|-------------------|----------------|
| Temperature Range |                |
| ISL45042IR        | -40°C to +85°C |

**CAUTION:** Do not operate at or near the maximum ratings listed for extended periods of time. Exposure to such conditions may adversely impact product reliability and result in failures not covered by warranty.

**NOTE:**

- $\theta_{JA}$  is measured in free air with the component mounted on a high effective thermal conductivity test board with “direct attach” features. See Tech Brief TB379.
- For  $\theta_{JC}$ , the “case temp” location is the center of the exposed metal pad on the package underside.

**Electrical Specifications** Test Conditions: V<sub>DD</sub> = 3V, AV<sub>DD</sub> = 18V, R<sub>SET</sub> = 5k $\Omega$ , R1 = 10k $\Omega$ , R2 = 10k $\Omega$ ; Unless Otherwise Specified. Typical values are at T<sub>A</sub> = +25°C

| PARAMETER                                | SYMBOL                | TEST CONDITIONS                | TEMP (°C) | MIN (Note 13)       | TYP | MAX (Note 13)       | UNITS   |
|--|-----------------------|--------------------------------|-----------|---------------------|-----|---------------------|---------|
| <b>DC CHARACTERISTICS</b>                |                       |                                |           |                     |     |                     |         |
| V <sub>DD</sub> Supply Range             | V <sub>DD</sub>       | Range Allowing Programming     | 0 to 85   | 3                   | -   | 3.6                 | V       |
|  |                       | Operation without Programming  | Full      | 2.6                 | -   | 3.6                 | V       |
| V <sub>DD</sub> Supply Current           | I <sub>DD</sub>       | CE = V <sub>DD</sub> (Note 10) | Full      | -                   | -   | 65                  | $\mu$ A |
|  |                       | CE = GND                       | Full      | -                   | -   | 65                  | $\mu$ A |
| AV <sub>DD</sub> Supply Range            | AV <sub>DD</sub>      | Range Allowing Programming     | Full      | 10.8                | -   | 20                  | V       |
|  |                       | Operation without Programming  | Full      | 4.5                 | -   | 20                  | V       |
| AV <sub>DD</sub> Supply Current (Note 7) | I <sub>AVDD</sub>     |                                | Full      |                     |     | 38                  | $\mu$ A |
| CTL High Voltage                         | CTL <sub>IH</sub>     | 2.6V < V <sub>DD</sub> < 3.6V  | Full      | 0.7*V <sub>DD</sub> | -   | 0.8*V <sub>DD</sub> | V       |
| CTL Low Voltage                          | CTL <sub>IL</sub>     | 2.6V < V <sub>DD</sub> < 3.6V  | Full      | 0.2*V <sub>DD</sub> | -   | 0.3*V <sub>DD</sub> | V       |
| CTL High Rejected Pulse Width            | CTL <sub>IHRPW</sub>  |                                | Full      | 20                  | -   | -                   | $\mu$ s |
| CTL Low Rejected Pulse Width             | CTL <sub>ILRPW</sub>  |                                | Full      | 20                  | -   | -                   | $\mu$ s |
| CTL High Minimum Pulse Width             | CTL <sub>IHMPPW</sub> |                                | Full      | -                   | -   | 200                 | $\mu$ s |
| CTL Low Minimum Pulse Width              | CTL <sub>ILMPPW</sub> |                                | Full      | -                   | -   | 200                 | $\mu$ s |
| CTL Minimum Time Between Counts          | CTL <sub>MTC</sub>    |                                | Full      | -                   | -   | 10                  | $\mu$ s |
| CTL Input Current                        | ICTL                  | CTL = GND                      | Full      | -                   | -   | 10                  | $\mu$ A |
|  |                       | CTL = V <sub>DD</sub>          | Full      | -                   | -   | 10                  | $\mu$ A |
| CTL Input Capacitance                    | CTL <sub>CAP</sub>    | (Note 9)                       | Full      | -                   | 10  | -                   | pF      |
| CE Input Low Voltage                     | CE <sub>IL</sub>      | 2.6V < V <sub>DD</sub> < 3.6V  | Full      | -                   | -   | 0.4                 | V       |
| CE Input High Voltage                    | CE <sub>IH</sub>      | 2.6V < V <sub>DD</sub> < 3.6V  | Full      | 0.7*V <sub>DD</sub> | -   | -                   | V       |
| CE Minimum Start-Up Time                 | CE <sub>ST</sub>      | (Note 9)                       | Full      | -                   | 1   | -                   | ms      |

**Electrical Specifications** Test Conditions:  $V_{DD} = 3V$ ,  $AV_{DD} = 18V$ ,  $R_{SET} = 5k\Omega$ ,  $R1 = 10k\Omega$ ,  $R2 = 10k\Omega$ ; Unless Otherwise Specified.  
 Typicals are at  $T_A = +25^\circ C$  (Continued)

| PARAMETER                          | SYMBOL              | TEST CONDITIONS   | TEMP (°C) | MIN (Note 13)           | TYP   | MAX (Note 13) | UNITS     |
|------------------------------------|---------------------|---|-----------|-------------------------|-------|---------------|-----------|
| CTL EEPROM Program Voltage         | CTL <sub>PROM</sub> | $2.6V < V_{DD} < 3.6V$ , (Note 6)                                     | Full      | 4.9                     | -     | 15.75         | V         |
| CTL EEPROM Programming Signal Time | CTL <sub>PT</sub>   | $>4.9V$   | Full      | 200                     | -     | -             | $\mu s$   |
| Programming Time                   | P <sub>T</sub>      |   | Full      | -                       | -     | 100           | ms        |
| SET Voltage Resolution             | SET <sub>VR</sub>   | (Note 8)  | Full      | 7                       | 7     | 7             | Bits      |
| SET Differential Nonlinearity      | SET <sub>DN</sub>   | Monotonic Over-Temperature  | Full      | -                       | -     | $\pm 1$       | LSB       |
| SET Zero-Scale Error               | SET <sub>ZSE</sub>  |   | Full      | -                       | -     | $\pm 3$       | LSB       |
| SET Full-Scale Error               | SET <sub>FSE</sub>  |   | Full      | -                       | -     | $\pm 8$       | LSB       |
| SET Current                        | I <sub>SET</sub>    | Through R <sub>SET</sub> (Note 11)                                    | Full      | -                       | 20    | -             | $\mu A$   |
| SET External Resistance            | SET <sub>ER</sub>   | To GND, $AV_{DD} = 20V$   | Full      | 10                      | -     | 200           | $k\Omega$ |
|                                    |                     | To GND, $AV_{DD} = 4.5V$  | Full      | 2.25                    | -     | 45            | $k\Omega$ |
|                                    |                     | To GND, $AV_{DD} = 15V$ , $V_{DD} = 3V$<br>$V_{OUT} > 2.5V$ (Note 12) | Full      | 1                       | -     | 200           | $k\Omega$ |
| AVDD to SET Voltage Attenuation    | AVDD to SET         |   | Full      | -                       | 1:20  | -             | V/V       |
| OUT Settling Time                  | OUT <sub>ST</sub>   | To $\pm 0.5$ LSB Error Band (Note 9)                                  | Full      | -                       | 20    | -             | $\mu s$   |
| OUT Voltage Range                  | V <sub>OUT</sub>    |   | Full      | V <sub>SET</sub> + 0.5V | -     | 13            | V         |
| OUT Voltage Drift                  | OUT <sub>VD</sub>   | $25^\circ C < T_A < 55^\circ C$ (Note 9)                              | 25 to 55  | -                       | $<10$ | -             | mV        |

## NOTES:

6. CTL signal only needs to be greater than 4.9V to program EEPROM.
7. Tested at  $AV_{DD} = 20V$ .
8. The Counter value is set to mid-scale  $\pm 4$  LSB's in the Production.
9. Simulated and Determined via Design and NOT Directly Tested.
10. Simulated Maximum Current Draw when Programming EEPROM is 23mA; should be considered when designing Power Supply.
11. A Typical Current of 20 $\mu A$  is Calculated using  $AV_{DD} = 10V$  and  $R_{SET} = 24.9k\Omega$ . Reference "RSET Resistor" on page 6.
12. Minimum value of R<sub>SET</sub> resistor guaranteed when:  $AV_{DD} = 15V$ ,  $V_{DD} = 3.0V$  and when voltage on the V<sub>OUT</sub> pin is greater than 2.5V. Reference Equation 2 on page 6 with Setting = 128.
13. Compliance to datasheet limits is assured by one or more methods: production test, characterization and/or design.

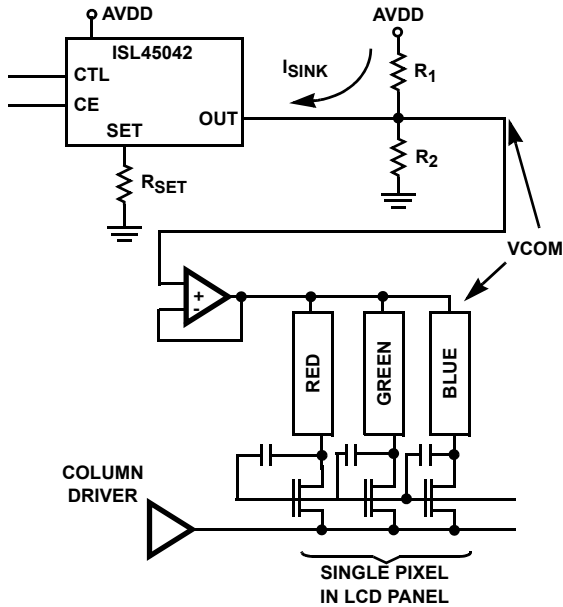


FIGURE 1. VCOM ADJUSTMENT IN AN LCD PANEL

### Application Information

The application circuit to adjust the  $V_{COM}$  voltage in an LCD panel is shown in Figure 1. The ISL45042 has a 128-step sink current resolution. The output is connected to an external voltage divider that decreases the output  $V_{COM}$  voltage as you increase the ISL45042 sink current.

#### CTL Pin

The adjustment of the output  $V_{COM}$  voltage and the programming of the non-volatile memory are provided through a single pin called CTL when the CE pin is high.

The output  $V_{COM}$  voltage is increased with a mid ( $V_{DD}/2$ ) to high transition ( $0.8 \cdot V_{DD}$ ) on the CTL pin. The output  $V_{COM}$  voltage is decreased with a mid ( $V_{DD}/2$ ) to low transition ( $0.3 \cdot V_{DD}$ ) on the CTL pin (see Figure 8). Once the minimum or maximum value is reached on the 128 steps, the device will not overflow or underflow beyond that minimum or maximum value.

Programming of the non-volatile memory occurs when the CTL pin exceeds 4.9V. The CTL signal needs to remain above 4.9V for more than 200 $\mu$ s. The level and timing needed to program the non-volatile memory is given in

Figure 2. It then takes a maximum of 100ms for the programming to be completed inside the device.



FIGURE 2. EEPROM PROGRAMMING

When the part is programmed, the counter setting is loaded into the non-volatile memory. This value will be loaded from the non-volatile memory during initial power-up or when the CE pin is pulled low.

Once the programming is completed, it is recommended that the user float the CTL pin. The CTL pin is internally tied to a resistor network connected to ground. If left floating, the voltage at the CTL pin will equal  $V_{DD}/2$ . Under these conditions, no additional pulses will be seen by the Up/Down counter via the CTL pin. To prevent further programming, ground the CE pin.

CTL should have a noise filter to reduce bouncing or noise on the input that could cause unwanted counting when the CE pin is high. The board should have an additional ESD protection circuit, with a series 1k $\Omega$  resistor and a shunt 0.01 $\mu$ F capacitor connected on the CTL pin, (see Figure 3).

To avoid unintentional adjustment, the ISL45042 guarantees to reject CTL pulses shorter than 20 $\mu$ s.

During Initial Power-up (only), to avoid the possibility of a false pulse (since the internal comparators come up in an unknown state), the very first CTL pulse is ignored. See Figure 8 for the timing information.

#### CE Pin

To adjust the output voltage, the CE pin must be pulled high ( $V_{DD}$ ). The CE pin has an internal pull-down resistor to prevent unwanted reprogramming of the EEPROM. To minimize current consumption, the impedance of this resistor is high: 400k $\Omega$  to 5M $\Omega$  (see  $R_{INTERNAL}$  in Figure 7).

Transitions of the CE pin are recommended to be less than 10 $\mu$ s.

#### Replacing Existing Mechanical Potentiometer Circuits

Figure 4 shows the common adjustment mechanical circuits and equivalent replacement with the ISL45042.

**Expected Output Voltage**

The ISL45042 provides an output sink current, which lowers the voltage on the external voltage divider ( $V_{COM}$  output voltage). Equations 1 and 2 can be used to calculate the output current ( $I_{OUT}$ ) and output voltage ( $V_{OUT}$ ) values.

$$I_{OUT} = \frac{\text{Setting}}{128} \times \frac{AV_{DD}}{20(R_{SET})} \quad (\text{EQ. 1})$$

$$V_{OUT} = \left( \frac{R_2}{R_1 + R_2} \right) AV_{DD} \left( 1 - \frac{\text{Setting}}{128} \times \frac{R_1}{20(R_{SET})} \right) \quad (\text{EQ. 2})$$

(Where “Setting” is an integer between 1 and 128.)



**FIGURE 3. EXTERNAL ESD PROTECTION ON CTL PIN**

Table 1 gives the calculated value of  $V_{OUT}$  for resistors values of:  $R_{SET} = 24.9k\Omega$ ,  $R_1 = 200k\Omega$ ,  $R_2 = 243k\Omega$ , and  $AV_{DD} = 10V$ .

**TABLE 1. CALCULATED VCOM OUTPUT VOLTAGES**

| SETTING VALUE | $V_{OUT}$ |
|---------------|-----------|
| 1             | 5.468     |
| 10            | 5.313     |
| 20            | 5.141     |
| 30            | 4.969     |
| 40            | 4.797     |
| 50            | 4.625     |
| 60            | 4.453     |
| 70            | 4.281     |
| 80            | 4.109     |

**TABLE 1. CALCULATED VCOM OUTPUT VOLTAGES**

| SETTING VALUE | $V_{OUT}$ |
|---------------|-----------|
| 90            | 3.936     |
| 100           | 3.764     |
| 110           | 3.592     |
| 128           | 3.282     |

**$R_{SET}$  Resistor**

The external  $R_{SET}$  resistor sets the full-scale sink current that determines the lowest voltage of the external voltage divider  $R_1$  and  $R_2$  (see Figure 1). The voltage difference between the  $V_{OUT}$  pin and  $I_{SET}$  pin (see Figure 5) has to be greater than 1.75V. This will keep the output MOS transistor in the saturation region. Expected current settings and 7-bit accuracy occurs when the output MOS transistor is operating in the saturation region. Figure 5 shows the internal connection for the output MOS transistor. The value of the  $AV_{DD}$  supply sets the voltage at the source of the output transistor. This voltage is equal to  $(\text{Setting}/128) \times (AV_{DD}/20)$ . The  $I_{SET}$  current is therefore equal to  $(\text{Setting}/128) \times (AV_{DD}/20 \times R_{SET})$ . The value of the Drain voltage is found using Equation 2. The values of  $R_1$  and  $R_2$  in Equation 2, should be determined (setting equal to 128) so the minimum value of  $V_{OUT}$  is greater than  $1.75V + AV_{DD}/20$ .



**FIGURE 5. OUTPUT CONNECTION CIRCUIT EXAMPLE**



**FIGURE 4. EXAMPLE OF THE REPLACEMENT FOR THE MECHANICAL POTENTIOMETER CIRCUIT USING THE ISL45042**

### Power Supply Sequence

The recommended power supply sequencing is shown in Figure 6. When applying power, VDD should be applied before or at the same time as AVDD. The minimum time for  $t_{VS}$  is 0 $\mu$ s. When removing power, the sequence of VDD and AVDD is not important. Do not remove VDD or AVDD within 100ms of the start of the EEPROM programming cycle. Removing power before the EEPROM programming cycle is completed may result in corrupted data in the EEPROM.



FIGURE 6. POWER SUPPLY SEQUENCE

### Verifying the Programmed Value

The following sequence can be used to verify the programmed value without having to sequence the VDD supply. To verify the programmed value, follow the following steps. The ISL45042 will read memory contents and be set to that value when the CE pin is grounded.

1. Power-up the ISL45042.
2. CE pin = VDD.
3. Change counter value with CTL pin to desired value.
4. CTL = more than 4.9V and 200ms. Counter value programmed.
5. Change the counter value with CTL pin to a different value.
6. CE pin = Ground.
7. Check that the output value is the one programmed in Step 4.

### Generating VDD and CE supply from a Larger Voltage Source

The CE pin has an internal pull-down resistor (see  $R_{INTERNAL}$  in Figure 7). The impedance of this resistor is 400k $\Omega$  to 5M $\Omega$ . If your design is using a resistor divider network to generate the 3.3V supply (for both VDD and CE to enable programming) from a larger voltage source, the 400k $\Omega$  (worst case) resistor needs to be taken into account as a parallel resistance when the CE pin is connected to this source. Another design concern is to be able to provide enough supply current during programming. The ISL45042 draws about 2mA during this process. Recommended resistor values are shown in Figure 7. This design will result in an additional 0.83mA quiescent current flowing through resistors  $R_A$  and  $R_B$ .



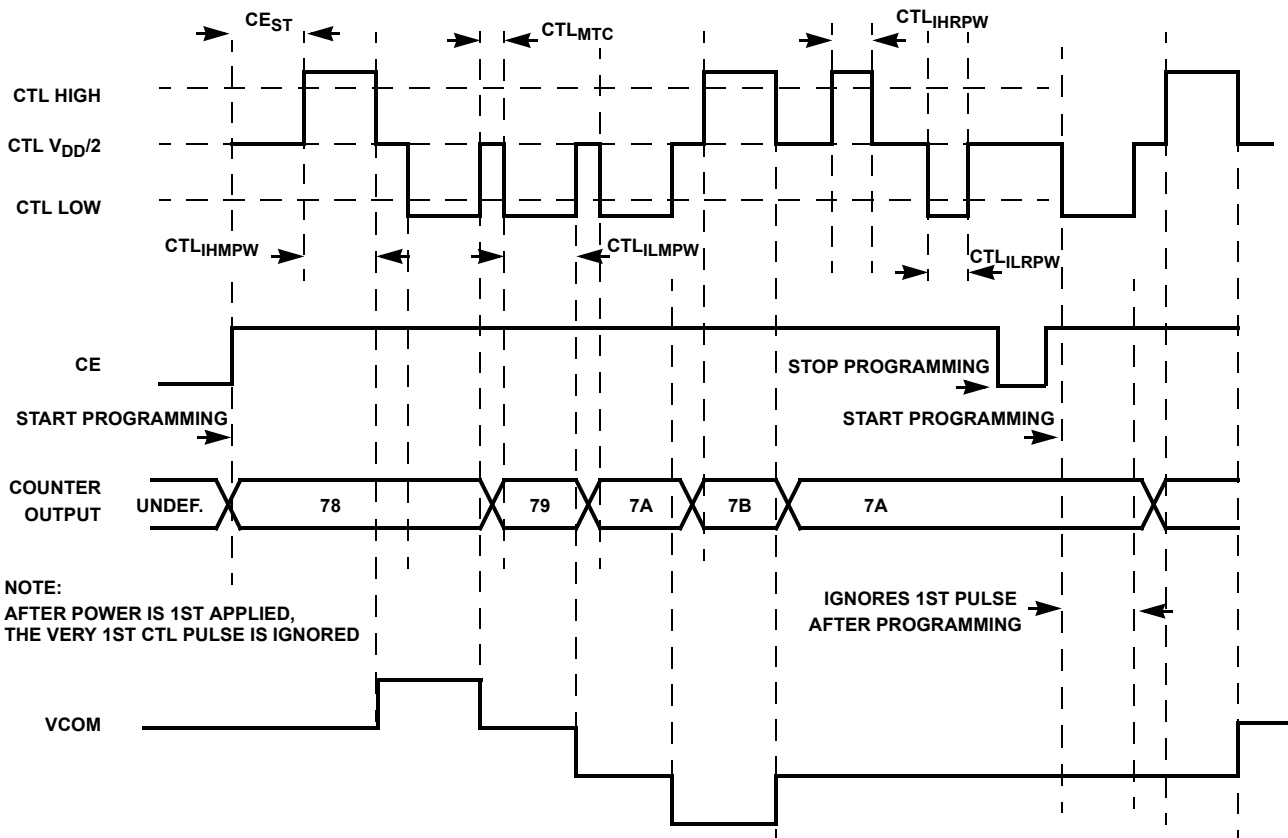
FIGURE 7. APPLICATION GENERATING VDD AND VCE VOLTAGES

**ISL45042 Truth Table**

The ISL45042 truth table is shown in Table 2. For proper operation the CE should be disabled (pulled low) before powering the device down to assure that the glitches and transients will not cause unwanted EEPROM overwriting.

**TABLE 2. TRUTH TABLE**

| INPUT     |    |     | OUTPUT    |           |         |
|-----------|----|-----|-----------|-----------|---------|
| CTL       | CE | VDD | OUT       | ICC       | MEMORY  |
| Mid to Hi | Hi | VDD | Increment | Normal    | X       |
| Mid to Lo | Hi | VDD | Decrement | Normal    | X       |
| X         | Lo | VDD | No Change | Increased | Read    |
| >4.9V     | Hi | VDD | No Change | Increased | Program |



THE TIMING DIAGRAM ABOVE SHOWS POST POWER-UP TIMING.

**FIGURE 8. ISL45042 TIMING DIAGRAM**

© Copyright Intersil Americas LLC 2004-2011. All Rights Reserved.  
 All trademarks and registered trademarks are the property of their respective owners.

For additional products, see [www.intersil.com/en/products.html](http://www.intersil.com/en/products.html)

Intersil products are manufactured, assembled and tested utilizing ISO9001 quality systems as noted in the quality certifications found at [www.intersil.com/en/support/qualandreliability.html](http://www.intersil.com/en/support/qualandreliability.html)

*Intersil products are sold by description only. Intersil may modify the circuit design and/or specifications of products at any time without notice, provided that such modification does not, in Intersil's sole judgment, affect the form, fit or function of the product. Accordingly, the reader is cautioned to verify that datasheets are current before placing orders. Information furnished by Intersil is believed to be accurate and reliable. However, no responsibility is assumed by Intersil or its subsidiaries for its use; nor for any infringements of patents or other rights of third parties which may result from its use. No license is granted by implication or otherwise under any patent or patent rights of Intersil or its subsidiaries.*

For information regarding Intersil Corporation and its products, see [www.intersil.com](http://www.intersil.com)

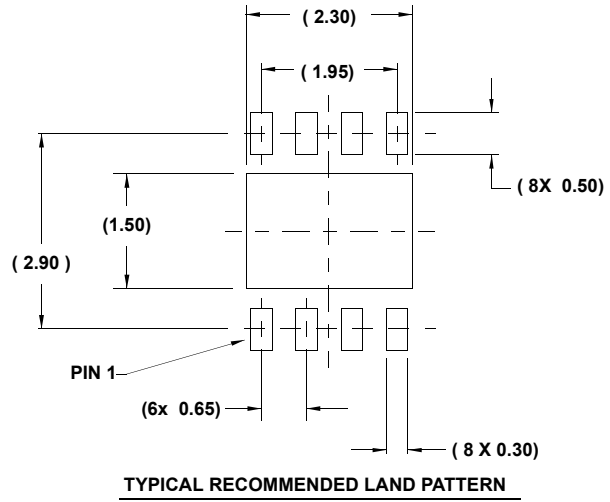


# Package Outline Drawing

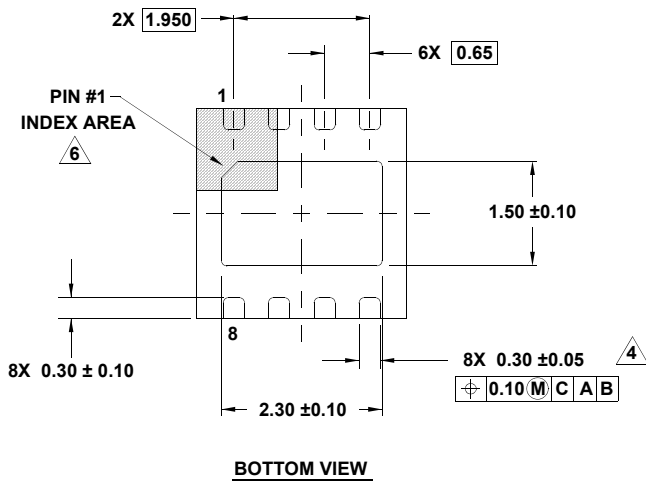
**L8.3x3A**  
**8 LEAD THIN DUAL FLAT NO-LEAD PLASTIC PACKAGE**  
 Rev 4, 2/10



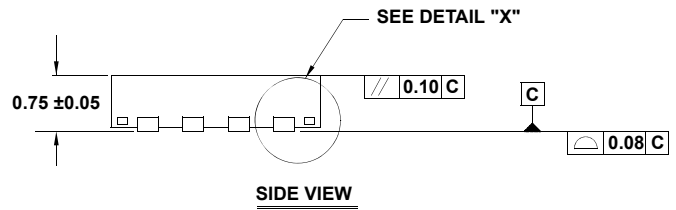
**TOP VIEW**



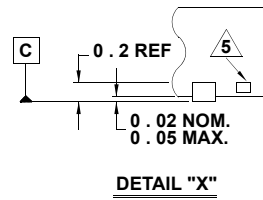
**TYPICAL RECOMMENDED LAND PATTERN**



**BOTTOM VIEW**



**SIDE VIEW**



**DETAIL "X"**

**NOTES:**

1. Dimensions are in millimeters.  
Dimensions in ( ) for Reference Only.
2. Dimensioning and tolerancing conform to ASME Y14.5m-1994.
3. Unless otherwise specified, tolerance : Decimal ± 0.05
4. Dimension applies to the metallized terminal and is measured between 0.15mm and 0.20mm from the terminal tip.
5. Tiebar shown (if present) is a non-functional feature.
6. The configuration of the pin #1 identifier is optional, but must be located within the zone indicated. The pin #1 identifier may be either a mold or mark feature.
7. Compliant to JEDEC MO-229 WEEC-2 except for the foot length.