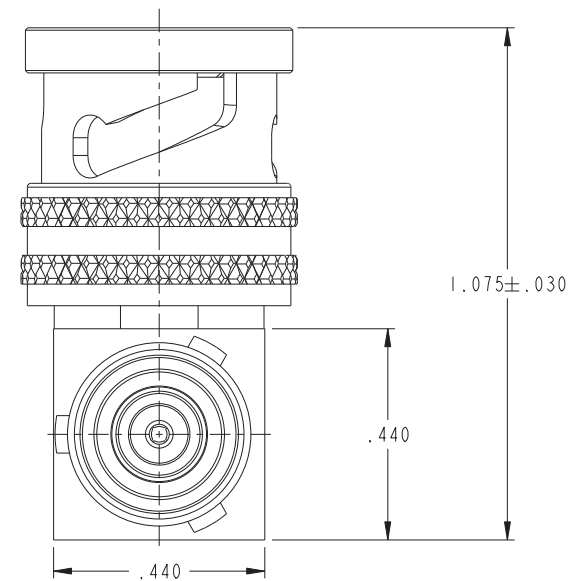
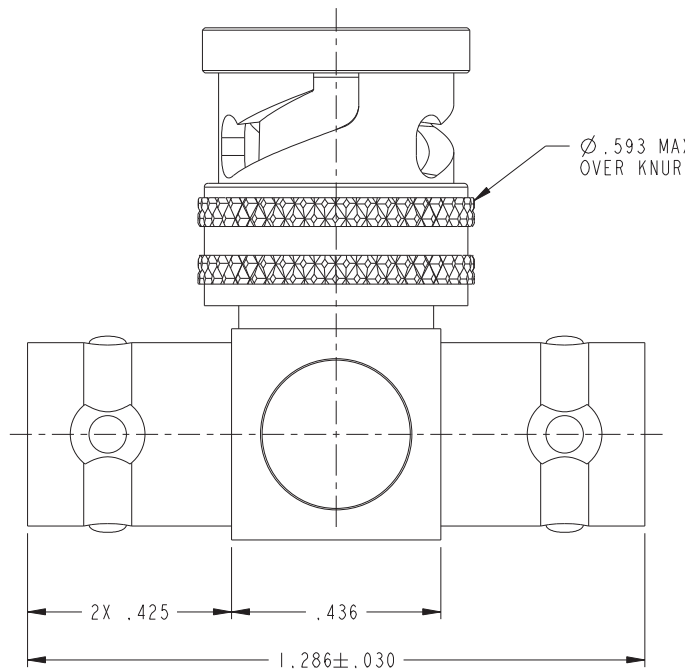
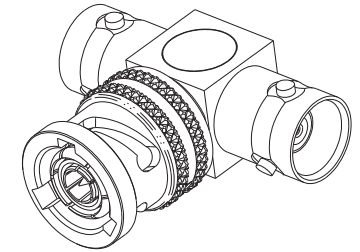


DASH NUMBER	MODEL NUMBER	CONNECTOR TYPE
-1	BN73	3-LUG
-2	BN73TL	2-LUG
-3	BN73FL	4-LUG
-4	BN373	THREADED

ZONE	REV	ECO	DESCRIPTION	APPROVER	DATE
	L	16615		L.M.	7/25/08
	M	53698		T. KOHLER	9/30/11



-1 SHOWN

2. FINISH: NICKEL

1. CONCENTRIC TWINAX/TRIAX 2-LUG, 3-LUG, 4-LUG, & THREADED BAYONET TEE

	MODEL NO.						
	CAGE CODE 14949						
<small>This PROPRIETARY Document is property of Cinch Connectivity Solutions. It is confidential in nature, non-transferable, and issued with the clear understanding that it is not traced or copied without permission and is returnable upon demand.</small>	UNLESS OTHERWISE SPECIFIED UNITS: INCH	DRAWN BY C. WALLACE	DATE 10/3/11	DRAWING NO. 3-0004	REV. M	FINISH	
	.XX ± .02 .XXX ± .010 ANGLE ± 1° 00' CRITICAL	APPROVED BY T. KOHLER	DATE 10/4/11	DATE 10/4/11	SIZE C	DO NOT SCALE DRAWING	SCALE 5:1