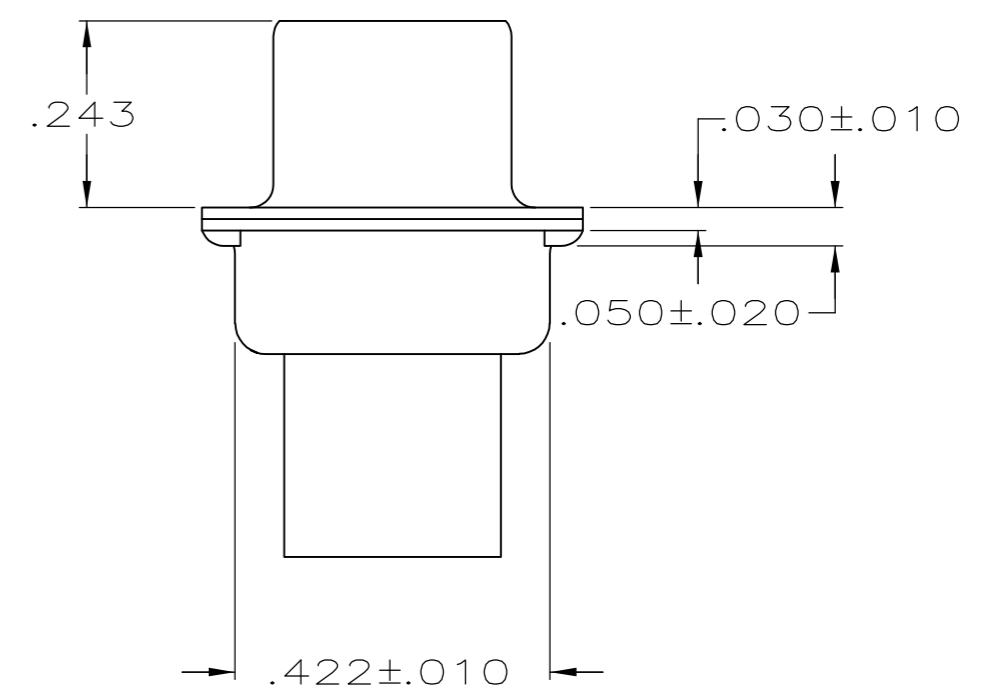
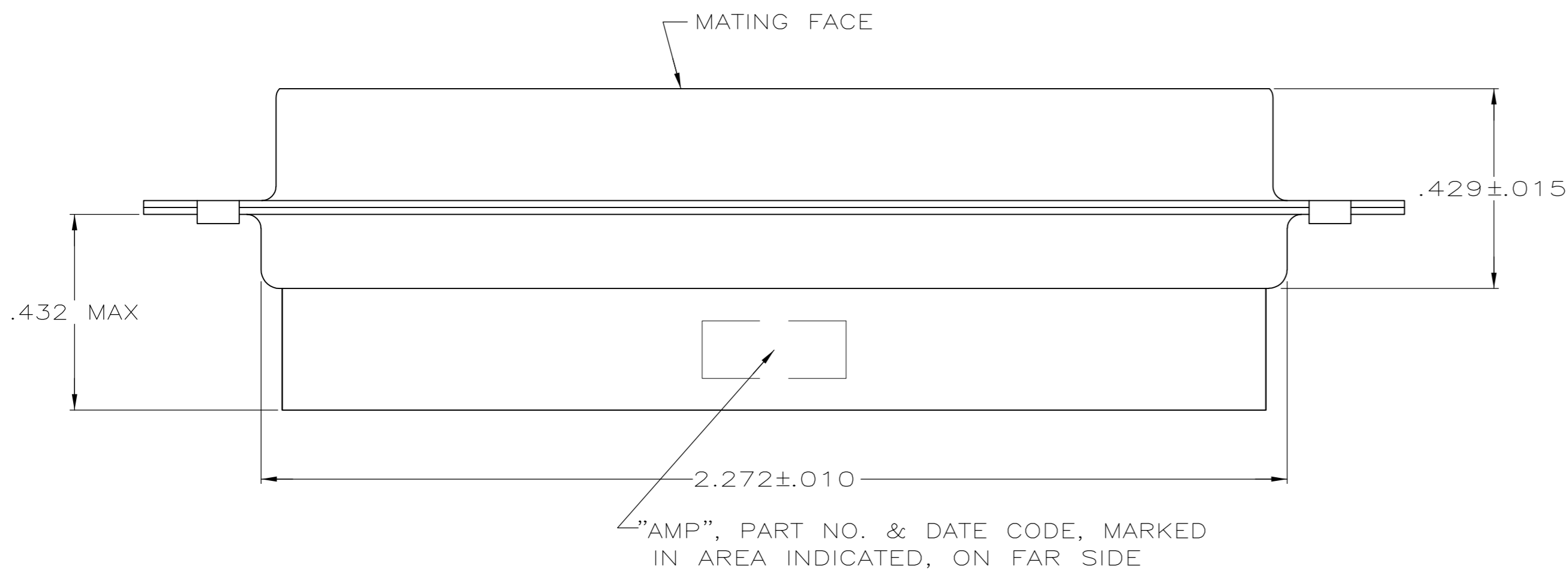
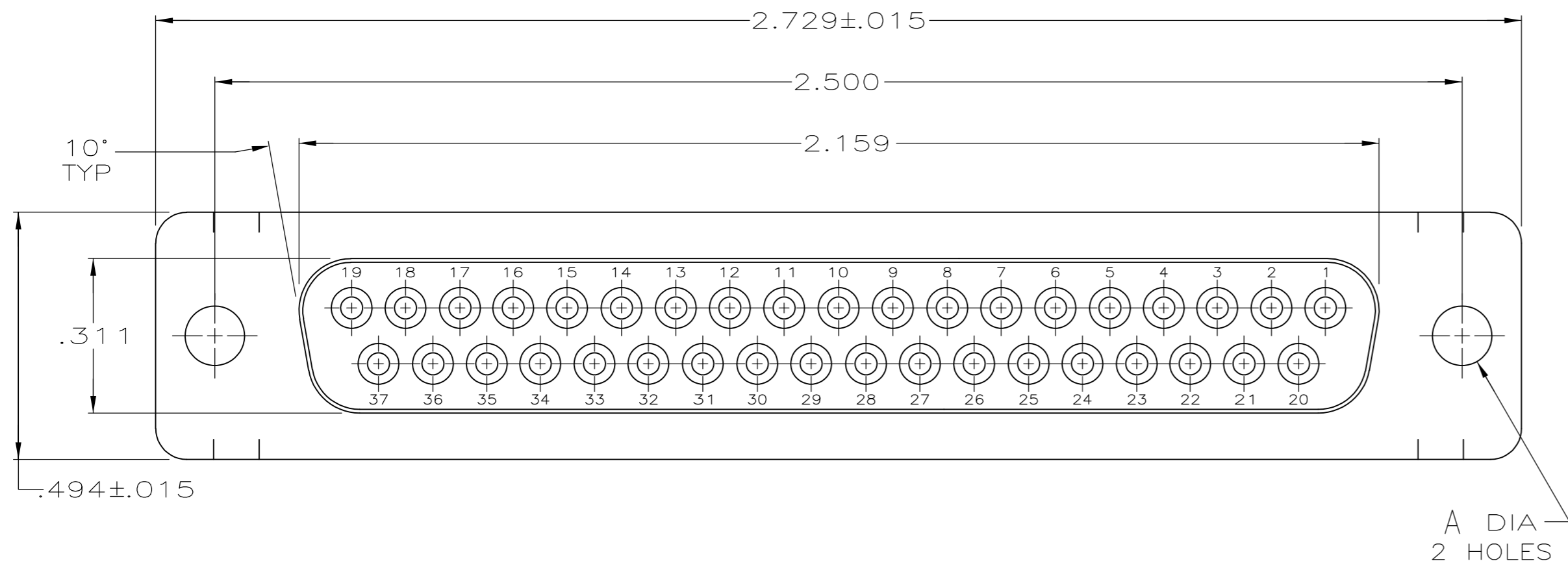


THIS DRAWING IS UNPUBLISHED. RELEASED FOR PUBLICATION
 © COPYRIGHT - By - ALL RIGHTS RESERVED.

| LOC | | DIST | | REVISIONS | | | |
|-----|-----|-------------|---------------------------|-----------|-----|------|--|
| P | LTR | DESCRIPTION | | DATE | DWN | APVD | |
| GP | 00 | L | REVISED PER ECO-14-011808 | 09AUG2014 | AP | SB | |



- CONNECTOR ACCEPTS SIZE 20 DF SOCKET CONTACTS, RETENTION TINES ARE AN INTEGRAL PART OF INSERT.
- CONNECTOR COMPLIES WITH 108-40005 WHERE APPLICABLE.
- GLASS-FILLED PBT OR GLASS-FILLED NYLON, UL94V-0 RATED. COLOR: BLACK
- STEEL PER ASTM A109.
- ZINC PLATED PER ASTM B633; TYPE II; CLASS SC1; YELLOW CHROMATE.
- TIN OR TIN-LEAD PLATED PER MIL-T-10727.
- TIN PLATED PER MIL-T-10727 OVER COPPER PER MIL-C-14550.
- ZINC PLATED .000200-.000400 THICK, YELLOW TRIVALENT CHROMIUM CHROMATE COATING.

| PACKAGING TYPE | SHELL FINISH | A | PART NUMBER |
|----------------|--------------|------|-------------|
| STANDARD | 8 | .120 | 205209-7 |
| SMALL PACK | 5 | .120 | 205209-6 |
| STANDARD | 6 | .154 | 205209-3 |
| STANDARD | 7 | .120 | 205209-2 |
| STANDARD | 5 | .120 | 205209-1 |

SUPERSEDED BY 205209-1
 OBSOLETE

THIS DRAWING IS A CONTROLLED DOCUMENT.

| | |
|----------------------|--|
| DWN S.WELDON 7-19-85 | TE Connectivity |
| CHK J.GERACE 7-29-85 | |
| APVD - | NAME |
| PRODUCT SPEC - | RECEPTACLE CONNECTOR, SIZE 4, 37 POSITION, AMPLIMITE HDP |
| APPLICATION SPEC - | SIZE CAGE CODE DRAWING NO RESTRICTED TO |
| WEIGHT - | A2 00779 C-205209 |
| CUSTOMER DRAWING | SCALE 4:1 SHEET 1 of 1 REV L |