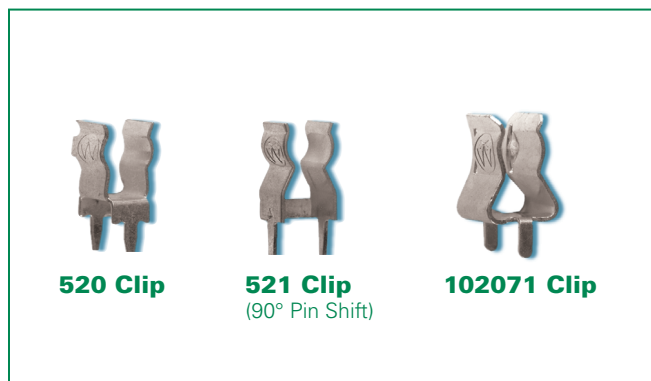
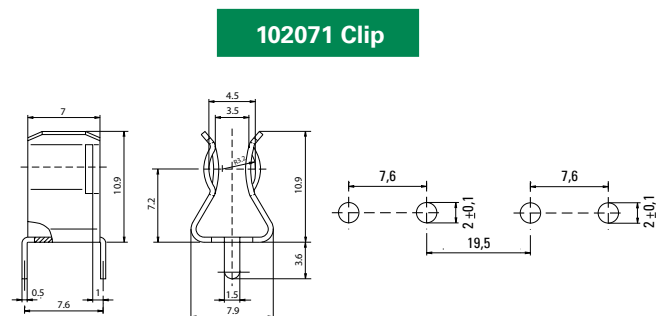
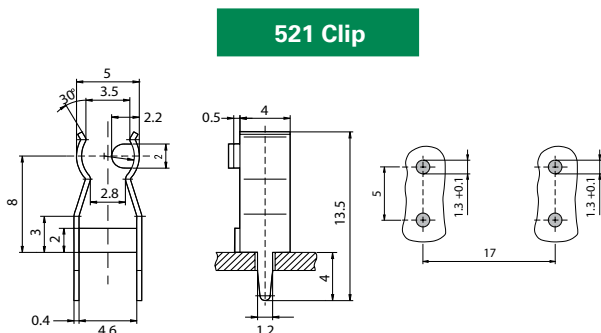
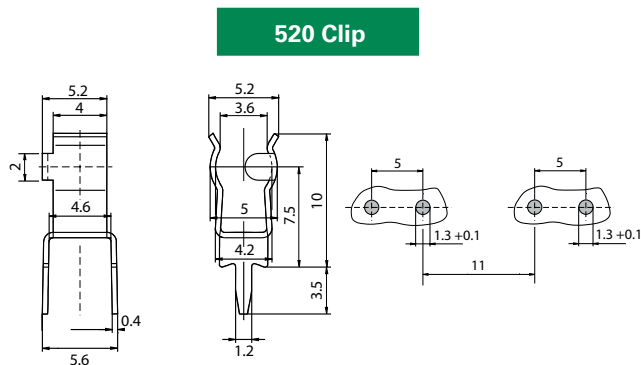



520/521/102071 Series Circuit Board Mount Fuse Clips for 5mm & 6.3mm Diameter Fuses












Product Dimensions



Product Characteristics			
	520 Clip	521 Clip	102071 Clip
Compatible Fuse Size	5mm Diameter		6.3mm Diameter
Electrical Data (23°C)	Rated Voltage: 250V		Rated Voltage: 500V
	Max. Current/Power: 6.3A/2.5W		Max. Current/Power: 10A/4W
Mounting	PC Board, 5mm pin spacing Solder pins 0.4x1.2mm		PC Board, 7.6 mm pin spacing Solder pins 0.5x1.5 mm
Solderability	245°C maximum, 3 sec. maximum (IEC 60068-2-20)		N/A
Soldering Heat Resistance	260°C, 10 sec. (IEC 60068-2-20)		N/A
Minimum Cross Section	Conducting path - 0.2mm ²		
Unit Weight	0.4g		0.9g
UL Agency Approval	N/A	N/A	N/A

Agency Approval			
Agency	Agency File Number		
	520 Clip	521 Clip	102071 Clip
	N/A	N/A	E1472

Ordering Information			
Ordering PN	Clip Material	Plating	Packaging Available
52000001009	Phos Bronze	Tin plated	Bulk 2000
52100001009	Phos Bronze	Tin plated	Bulk 2000
10207101009	Brass	Tin plated	Bulk 1000

Additional Information		
 Datasheet 520 Series	 Resources 520 Series	 Samples 520 Series
 Datasheet 521 Series	 Resources 521 Series	 Samples 521 Series
 Datasheet 102071 Series	 Resources 102071 Series	 Samples 102071 Series