

BUSBAR ORDERING INFORMATION

Please consider the following criteria when choosing the proper busbar:

1. Number of phases
2. Number of devices / MMCs
3. Number of poles/number of pins
4. Sum of out going device currents *

Type/Cat. No. Designation:

$\frac{3}{(A)} \frac{P}{(B)} \frac{25}{(C)} \frac{U}{(D)} \frac{3}{(E)} \frac{H}{(F)} / \overline{(G)}$

(A) = Number of transverse copper strips inserted. (Can be 1, 2 or 3 for 1, 2 or 3 phases)

(B) = Pin version

(C) = **18mm²** or **25mm²** cross-section area

(D) = **USA** and **Canada** design basics

(E) = 1 or 3 track insulation

(F) = Blank - No Spacing
H-Auxiliary Switch (1/2 pole spacing)

(G) = Total number of pins

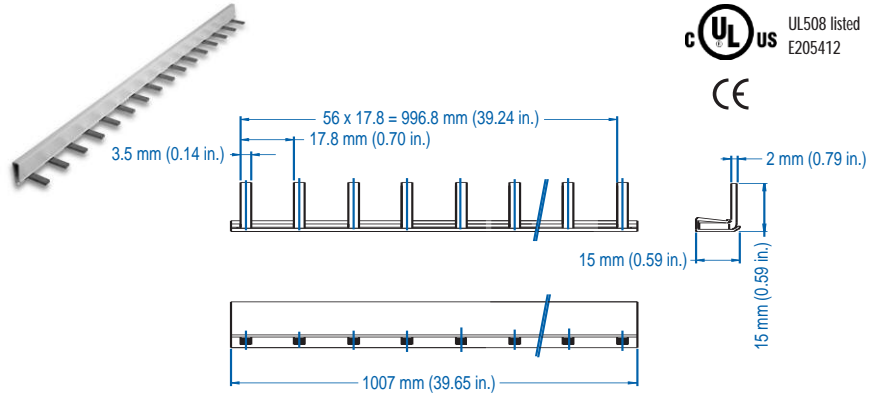
Technical Specifications:

- Material of Busbar: E-Cu58 F25 Copper
- Insulation Track Material: Bergamid B700 Plastic (130°C)
- Electrical Ratings:
 - 18mm²: 80A/480VAC
 - 25mm²: 100A/480VAC
- Manufactured according to VDE 0660 Part 100 and 502, VDE 0606, VDE 0659

NOTES:

- * Do not exceed the busbars rated current.
- ** For additional pin configurations, please consult Altech.

1 PHASE

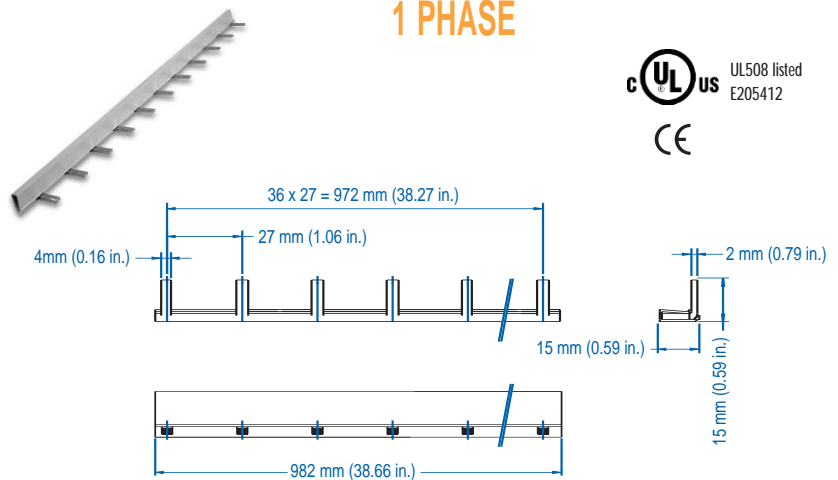


UL508 listed
E205412



18mm ² Type/Cat. No.	No. of Pins **	No. of MMC to Jumper	Length mm
1P18U1/2	2	2x1 pole	32
1P18U1/4	4	4x1 pole	68
1P18U1/8	8	8x1 pole	144
1P18U1/12	12	12x1 pole	208
1P18U1/24	24	24x1 pole	420
1P18U1/36	36	36x1 pole	638
1P18U1/48	48	48x1 pole	852
1P18U1/57	57	57x1 pole	1009

1 PHASE



UL508 listed
E205412



With Auxiliary Switch (1/2 pole) Spacing

18mm ² Type/Cat. No.	No. of Pins **	No. of MMC to Jumper	Length mm
1P18U1H/2	2	2x1 pole	48
1P18U1H/4	4	4x1 pole	102
1P18U1H/8	8	8x1 pole	206
1P18U1H/12	12	12x1 pole	314
1P18U1H/18	18	18x1 pole	472
1P18U1H/24	24	24x1 pole	640
1P18U1H/30	30	30x1 pole	804
1P18U1H/37	37	37x1 pole	982

For one pole spacing busbars, please consult Altech.