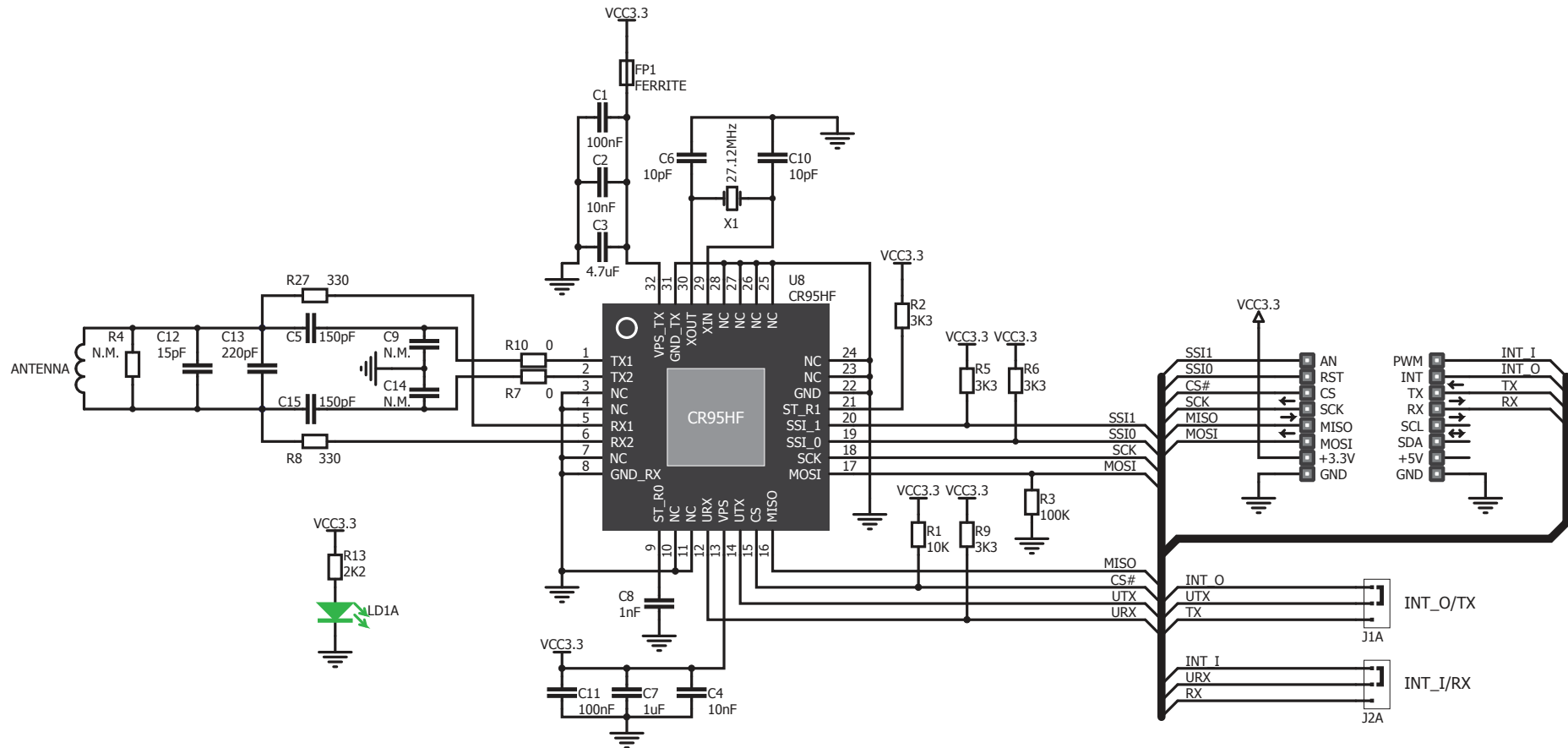


RFid click board™ Schematic v100



www.mikroe.com