



(4.00 mm) .1575"

IJ5C SERIES

50 Ω HIGH ISOLATION RF CABLE ASSEMBLY

SPECIFICATIONS

For complete specifications and recommended PCB layouts see www.samtec.com?IJ5C

Insulator Material: Black LCP

Contact Material: Copper Alloy

Pin Material: Copper Alloy

Dielectric Material: Black LCP

Plating: Au over 50 μ" (1.27 μm) Ni

Operating Temp Range: -40 °C to +90 °C

RoHS Compliant: Yes

Cable (-1):

Conductor Size: 26 AWG, (0.48 mm) .019" dia.

Conductor Material: Silver Plated Copper

Insulator Diameter: (1.27 mm) .050"

Insulator Material: Foamed FEP

Shield Material: Silver Plated Copper

Jacket Material: FEP

Jacket Diameter: (1.80 mm) .071"

Bend Radius: 3.175 mm

Impedance: 50 Ω

Current Rating: 2.5 A

RoHS Compliant: Yes

Cable (-2):

Conductor Size: 26 AWG, (0.51 mm) .020" dia.

Conductor Material: Silver and Copper Plated Steel Wire

Insulator Diameter: (1.52 mm) .060"

Insulator Material: PTFE

Shield Material: Silver Plated Copper Wire

Jacket Material: FEP

Jacket Diameter: (2.54 mm) .100"

Bend Radius: 12.7 mm

Impedance: 50 Ω

Current Rating: 5 A DC

RoHS Compliant: Yes

RECOGNITIONS

For complete scope of recognitions see www.samtec.com/quality



Note: This Series is non-standard, non-returnable.

Mates with:
IP5

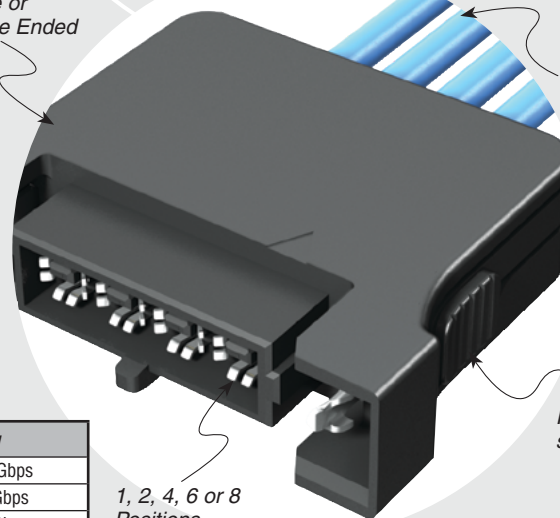
EDGE RATE[®]
CONTACT



- Edge Rate[®] Contacts
- Positive Latching

Single or Double Ended

High-performance 26 AWG coax cable



Positive latching system

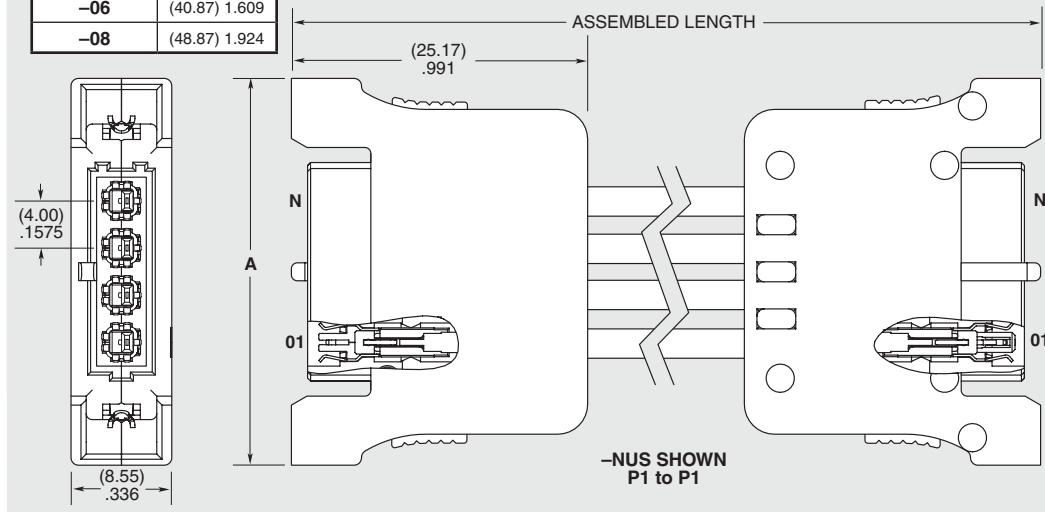
1, 2, 4, 6 or 8 Positions

1 Meter Cable Assembly	Frequency
Insertion Loss = 3 dB	9.5 GHz / 19.0 Gbps
Return Loss = 15 dB	2.2 GHz / 4.4 Gbps
Isolation = 60 dB	3.1 GHz / 6.2 Gbps

Performance and complete test data available at www.samtec.com?IJ5C or contact sig@samtec.com

IJ5C	NO. OF POSITIONS	ASSEMBLED LENGTH	PLATING OPTION	END OPTION	END 2 OPTION	CABLE TYPE
	-01, -02, -04, -06, -08	- "XXXX" = Assembled Length in millimeters -0100 to -1000 (100 mm) 3.94" minimum	-S = 30 μ" (0.76 μm) Gold on contact	-S = Single Ended -D = Double Ended	-NUS = Notch up, straight P1 to P1 -NDS = Notch down, straight P1 to PN	-1 = CTB-2650F-01 cable -2 = RG 316 cable

NO. OF POSITIONS	A
-01	(20.87) .822
-02	(24.87) .979
-04	(32.87) 1.294
-06	(40.87) 1.609
-08	(48.87) 1.924



Due to technical progress, all designs, specifications and components are subject to change without notice.

WWW.SAMTEC.COM

All parts within this catalog are built to Samtec's specifications. Customer specific requirements must be approved by Samtec and identified in a Samtec customer-specific drawing to apply.