

# 74AXP1T57

## Dual supply configurable multiple function gate

Rev. 5 — 3 July 2017

Product data sheet

## 1 General description

The 74AXP1T57 is a dual supply configurable multiple function gate with Schmitt-trigger inputs. It features three inputs (A, B and C), an output (Y) and dual supply pins ( $V_{CCI}$  and  $V_{CCO}$ ). The inputs are referenced to  $V_{CCI}$  and the output is referenced to  $V_{CCO}$ . All inputs can be connected directly to  $V_{CCI}$  or GND.  $V_{CCI}$  can be supplied at any voltage between 0.7 V and 2.75 V and  $V_{CCO}$  can be supplied at any voltage between 1.2 V and 5.5 V. This feature allows voltage level translation. The 74AXP1T57 can be configured as any of the following logic functions AND, OR, NAND, NOR, XNOR, inverter and buffer.

This device ensures very low static and dynamic power consumption across the entire supply range and is fully specified for partial power down applications using  $I_{OFF}$ . The  $I_{OFF}$  circuitry disables the output, preventing the potentially damaging backflow current through the device when it is powered down.

## 2 Features and benefits

- Wide supply voltage range:
  - $V_{CCI}$ : 0.7 V to 2.75 V
  - $V_{CCO}$ : 1.2 V to 5.5 V
- Low input capacitance;  $C_I = 0.6$  pF (typical)
- Low output capacitance;  $C_O = 1.8$  pF (typical)
- Low dynamic power consumption;  $C_{PD} = 0.6$  pF at  $V_{CCI} = 1.2$  V (typical)
- Low dynamic power consumption;  $C_{PD} = 7.1$  pF at  $V_{CCO} = 3.3$  V (typical)
- Low static power consumption;  $I_{CCI} = 0.5$   $\mu$ A (85 °C maximum)
- Low static power consumption;  $I_{CCO} = 1.8$   $\mu$ A (85 °C maximum)
- High noise immunity
- Complies with JEDEC standard:
  - JESD8-12A.01 (1.1 V to 1.3 V; A, B, C inputs)
  - JESD8-11A.01 (1.4 V to 1.6 V)
  - JESD8-7A (1.65 V to 1.95 V)
  - JESD8-5A.01 (2.3 V to 2.7 V)
  - JESD8-C (2.7 V to 3.6 V; Y output)
  - JESD12-6 (4.5 V to 5.5 V; Y output)
- ESD protection:
  - HBM ANSI/ESDA/JEDEC JS-001 Class 2 exceeds 2 kV
  - CDM JESD22-C101E exceeds 1000 V
- Latch-up performance exceeds 100 mA per JESD78D Class II
- Inputs accept voltages up to 2.75 V
- Low noise overshoot and undershoot < 10 % of  $V_{CCO}$
- $I_{OFF}$  circuitry provides partial power-down mode operation
- Multiple package options

- Specified from -40 °C to +85 °C

### 3 Ordering information

Table 1. Ordering information

Type number	Package			Version
	Temperature range	Name	Description	
74AXP1T57DC	-40 °C to +85 °C	VSSOP8	plastic very thin shrink small outline package; 8 leads; body width 2.3 mm	SOT765-1
74AXP1T57GT	-40 °C to +85 °C	XSON8	plastic extremely thin small outline package; no leads; 8 terminals; body 1 x 1.95 x 0.5 mm	SOT833-1
74AXP1T57GN	-40 °C to +85 °C	XSON8	extremely thin small outline package; no leads; 8 terminals; body 1.2 x 1.0 x 0.35 mm	SOT1116
74AXP1T57GS	-40 °C to +85 °C	XSON8	extremely thin small outline package; no leads; 8 terminals; body 1.35 x 1.0 x 0.35 mm	SOT1203
74AXP1T57GX	-40 °C to +85 °C	X2SON8	plastic thermal enhanced extremely thin small outline package; no leads; 8 terminals; body 1.35 x 0.8 x 0.35 mm	SOT1233

### 4 Marking

Table 2. Marking

Type number	Marking code <sup>[1]</sup>
74AXP1T57DC	rD
74AXP1T57GT	rD
74AXP1T57GN	rD
74AXP1T57GS	rD
74AXP1T57GX	rD

[1] The pin 1 indicator is located on the lower left corner of the device, below the marking code.

### 5 Functional diagram

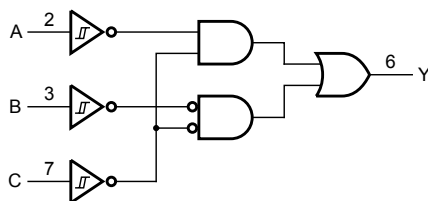


Figure 1. Logic symbol

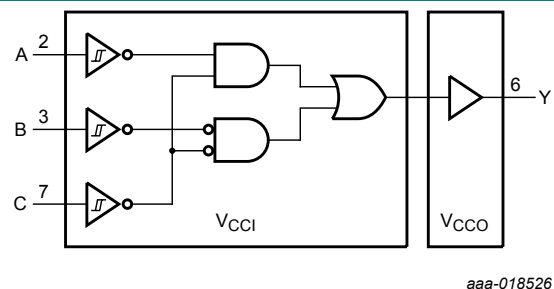


Figure 2. Logic diagram

## 6 Pinning information

### 6.1 Pinning

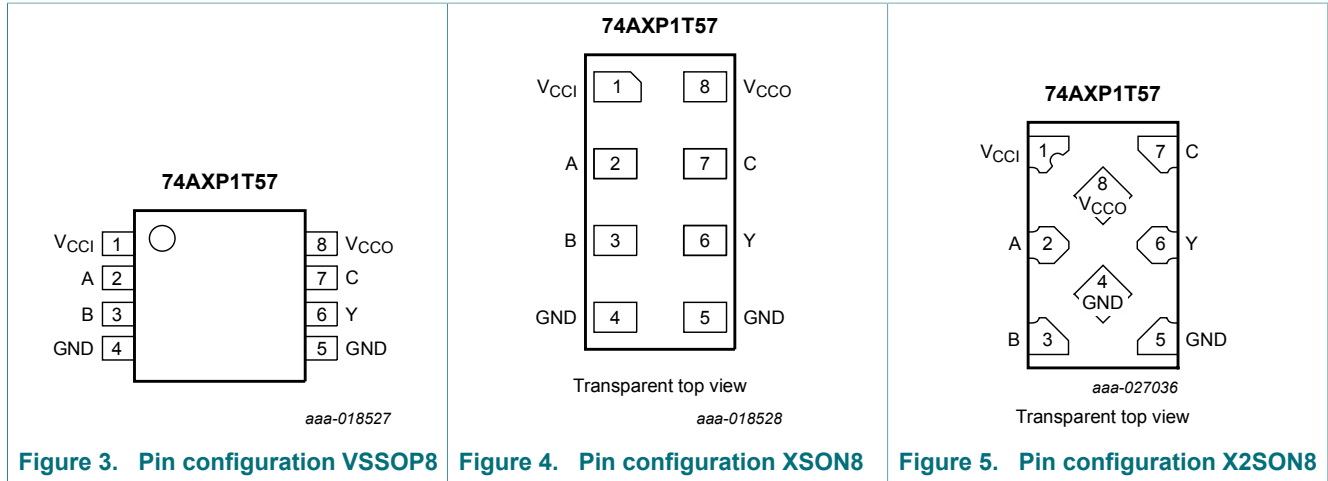


Figure 3. Pin configuration VSSOP8

Figure 4. Pin configuration XSON8

Figure 5. Pin configuration X2SON8

### 6.2 Pin description

Table 3. Pin description

Symbol	Pin	Description
V <sub>CCI</sub>	1	input supply voltage
A, B, C	2, 3, 7	data input
GND <sup>[1]</sup>	4, 5	ground (0 V)
Y	6	data output
V <sub>CCO</sub>	8	output supply voltage

[1] All GND pins must be connected to ground (0 V).

## 7 Functional description

**Table 4. Function table**

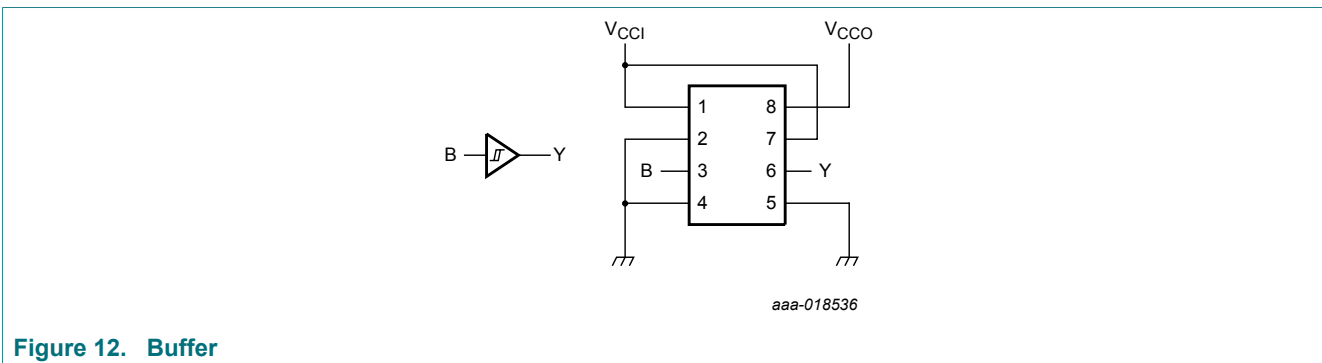
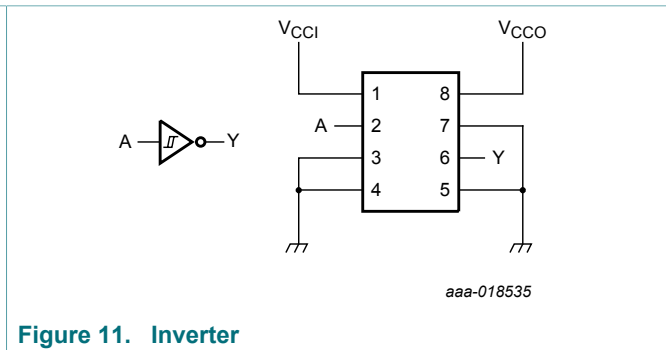
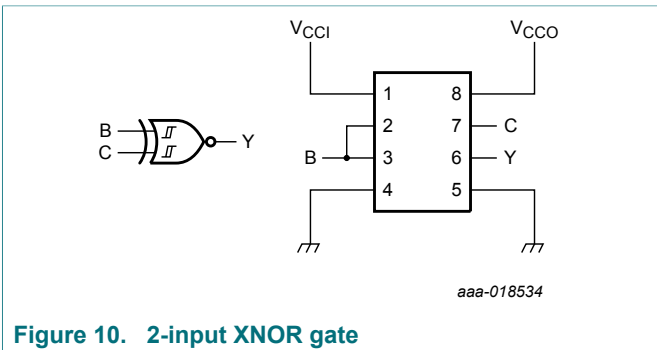
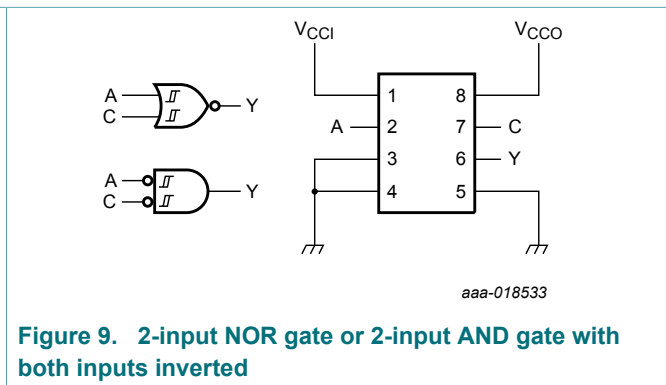
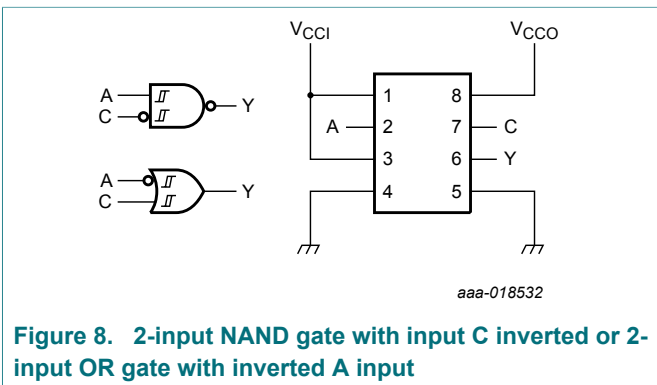
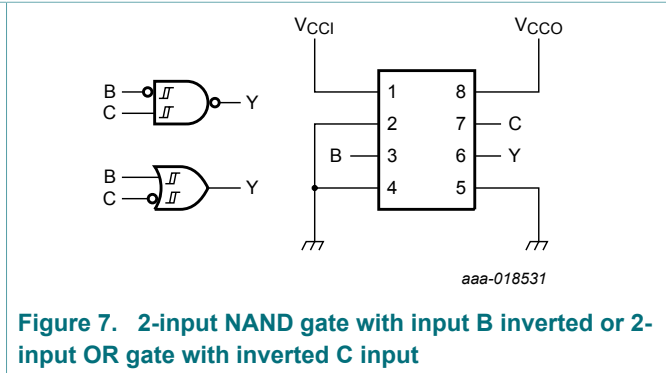
*H = HIGH voltage level; L = LOW voltage level; X = don't care; Z = high-impedance OFF-state.*

Supply voltage		Input			Output
V <sub>CCI</sub>	V <sub>CCO</sub>	C	B	A	Y
0.7 V to 2.75 V	1.2 V to 5.5 V	L	L	L	H
0.7 V to 2.75 V	1.2 V to 5.5 V	L	L	H	L
0.7 V to 2.75 V	1.2 V to 5.5 V	L	H	L	H
0.7 V to 2.75 V	1.2 V to 5.5 V	L	H	H	L
0.7 V to 2.75 V	1.2 V to 5.5 V	H	L	L	L
0.7 V to 2.75 V	1.2 V to 5.5 V	H	L	H	L
0.7 V to 2.75 V	1.2 V to 5.5 V	H	H	L	H
0.7 V to 2.75 V	1.2 V to 5.5 V	H	H	H	H
GND	1.2 V to 5.5 V	X	X	X	Z
0.7 V to 2.75 V	GND	X	X	X	Z
GND	GND	X	X	X	Z

### 7.1 Logic configurations

**Table 5. Function selection table**

Logic function	Figure
2-input AND	see <a href="#">Figure 6</a>
2-input AND with both inputs inverted	see <a href="#">Figure 9</a>
2-input NAND with inverted input	see <a href="#">Figure 7</a> and <a href="#">Figure 8</a>
2-input OR with inverted input	see <a href="#">Figure 7</a> and <a href="#">Figure 8</a>
2-input NOR	see <a href="#">Figure 9</a>
2-input NOR with both inputs inverted	see <a href="#">Figure 6</a>
2-input XNOR	see <a href="#">Figure 10</a>
Inverter	see <a href="#">Figure 11</a>
Buffer	see <a href="#">Figure 12</a>



## 8 Limiting values

**Table 6. Limiting values**

In accordance with the Absolute Maximum Rating System (IEC 60134). Voltages are referenced to GND (ground = 0 V).

Symbol	Parameter	Conditions	Min	Max	Unit
$V_{CCI}$	input supply voltage		-0.5	+3.3	V
$V_{CCO}$	output supply voltage		-0.5	+6.0	V
$I_{IK}$	input clamping current	$V_I < 0$ V	-50	-	mA
$V_I$	input voltage	[1]	-0.5	+3.3	V
$I_{OK}$	output clamping current	$V_O < 0$ V	-50	-	mA
$V_O$	output voltage	Active mode [1] [2]	-0.5	$V_{CCO} + 0.5$	V
		Power-down or 3-state mode [1]	-0.5	+6.0	V
$I_O$	output current	$V_O = 0$ V to $V_{CCO}$	-	$\pm 25$	mA
$I_{CCI}$	input supply current		-	50	mA
$I_{CCO}$	output supply current		-	50	mA
$I_{GND}$	ground current		-50	-	mA
$T_{stg}$	storage temperature		-65	+150	°C
$P_{tot}$	total power dissipation	$T_{amb} = -40$ °C to +85 °C [3]	-	300	mW

[1] The minimum input and output voltage ratings may be exceeded if the input and output current ratings are observed.

[2]  $V_{CCO} + 0.5$  V should not exceed 6.0 V.

[3] For SOT833-1 package: above 70 °C the value of  $P_{tot}$  derates linearly with 3.2 mW/K.  
For SOT1203 package: above 80 °C the value of  $P_{tot}$  derates linearly with 3.6 mW/K.

## 9 Recommended operating conditions

**Table 7. Recommended operating conditions**

Voltages are referenced to GND (ground = 0 V).

Symbol	Parameter	Conditions	Min	Max	Unit
$V_{CCI}$	input supply voltage		0.7	2.75	V
$V_{CCO}$	output supply voltage		1.2	5.5	V
$V_I$	input voltage		0	2.75	V
$V_O$	output voltage	Active mode	0	$V_{CCO}$	V
		Power-down or 3-state mode	0	5.5	V
$T_{amb}$	ambient temperature		-40	+85	°C

## 10 Static characteristics

**Table 8. Static characteristics**

At recommended operating conditions, unless otherwise specified; voltages are referenced to GND (ground = 0 V).

Symbol	Parameter	Conditions	T <sub>amb</sub> = -40 °C to +85 °C				Unit
			Min	Typ 25 °C	Max 25 °C	Max 85 °C	
V <sub>T+</sub>	positive-going threshold voltage	see <a href="#">Figure 13</a> and <a href="#">Figure 14</a>					
		V <sub>CCI</sub> = 0.75 V to 0.85 V	0.3V <sub>CCI</sub>	-	0.8V <sub>CCI</sub>	0.8V <sub>CCI</sub>	V
		V <sub>CCI</sub> = 1.1 V to 1.95 V	0.4V <sub>CCI</sub>	-	0.7V <sub>CCI</sub>	0.7V <sub>CCI</sub>	V
		V <sub>CCI</sub> = 2.3 V to 2.7 V	0.9	-	1.7	1.7	V
V <sub>T-</sub>	negative-going threshold voltage	see <a href="#">Figure 13</a> and <a href="#">Figure 14</a>					
		V <sub>CCI</sub> = 0.75 V to 0.85 V	0.2V <sub>CCI</sub>	-	0.7V <sub>CCI</sub>	0.7V <sub>CCI</sub>	V
		V <sub>CCI</sub> = 1.1 V to 1.95 V	0.3V <sub>CCI</sub>	-	0.6V <sub>CCI</sub>	0.6V <sub>CCI</sub>	V
		V <sub>CCI</sub> = 2.3 V to 2.7 V	0.7	-	1.5	1.5	V
V <sub>H</sub>	hysteresis voltage	see <a href="#">Figure 13</a> and <a href="#">Figure 14</a>					
		V <sub>CCI</sub> = 0.75 V to 0.85 V	0.06V <sub>CCI</sub>	-	0.5V <sub>CCI</sub>	0.5V <sub>CCI</sub>	V
		V <sub>CCI</sub> = 1.1 V to 1.95 V	0.1V <sub>CCI</sub>	-	0.4V <sub>CCI</sub>	0.4V <sub>CCI</sub>	V
		V <sub>CCI</sub> = 2.3 V to 2.7 V	0.2	-	1.0	1.0	V
V <sub>OH</sub>	HIGH-level output voltage	I <sub>O</sub> = -2 mA; V <sub>CCO</sub> = 1.2 V <sup>[1]</sup>	-	1.05	-	-	V
		I <sub>O</sub> = -3 mA; V <sub>CCO</sub> = 1.4 V	1.05	-	-	-	V
		I <sub>O</sub> = -4.5 mA; V <sub>CCO</sub> = 1.65 V	1.2	-	-	-	V
		I <sub>O</sub> = -8 mA; V <sub>CCO</sub> = 2.3 V	1.7	-	-	-	V
		I <sub>O</sub> = -10 mA; V <sub>CCO</sub> = 3.0 V	2.2	-	-	-	V
		I <sub>O</sub> = -12 mA; V <sub>CCO</sub> = 4.5 V	3.7	-	-	-	V
V <sub>OL</sub>	LOW-level output voltage	I <sub>O</sub> = 2 mA; V <sub>CCO</sub> = 1.2 V <sup>[1]</sup>	-	0.18	-	-	V
		I <sub>O</sub> = 3 mA; V <sub>CCO</sub> = 1.4 V	-	-	0.35	0.35	V
		I <sub>O</sub> = 4.5 mA; V <sub>CCO</sub> = 1.65 V	-	-	0.45	0.45	V
		I <sub>O</sub> = 8 mA; V <sub>CCO</sub> = 2.3 V	-	-	0.7	0.7	V
		I <sub>O</sub> = 10 mA; V <sub>CCO</sub> = 3.0 V	-	-	0.8	0.8	V
		I <sub>O</sub> = 12 mA; V <sub>CCO</sub> = 4.5 V	-	-	0.8	0.8	V
I <sub>I</sub>	input leakage current	V <sub>I</sub> = 0 V to 2.75 V; V <sub>CCI</sub> = 0 V to 2.75 V <sup>[1]</sup>	-	±0.001	±0.1	±0.5	µA
I <sub>OZ</sub>	OFF-state output current	V <sub>O</sub> = 0 V to 5.5 V; V <sub>CCO</sub> = 1.2 V to 5.5 V	-	±0.001	±0.1	±0.5	µA

Symbol	Parameter	Conditions	$T_{amb} = -40\text{ °C to }+85\text{ °C}$				Unit
			Min	Typ 25 °C	Max 25 °C	Max 85 °C	
$I_{OFF}$	power-off leakage current	inputs; $V_I = 0\text{ V to }2.75\text{ V}$ ; $V_{CCI} = 0\text{ V}$ ; $V_{CCO} = 0\text{ V to }5.5\text{ V}$ [1]	-	$\pm 0.01$	$\pm 0.1$	$\pm 0.5$	$\mu\text{A}$
		output; $V_O = 0\text{ V to }5.5\text{ V}$ ; $V_{CCO} = 0\text{ V}$ ; $V_{CCI} = 0\text{ V to }2.75\text{ V}$ ; $V_I = 0\text{ V to }2.75\text{ V}$ [1]	-	$\pm 0.01$	$\pm 0.1$	$\pm 0.5$	$\mu\text{A}$
$\Delta I_{OFF}$	additional power-off leakage current	inputs; $V_I = 0\text{ V or }2.75\text{ V}$ ; $V_{CCI} = 0\text{ V to }0.1\text{ V}$ ; $V_{CCO} = 0\text{ V to }5.5\text{ V}$ [1]	-	$\pm 0.02$	$\pm 0.1$	$\pm 0.5$	$\mu\text{A}$
		output; $V_O = 0\text{ V or }5.5\text{ V}$ ; $V_{CCO} = 0\text{ V to }0.1\text{ V}$ ; $V_{CCI} = 0\text{ V to }2.75\text{ V}$ ; $V_I = 0\text{ V or }2.75\text{ V}$ [1]	-	$\pm 0.02$	$\pm 0.1$	$\pm 0.5$	$\mu\text{A}$

[1] Typical values are measured at  $V_{CCI} = V_{CCO} = 1.2\text{ V}$  unless otherwise specified.

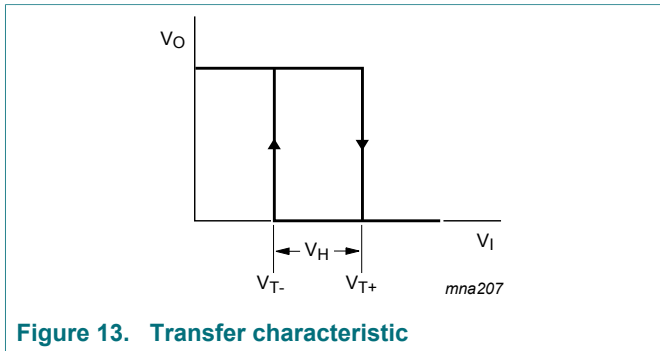


Figure 13. Transfer characteristic

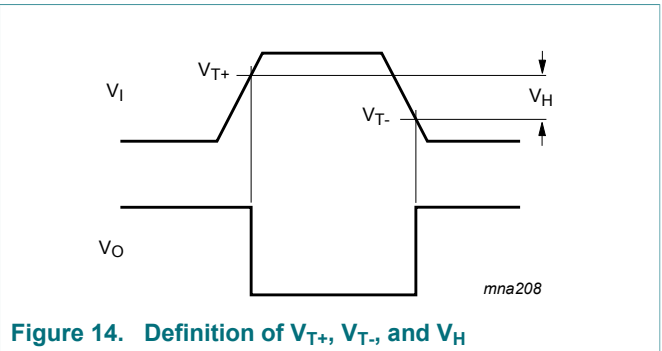


Figure 14. Definition of  $V_{T+}$ ,  $V_{T-}$ , and  $V_H$



**Table 9. Static characteristics supply current**

At recommended operating conditions, unless otherwise specified; voltages are referenced to GND (ground = 0 V).

Symbol	Parameter	Conditions	$T_{amb} = -40\text{ °C to }+85\text{ °C}$				Unit
			Typ 25 °C	Max 25 °C	Typ 85 °C	Max 85 °C	
$I_{CCI}$	input supply current	$V_I = 0\text{ V or }V_{CCI}$ ;					
		$V_{CCI} = 0.7\text{ V to }1.3\text{ V}$ <sup>[1]</sup>	1	100	10	300	nA
		$V_{CCI} = 1.3\text{ V to }2.75\text{ V}$ <sup>[2]</sup>	1	100	20	500	nA
		$V_{CCI} = 2.75\text{ V}; V_{CCO} = 0\text{ V}$	1	100	20	500	nA
		$V_{CCI} = 0\text{ V}; V_{CCO} = 5.5\text{ V}$	1	100	1	100	nA
$I_{CCO}$	output supply current	$V_I = 0\text{ V or }V_{CCI}$ ; $I_O = 0\text{ A}$ ; see <a href="#">Table 10</a>					
		$V_{CCO} = 1.2\text{ V to }3.6\text{ V}$ <sup>[1]</sup>	0.001	1.0	0.01	1.2	$\mu\text{A}$
		$V_{CCO} = 3.6\text{ V to }5.5\text{ V}$ <sup>[3]</sup>	0.8	1.5	1.0	1.8	$\mu\text{A}$
		$V_{CCI} = 2.75\text{ V}; V_{CCO} = 0\text{ V}$	0.001	0.1	0.003	0.2	$\mu\text{A}$
		$V_{CCI} = 0\text{ V}; V_{CCO} = 3.6\text{ V}$	0.2	0.6	0.3	0.8	$\mu\text{A}$
		$V_{CCI} = 0\text{ V}; V_{CCO} = 5.5\text{ V}$	0.4	0.8	0.5	1.0	$\mu\text{A}$
$\Delta I_{CCI}$	additional input supply current	$V_I = V_{CCI} - 0.5\text{ V}; V_{CCI} = 2.5\text{ V}$	2	100	14	150	$\mu\text{A}$

[1] Typical values are measured at  $V_{CCI} = V_{CCO} = 1.2\text{ V}$  unless otherwise specified.

[2] Typical values are measured at  $V_{CCI} = V_{CCO} = 2.5\text{ V}$ .

[3] Typical values are measured at  $V_{CCI} = 1.2\text{ V}$  and  $V_{CCO} = 5.0\text{ V}$ .

**Table 10. Typical output supply current ( $I_{CCO}$ )**

$V_{CCI}$	$V_{CCO}$							Unit
	0 V	1.2 V	1.5 V	1.8 V	2.5 V	3.3 V	5.0 V	
0 V	0	1	5	20	100	200	400	nA
0.8 V	1	10	150	200	300	500	800	nA
1.2 V	1	1	5	200	300	500	800	nA
1.5 V	1	1	5	100	300	500	800	nA
1.8 V	1	1	5	100	300	500	800	nA
2.5 V	1	1	5	100	100	500	800	nA

## 11 Dynamic characteristics

**Table 11. Dynamic characteristics**

Voltages are referenced to GND (ground = 0 V); for test circuit, see [Figure 22](#); for waveform, see [Figure 15](#).

Symbol	Parameter	Conditions	$V_{CCO}$						Unit		
			1.2 V	1.5 V $\pm$ 0.1 V		1.8 V $\pm$ 0.15 V					
			Typ <sup>[1]</sup>	Min	Typ <sup>[1]</sup>	Max	Min	Typ <sup>[1]</sup>		Max	
$T_{amb} = 25\text{ }^{\circ}\text{C}$											
$t_{pd}$	propagation delay	A, B and C to Y <sup>[2]</sup>									
		$V_{CCI} = 0.75\text{ V to }0.85\text{ V}$	25	4	20	76	4	18	72	ns	
		$V_{CCI} = 1.1\text{ V to }1.3\text{ V}$	16.5	3.4	10.9	21.0	3.0	8.9	17.0	ns	
		$V_{CCI} = 1.4\text{ V to }1.6\text{ V}$	15.5	3.1	9.9	19.0	2.6	7.9	14.0	ns	
		$V_{CCI} = 1.65\text{ V to }1.95\text{ V}$	15.0	2.6	9.4	18.0	2.1	7.4	12.5	ns	
		$V_{CCI} = 2.3\text{ V to }2.7\text{ V}$	14.5	2.7	8.9	17.5	2.2	6.9	11.7	ns	
$T_{amb} = -40\text{ }^{\circ}\text{C to }+85\text{ }^{\circ}\text{C}$											
$t_{pd}$	propagation delay	A, B and C to Y <sup>[2]</sup>									
		$V_{CCI} = 0.75\text{ V to }0.85\text{ V}$	25	3	20	151	3	18	148	ns	
		$V_{CCI} = 1.1\text{ V to }1.3\text{ V}$	16.5	3.4	10.9	21.0	3.0	8.9	17.0	ns	
		$V_{CCI} = 1.4\text{ V to }1.6\text{ V}$	15.5	3.1	9.9	19.0	2.6	7.9	14.0	ns	
		$V_{CCI} = 1.65\text{ V to }1.95\text{ V}$	15.0	2.6	9.4	18.0	2.1	7.4	12.5	ns	
		$V_{CCI} = 2.3\text{ V to }2.7\text{ V}$	14.5	2.7	8.9	17.5	2.2	6.9	11.7	ns	
$t_t$	transition time	$V_{CCI} = 0.75\text{ V to }2.7\text{ V}$ <sup>[3]</sup>	-	1.0	-	-	1.0	-	-	ns	

[1] Typical values are measured at nominal supply voltages and  $T_{amb} = +25\text{ }^{\circ}\text{C}$ .

[2]  $t_{pd}$  is the same as  $t_{PLH}$  and  $t_{PHL}$ .

[3]  $t_t$  is the same as  $t_{THL}$  and  $t_{TLH}$ .

Table 12. Dynamic characteristics

Voltages are referenced to GND (ground = 0 V); for test circuit, see Figure 22; for waveform, see Figure 15.

Symbol	Parameter	Conditions	V <sub>CC0</sub>									Unit
			2.5 V ± 0.2 V			3.3 V ± 0.3 V			5.0 V ± 0.5 V			
			Min	Typ <sup>[1]</sup>	Max	Min	Typ <sup>[1]</sup>	Max	Min	Typ <sup>[1]</sup>	Max	
T <sub>amb</sub> = 25 °C												
t <sub>pd</sub>	propagation delay	A, B and C to Y <sup>[2]</sup>										
		V <sub>CCI</sub> = 0.75 V to 0.85 V	3	16	72	3	16	80	3	17	92	ns
		V <sub>CCI</sub> = 1.1 V to 1.3 V	2.6	7.3	12.0	2.5	6.7	10.7	2.4	6.4	10.2	ns
		V <sub>CCI</sub> = 1.4 V to 1.6 V	2.3	6.2	9.9	2.1	5.6	9.0	2.1	5.3	8.5	ns
		V <sub>CCI</sub> = 1.65 V to 1.95 V	1.7	5.7	9.3	1.6	5.1	8.3	1.5	4.8	7.9	ns
		V <sub>CCI</sub> = 2.3 V to 2.7 V	1.9	5.2	8.7	1.8	4.6	7.7	1.7	4.3	7.2	ns
T <sub>amb</sub> = -40 °C to +85 °C												
t <sub>pd</sub>	propagation delay	A, B and C to Y <sup>[2]</sup>										
		V <sub>CCI</sub> = 0.75 V to 0.85 V	2	16	167	2	16	194	2	17	225	ns
		V <sub>CCI</sub> = 1.1 V to 1.3 V	2.6	7.3	12.0	2.5	6.7	10.7	2.4	6.4	10.2	ns
		V <sub>CCI</sub> = 1.4 V to 1.6 V	2.3	6.2	9.9	2.1	5.6	9.0	2.1	5.3	8.5	ns
		V <sub>CCI</sub> = 1.65 V to 1.95 V	1.7	5.7	9.3	1.6	5.1	8.3	1.5	4.8	7.9	ns
		V <sub>CCI</sub> = 2.3 V to 2.7 V	1.9	5.2	8.7	1.8	4.6	7.7	1.7	4.3	7.2	ns
t <sub>t</sub>	transition time	V <sub>CCI</sub> = 0.75 V to 2.7 V <sup>[3]</sup>	1.0	-	-	1.0	-	-	1.0	-	-	ns

[1] Typical values are measured at nominal supply voltages and t<sub>amb</sub> = +25 °C.

[2] t<sub>pd</sub> is the same as t<sub>PLH</sub> and t<sub>PHL</sub>.

[3] t<sub>t</sub> is the same as t<sub>THL</sub> and t<sub>TLH</sub>.

**Table 13. Typical dynamic characteristics at  $T_{amb} = 25\text{ }^{\circ}\text{C}$**

Voltages are referenced to GND (ground = 0 V); for test circuit, see [Figure 22](#); for waveform, see [Figure 15](#).

Symbol	Parameter	Conditions	$V_{CCO}$						Unit	
			1.2 V	1.5 V	1.8 V	2.5 V	3.3 V	5.0 V		
$C_{PD}$	power dissipation capacitance	$f_i = 1\text{ MHz}$ ; $R_L = \infty\ \Omega$ ; $V_I = 0\text{ V to }V_{CCI}$ [1]								
		input supply [2]								
		$V_{CCI} = 0.8\text{ V}$	0.5	0.5	0.5	0.5	0.5	0.5	pF	
		$V_{CCI} = 1.2\text{ V}$	0.6	0.6	0.6	0.6	0.6	0.6	pF	
		$V_{CCI} = 1.5\text{ V}$	0.7	0.7	0.7	0.7	0.7	0.7	pF	
		$V_{CCI} = 1.8\text{ V}$	0.8	0.8	0.8	0.8	0.8	0.8	pF	
		$V_{CCI} = 2.5\text{ V}$	1.0	1.0	1.0	1.0	1.0	1.0	pF	
		output supply [3]								
		$V_{CCI} = 0.8\text{ V}$	6.7	6.8	6.8	6.9	7.5	9.5	pF	
		$V_{CCI} = 1.2\text{ V}$	6.8	6.9	7.0	7.0	7.1	7.6	pF	
		$V_{CCI} = 1.5\text{ V}$	6.9	6.9	6.9	7.0	7.1	7.6	pF	
		$V_{CCI} = 1.8\text{ V}$	6.9	6.9	6.9	7.0	7.2	7.6	pF	
$V_{CCI} = 2.5\text{ V}$	6.9	7.0	7.0	7.0	7.2	7.6	pF			
$C_I$	input capacitance	$V_I = 0\text{ V or }V_{CCI}$ ; $V_{CCI} = 0\text{ V to }2.7\text{ V}$	0.6	0.6	0.6	0.6	0.6	0.6	pF	
$C_O$	output capacitance	$V_O = 0\text{ V}$ ; $V_{CCO} = 0\text{ V}$	1.8	1.8	1.8	1.8	1.8	1.8	pF	

[1]  $C_{PD}$  is used to determine the dynamic power dissipation ( $P_D$  in  $\mu\text{W}$ ).

[2] Power dissipated from input supply ( $V_{CCI}$ )

$$P_D = C_{PD} \times V_{CCI}^2 \times f_i \times N \text{ where:}$$

$C_{PD}$  = power dissipation capacitance of the input supply.

$V_{CCI}$  = input supply voltage in V;

$f_i$  = input frequency in MHz;

$N$  = number of inputs switching;

[3] Power dissipated from output supply ( $V_{CCO}$ )

$$P_D = (C_L + C_{PD}) \times V_{CCO}^2 \times f_o \text{ where:}$$

$C_L$  = load capacitance in pF;

$C_{PD}$  = power dissipation capacitance of the output supply.

$V_{CCO}$  = output supply voltage in V;

$f_o$  = output frequency in MHz;

11.1 Waveforms and graphs

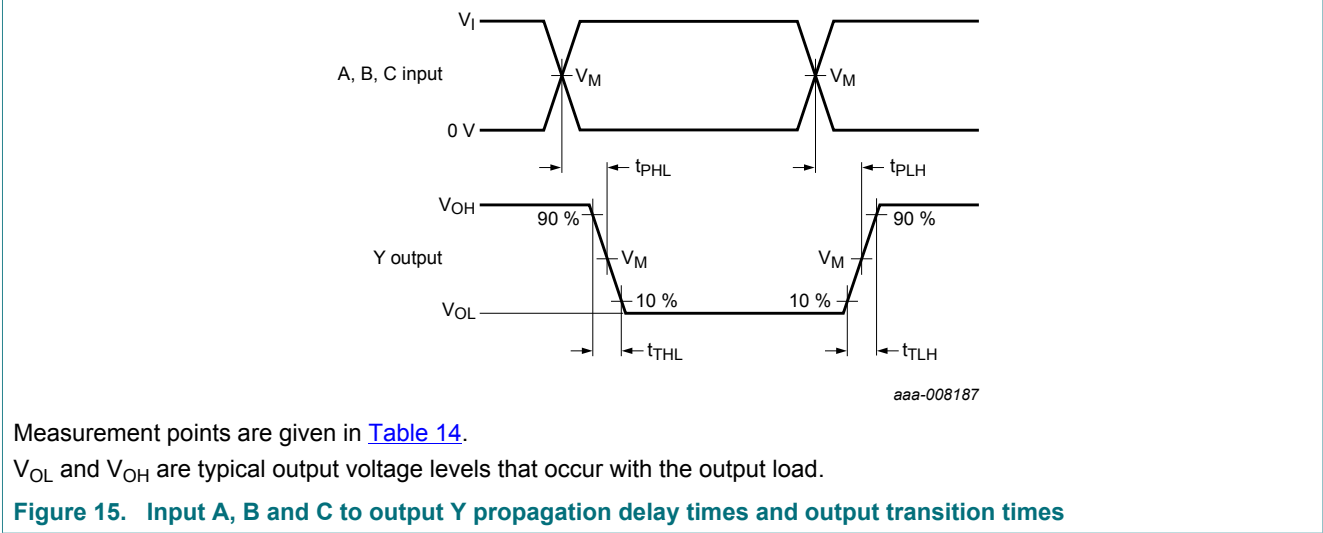
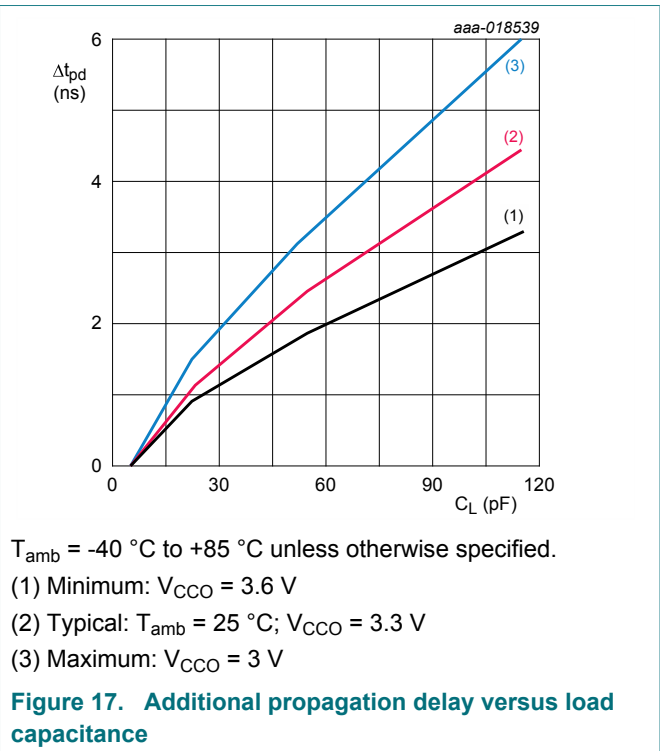
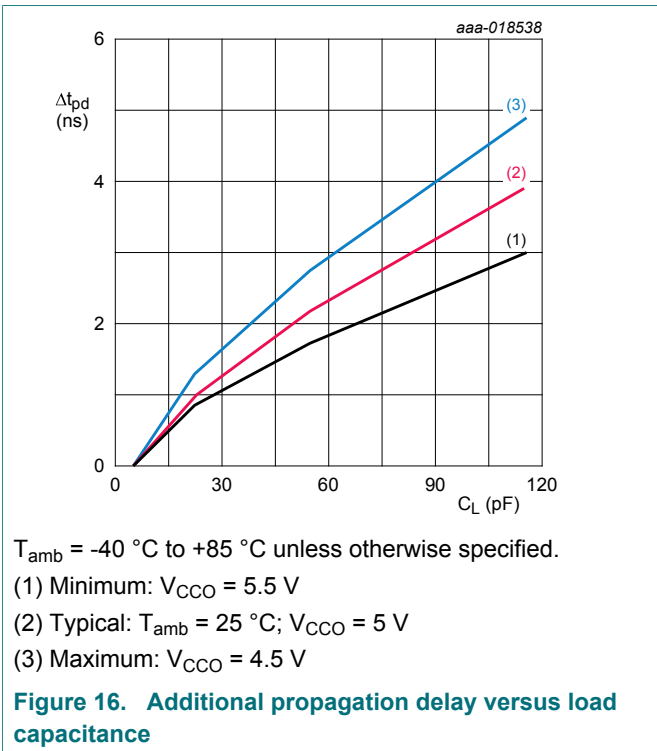
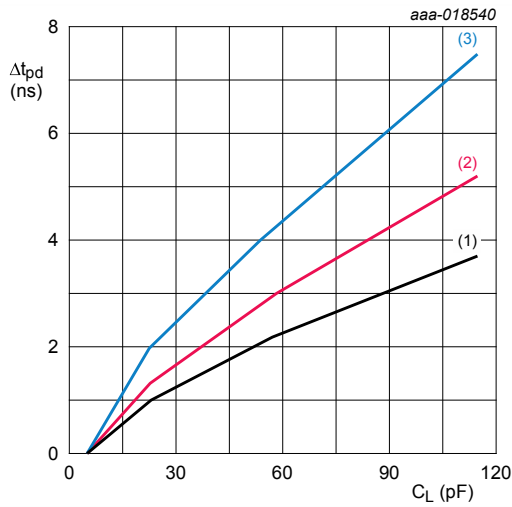


Table 14. Measurement points

Supply voltage		Output	Input	
$V_{CCI}$	$V_{CCO}$	$V_M$	$V_M$	$V_I$
0.75 V to 2.7 V	1.2 V to 5.5 V	$0.5V_{CCO}$	$0.5V_{CCI}$	$V_{CCI}$





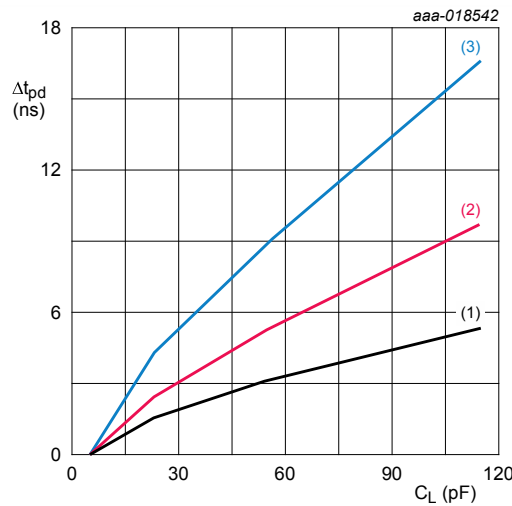
$T_{amb} = -40\text{ }^{\circ}\text{C}$  to  $+85\text{ }^{\circ}\text{C}$  unless otherwise specified.  
 (1) Minimum:  $V_{CCO} = 2.7\text{ V}$   
 (2) Typical:  $T_{amb} = 25\text{ }^{\circ}\text{C}$ ;  $V_{CCO} = 2.5\text{ V}$   
 (3) Maximum:  $V_{CCO} = 2.3\text{ V}$

**Figure 18. Additional propagation delay versus load capacitance**



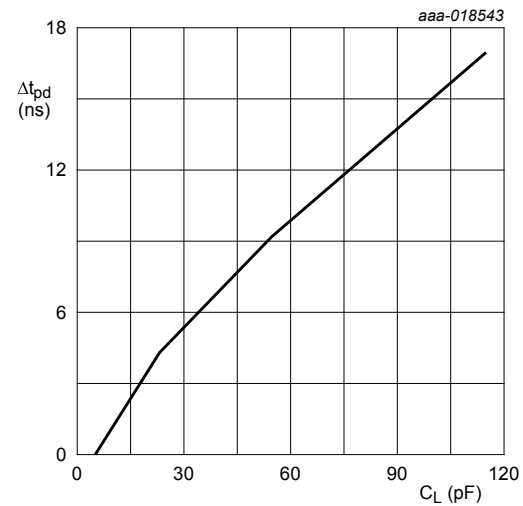
$T_{amb} = -40\text{ }^{\circ}\text{C}$  to  $+85\text{ }^{\circ}\text{C}$  unless otherwise specified.  
 (1) Minimum:  $V_{CCO} = 1.95\text{ V}$   
 (2) Typical:  $T_{amb} = 25\text{ }^{\circ}\text{C}$ ;  $V_{CCO} = 1.8\text{ V}$   
 (3) Maximum:  $V_{CCO} = 1.65\text{ V}$

**Figure 19. Additional propagation delay versus load capacitance**



$T_{amb} = -40\text{ }^{\circ}\text{C}$  to  $+85\text{ }^{\circ}\text{C}$  unless otherwise specified.  
 (1) Minimum:  $V_{CCO} = 1.6\text{ V}$   
 (2) Typical:  $T_{amb} = 25\text{ }^{\circ}\text{C}$ ;  $V_{CCO} = 1.5\text{ V}$   
 (3) Maximum:  $V_{CCO} = 1.4\text{ V}$

**Figure 20. Additional propagation delay versus load capacitance**



$T_{amb} = 25\text{ }^{\circ}\text{C}$ ;  $V_{CCO} = 1.2\text{ V}$ .

**Figure 21. Additional propagation delay versus load capacitance**



Table 15. Test data

Supply voltage		Load		Input	
$V_{CCI}$	$V_{CCO}$	$C_L$	$R_L$	$t_r, t_f$	$V_I$
0.75 V to 2.7 V	1.2 V to 5.5 V	5 pF	5 kΩ	≤3.0 ns	$V_{CCI}$

12 Package outline

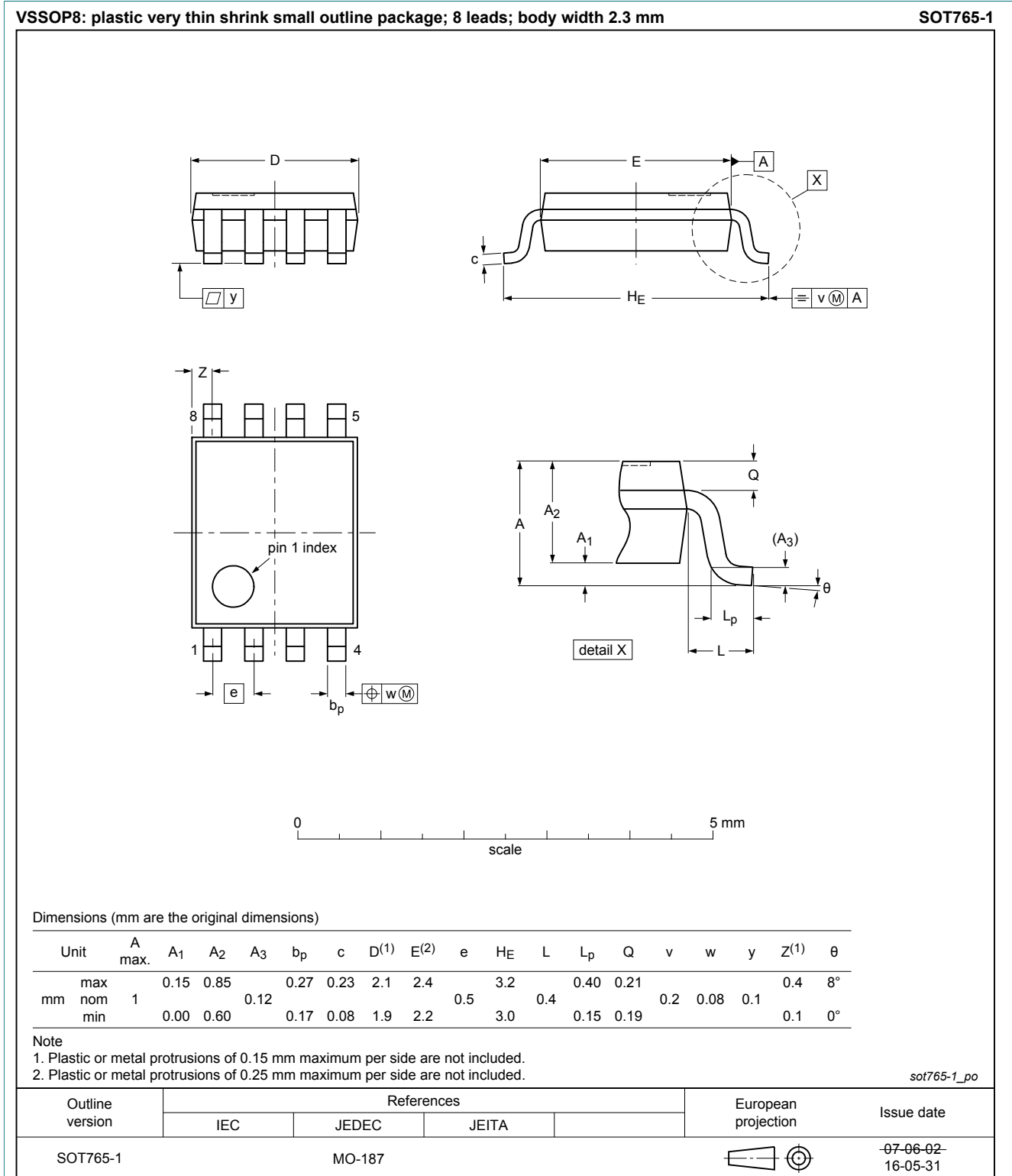
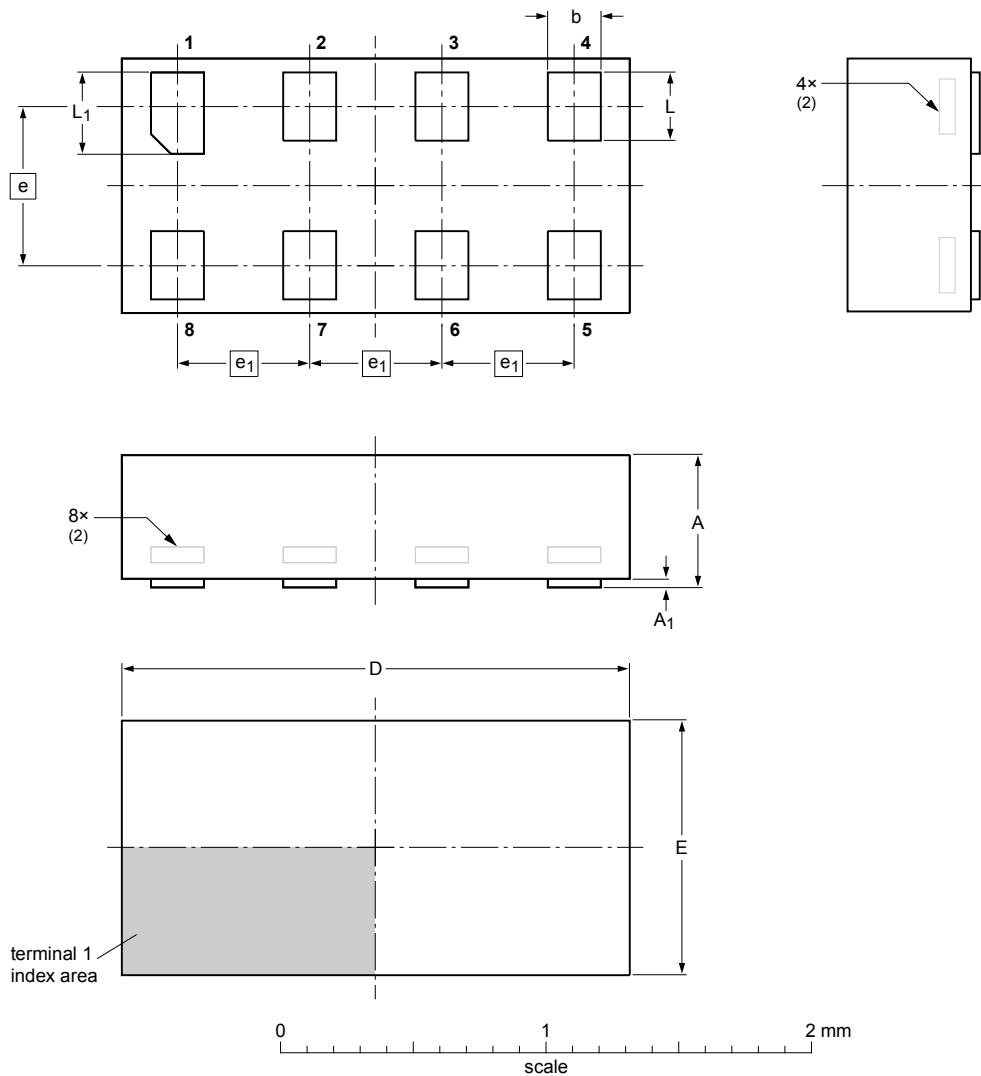


Figure 23. Package outline SOT765-1 (VSSOP8)



XSON8: plastic extremely thin small outline package; no leads; 8 terminals; body 1 x 1.95 x 0.5 mm

SOT833-1



**DIMENSIONS (mm are the original dimensions)**

UNIT	A <sup>(1)</sup> max	A <sub>1</sub> max	b	D	E	e	e <sub>1</sub>	L	L <sub>1</sub>
mm	0.5	0.04	0.25 0.17	2.0 1.9	1.05 0.95	0.6	0.5	0.35 0.27	0.40 0.32

**Notes**

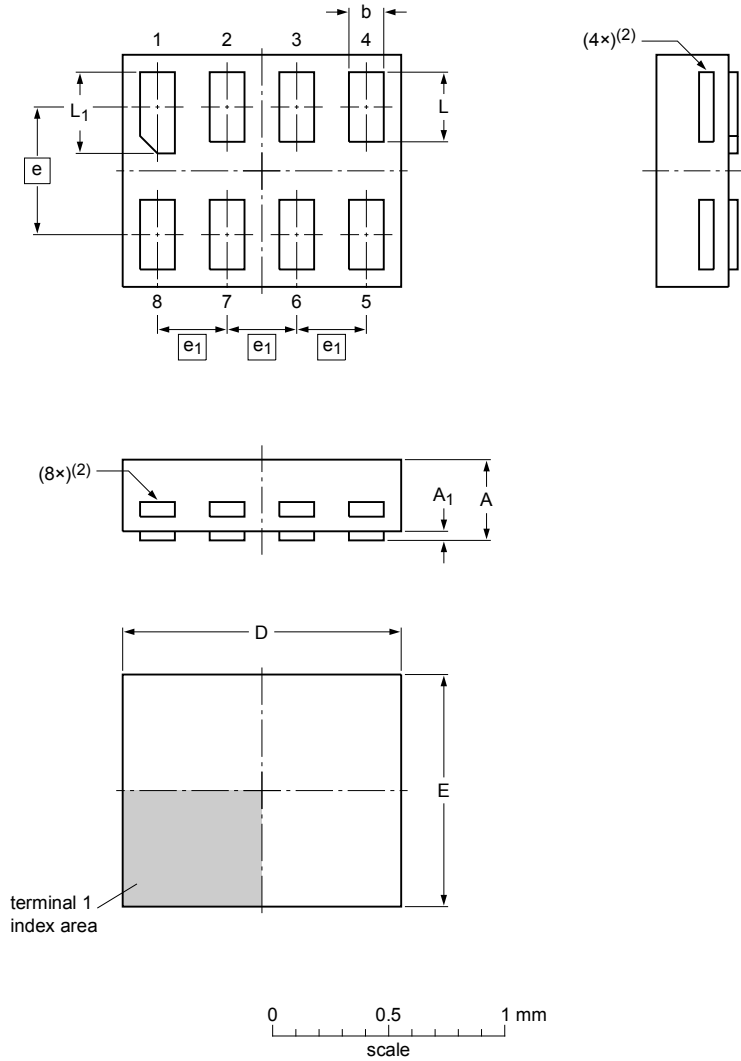
1. Including plating thickness.
2. Can be visible in some manufacturing processes.

OUTLINE VERSION	REFERENCES			EUROPEAN PROJECTION	ISSUE DATE
	IEC	JEDEC	JEITA		
SOT833-1	---	MO-252	---		07-11-14 07-12-07

Figure 24. Package outline SOT833-1 (XSON8)

XSON8: extremely thin small outline package; no leads;  
8 terminals; body 1.2 x 1.0 x 0.35 mm

SOT1116



Dimensions

Unit	A <sup>(1)</sup>	A <sub>1</sub>	b	D	E	e	e <sub>1</sub>	L	L <sub>1</sub>
max	0.35	0.04	0.20	1.25	1.05			0.35	0.40
nom			0.15	1.20	1.00	0.55	0.3	0.30	0.35
min			0.12	1.15	0.95			0.27	0.32

Note

- Including plating thickness.
- Visible depending upon used manufacturing technology.

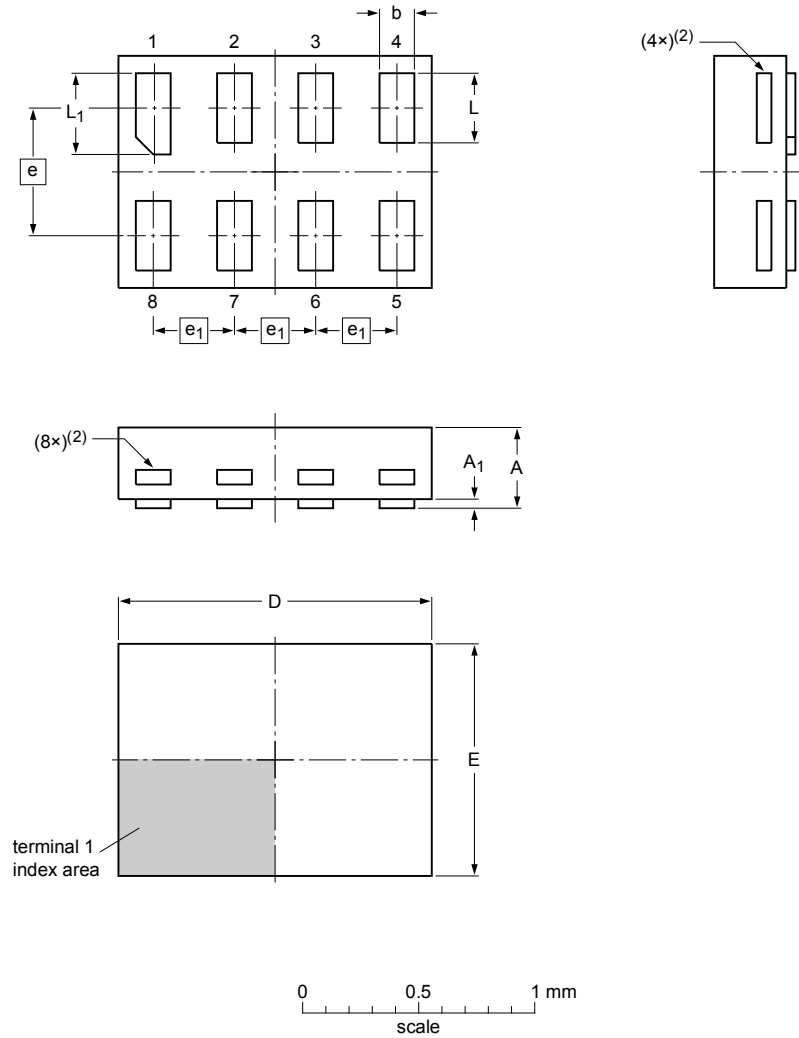
sot1116\_po

Outline version	References				European projection	Issue date
	IEC	JEDEC	JEITA			
SOT1116						-10-04-02- 10-04-07

Figure 25. Package outline SOT1116 (XSON8)

XSON8: extremely thin small outline package; no leads;  
8 terminals; body 1.35 x 1.0 x 0.35 mm

SOT1203



Dimensions

Unit	A <sup>(1)</sup>	A <sub>1</sub>	b	D	E	e	e <sub>1</sub>	L	L <sub>1</sub>
mm	max 0.35	0.04	0.20	1.40	1.05			0.35	0.40
	nom 0.15	1.35	1.00	0.55	0.35	0.30	0.35		
	min 0.12	1.30	0.95			0.27	0.32		

Note

- Including plating thickness.
- Visible depending upon used manufacturing technology.

sot1203\_po

Outline version	References				European projection	Issue date
	IEC	JEDEC	JEITA			
SOT1203						-10-04-02- 10-04-06

Figure 26. Package outline SOT1203 (XSON8)

X2SON8: plastic thermal enhanced extremely thin small outline package; no leads; 8 terminals; body 1.35 x 0.8 x 0.35 mm

SOT1233

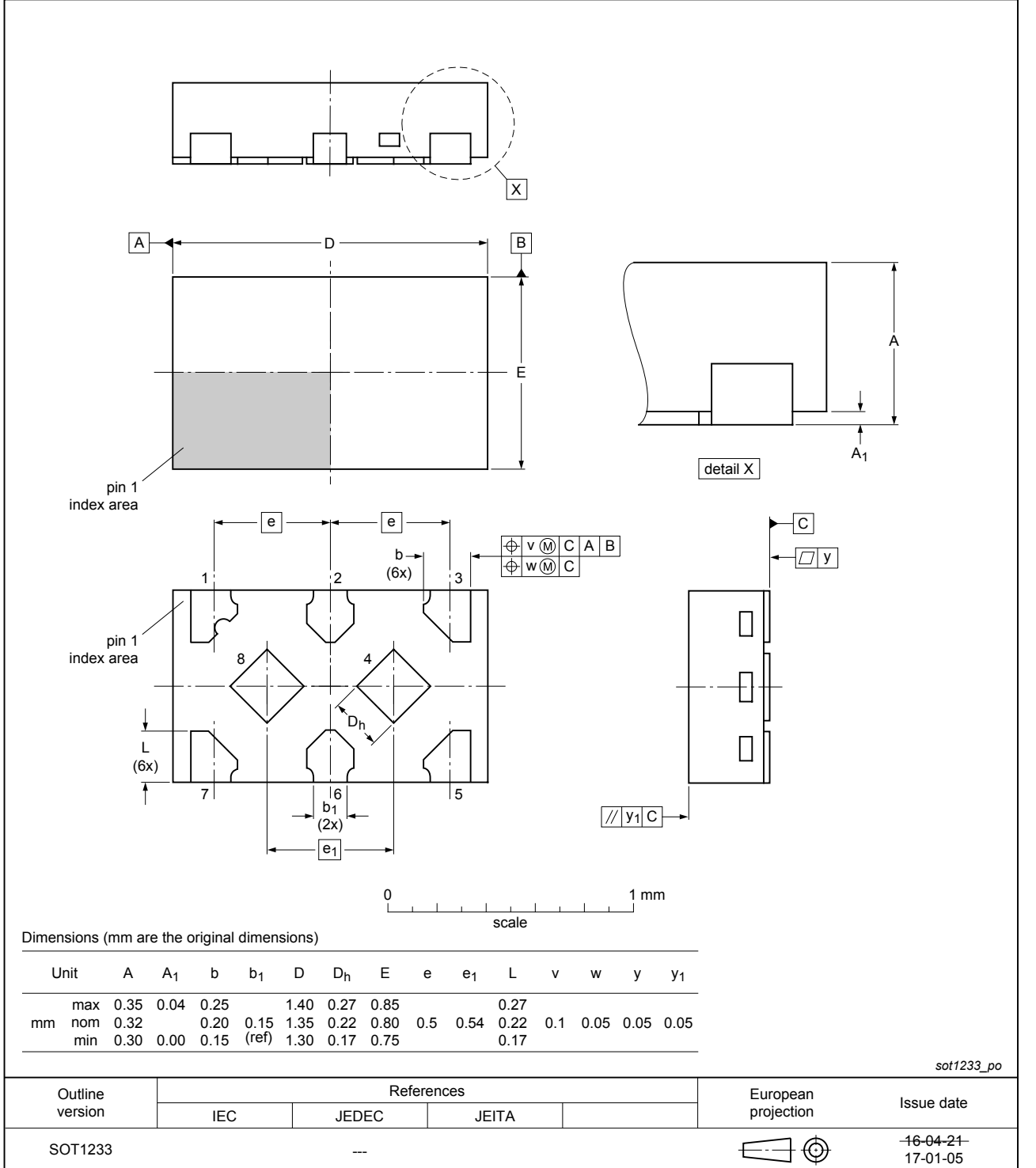


Figure 27. Package outline SOT1233 (X2SON8)

## 13 Abbreviations

Table 16. Abbreviations

Acronym	Description
CDM	Charged Device Model
DUT	Device Under Test
ESD	ElectroStatic Discharge
HBM	Human Body Model

## 14 Revision history

Table 17. Revision history

Document ID	Release date	Data sheet status	Change notice	Supersedes
74AXP1T57 v.5	20170703	Product data sheet	-	74AXP1T57 v.4
Modifications:	<ul style="list-style-type: none"> <li>• <a href="#">Figure 27</a>: Package outline drawing for SOT1233 / X2SON8) has changed.</li> </ul>			
74AXP1T57 v.4	20161028	Product data sheet	-	74AXP1T57 v.3
Modifications:	<ul style="list-style-type: none"> <li>• Added type number 74AXP1T57GX (SOT1233/X2SON8)</li> </ul>			
74AXP1T57 v.3	20161007	Product data sheet	-	74AXP1T57 v.2
Modifications:	<ul style="list-style-type: none"> <li>• Type numbers 74AXP1T57DP and 74AXP1T57GD removed.</li> </ul>			
74AXP1T57 v.2	20151222	Product data sheet	-	74AXP1T57 v.1
Modifications:	<ul style="list-style-type: none"> <li>• <a href="#">Table 6</a>: Conditions <math>V_O</math> corrected (errata).</li> <li>• <a href="#">Table 6</a>: Derating values for packages added (errata).</li> <li>• <a href="#">Table 7</a>: Conditions <math>V_O</math> corrected (errata).</li> <li>• <a href="#">Table 8</a>: Conditions <math>I_{OZ}</math> corrected (errata).</li> <li>• <a href="#">Table 9</a>: Conditions <math>\Delta I_{CCI}</math> corrected (errata).</li> <li>• <a href="#">Table 11</a> and <a href="#">Table 12</a>: Conditions <math>t_r</math> corrected (errata).</li> <li>• <a href="#">Table 11</a>: Conditions <math>t_r</math> corrected (errata).</li> <li>• <a href="#">Table 13</a>: Removed "leadless packages" from conditions (errata).</li> </ul>			
74AXP1T57 v.1	20150803	Product data sheet	-	-

## 15 Legal information

### 15.1 Data sheet status

Document status <sup>[1][2]</sup>	Product status <sup>[3]</sup>	Definition
Objective [short] data sheet	Development	This document contains data from the objective specification for product development.
Preliminary [short] data sheet	Qualification	This document contains data from the preliminary specification.
Product [short] data sheet	Production	This document contains the product specification.

[1] Please consult the most recently issued document before initiating or completing a design.

[2] The term 'short data sheet' is explained in section "Definitions".

[3] The product status of device(s) described in this document may have changed since this document was published and may differ in case of multiple devices. The latest product status information is available on the Internet at URL <http://www.nexperia.com>.

### 15.2 Definitions

**Draft** — The document is a draft version only. The content is still under internal review and subject to formal approval, which may result in modifications or additions. Nexperia does not give any representations or warranties as to the accuracy or completeness of information included herein and shall have no liability for the consequences of use of such information.

**Short data sheet** — A short data sheet is an extract from a full data sheet with the same product type number(s) and title. A short data sheet is intended for quick reference only and should not be relied upon to contain detailed and full information. For detailed and full information see the relevant full data sheet, which is available on request via the local Nexperia sales office. In case of any inconsistency or conflict with the short data sheet, the full data sheet shall prevail.

**Product specification** — The information and data provided in a Product data sheet shall define the specification of the product as agreed between Nexperia and its customer, unless Nexperia and customer have explicitly agreed otherwise in writing. In no event however, shall an agreement be valid in which the Nexperia product is deemed to offer functions and qualities beyond those described in the Product data sheet.

### 15.3 Disclaimers

**Limited warranty and liability** — Information in this document is believed to be accurate and reliable. However, Nexperia does not give any representations or warranties, expressed or implied, as to the accuracy or completeness of such information and shall have no liability for the consequences of use of such information. Nexperia takes no responsibility for the content in this document if provided by an information source outside of Nexperia. In no event shall Nexperia be liable for any indirect, incidental, punitive, special or consequential damages (including - without limitation - lost profits, lost savings, business interruption, costs related to the removal or replacement of any products or rework charges) whether or not such damages are based on tort (including negligence), warranty, breach of contract or any other legal theory. Notwithstanding any damages that customer might incur for any reason whatsoever, Nexperia's aggregate and cumulative liability towards customer for the products described herein shall be limited in accordance with the Terms and conditions of commercial sale of Nexperia.

**Right to make changes** — Nexperia reserves the right to make changes to information published in this document, including without limitation specifications and product descriptions, at any time and without notice. This document supersedes and replaces all information supplied prior to the publication hereof.

**Suitability for use** — Nexperia products are not designed, authorized or warranted to be suitable for use in life support, life-critical or safety-critical

systems or equipment, nor in applications where failure or malfunction of an Nexperia product can reasonably be expected to result in personal injury, death or severe property or environmental damage. Nexperia and its suppliers accept no liability for inclusion and/or use of Nexperia products in such equipment or applications and therefore such inclusion and/or use is at the customer's own risk.

**Applications** — Applications that are described herein for any of these products are for illustrative purposes only. Nexperia makes no representation or warranty that such applications will be suitable for the specified use without further testing or modification. Customers are responsible for the design and operation of their applications and products using Nexperia products, and Nexperia accepts no liability for any assistance with applications or customer product design. It is customer's sole responsibility to determine whether the Nexperia product is suitable and fit for the customer's applications and products planned, as well as for the planned application and use of customer's third party customer(s). Customers should provide appropriate design and operating safeguards to minimize the risks associated with their applications and products. Nexperia does not accept any liability related to any default, damage, costs or problem which is based on any weakness or default in the customer's applications or products, or the application or use by customer's third party customer(s). Customer is responsible for doing all necessary testing for the customer's applications and products using Nexperia products in order to avoid a default of the applications and the products or of the application or use by customer's third party customer(s). Nexperia does not accept any liability in this respect.

**Limiting values** — Stress above one or more limiting values (as defined in the Absolute Maximum Ratings System of IEC 60134) will cause permanent damage to the device. Limiting values are stress ratings only and (proper) operation of the device at these or any other conditions above those given in the Recommended operating conditions section (if present) or the Characteristics sections of this document is not warranted. Constant or repeated exposure to limiting values will permanently and irreversibly affect the quality and reliability of the device.

**Terms and conditions of commercial sale** — Nexperia products are sold subject to the general terms and conditions of commercial sale, as published at <http://www.nexperia.com/profile/terms>, unless otherwise agreed in a valid written individual agreement. In case an individual agreement is concluded only the terms and conditions of the respective agreement shall apply. Nexperia hereby expressly objects to applying the customer's general terms and conditions with regard to the purchase of Nexperia products by customer.

**No offer to sell or license** — Nothing in this document may be interpreted or construed as an offer to sell products that is open for acceptance or the grant, conveyance or implication of any license under any copyrights, patents or other industrial or intellectual property rights.

**Export control** — This document as well as the item(s) described herein may be subject to export control regulations. Export might require a prior authorization from competent authorities.

**Non-automotive qualified products** — Unless this data sheet expressly states that this specific Nexperia product is automotive qualified, the product is not suitable for automotive use. It is neither qualified nor tested in accordance with automotive testing or application requirements. Nexperia accepts no liability for inclusion and/or use of non-automotive qualified products in automotive equipment or applications. In the event that customer uses the product for design-in and use in automotive applications to automotive specifications and standards, customer (a) shall use the product without Nexperia's warranty of the product for such automotive applications, use and specifications, and (b) whenever customer uses the product for automotive applications beyond Nexperia's specifications such use shall be solely at customer's own risk, and (c) customer fully indemnifies Nexperia for any liability, damages or failed product claims resulting from customer

design and use of the product for automotive applications beyond Nexperia's standard warranty and Nexperia's product specifications.

**Translations** — A non-English (translated) version of a document is for reference only. The English version shall prevail in case of any discrepancy between the translated and English versions.

## 15.4 Trademarks

Notice: All referenced brands, product names, service names and trademarks are the property of their respective owners.

## Contents

<b>1</b>	<b>General description</b> .....	<b>1</b>
<b>2</b>	<b>Features and benefits</b> .....	<b>1</b>
<b>3</b>	<b>Ordering information</b> .....	<b>2</b>
<b>4</b>	<b>Marking</b> .....	<b>2</b>
<b>5</b>	<b>Functional diagram</b> .....	<b>2</b>
<b>6</b>	<b>Pinning information</b> .....	<b>3</b>
6.1	Pinning .....	3
6.2	Pin description .....	3
<b>7</b>	<b>Functional description</b> .....	<b>4</b>
7.1	Logic configurations .....	4
<b>8</b>	<b>Limiting values</b> .....	<b>6</b>
<b>9</b>	<b>Recommended operating conditions</b> .....	<b>6</b>
<b>10</b>	<b>Static characteristics</b> .....	<b>7</b>
<b>11</b>	<b>Dynamic characteristics</b> .....	<b>10</b>
11.1	Waveforms and graphs .....	13
<b>12</b>	<b>Package outline</b> .....	<b>16</b>
<b>13</b>	<b>Abbreviations</b> .....	<b>21</b>
<b>14</b>	<b>Revision history</b> .....	<b>21</b>
<b>15</b>	<b>Legal information</b> .....	<b>22</b>

---

Please be aware that important notices concerning this document and the product(s) described herein, have been included in section 'Legal information'.

---

© Nexperia B.V. 2017.

All rights reserved.

For more information, please visit: <http://www.nexperia.com>

For sales office addresses, please send an email to: [salesaddresses@nexperia.com](mailto:salesaddresses@nexperia.com)

Date of release: 3 July 2017  
Document identifier: 74AXP1T57