

# Gladius G1220

## 12.1" Intel® Atom™ N2600 Rugged Tablet PC



### Features

- 12.1" TFT active matrix with resistive touch
- Ultra low power consumption for 6-hour battery life
- Fully rugged for mobile POS or warehousing application
- Meeting MIL-STD-810F, IP54, 3ft. Drop Resistance
- High mobility with multiple connectivity (Bluetooth/WLAN)
- Hot-swappable redundant dual batteries

### System

<b>CPU</b>	Intel® Atom™ N2600 1.6GHz processor
<b>Graphics Controller</b>	Intel® GMA3600
<b>Memory</b>	2GB DDR3 SO-DIMM memory module installed
<b>Chipset</b>	Intel® NM10
<b>BIOS</b>	AMI Aptio® UEFI BIOS
<b>Audio</b>	1 x Integrated microphone
	2 x Integrated 2W speakers
	1 x Earphone jack
	1 x Microphone jack
<b>Storage</b>	1 x 32GB MLC SSD
	1 x 2.5" HDD/SSD Drive (optional)

### Peripherals and Devices

<b>Camera</b>	1 x 5.0 megapixels rear-facing Auto Focus CMOS camera w/o LED (optional)
<b>Wi-Fi</b>	Integrated WLAN 802.11 a/b/g/n
<b>Bluetooth</b>	Integrated Bluetooth 4.0 BLE, Class II

### I/O Interface

<b>USB Port</b>	4 x USB 2.0 ports
<b>Serial Port</b>	1 x 20-pin connector for two RS-232 ports
<b>Ethernet</b>	1 x RJ45 GbE LAN
<b>Docking Port</b>	1 x 35-pin pogo connector for docking connection
<b>SD Card</b>	1 x SDHC/SD card slot

### Button & Indicator

<b>Function Key</b>	4 x Function keys
<b>Power Button</b>	1 x Power on/off button
	2 x Battery LEDs
<b>LED Indicator</b>	1 x HDD/SSD Active LED
	1 x Power LED

### Touch Screen

<b>Type</b>	Analog resistive touch
<b>Light Transparency</b>	80%
<b>Controller Interface</b>	USB Interface

### LCD Display

<b>Size/Type</b>	12.1" TFT Active Matrix Panel
<b>Max. Resolution</b>	1024 x 768 (XGA) with 16.2M colors
<b>Luminance</b>	500 cd/m <sup>2</sup> (typ.)
<b>Contrast Ratio</b>	700 :1
<b>View Angle (U/D/R/L)</b>	70°/70°/80°/80°
<b>Backlight Type</b>	LED

### Power Supply

<b>Adapter Input</b>	100 ~ 240VAC (Full Range)
<b>Adapter Output</b>	19VDC, 4.74A, 90W
<b>Battery Type</b>	Li-battery pack
<b>Battery Capacity</b>	2 x 1880mAh 4-cell external battery packs
<b>Battery Operating Time</b>	6 hours (typ.)

### Mechanical & Environmental

<b>Operating Temp.</b>	-20 ~ 40°C (-4 ~ 104°F)
<b>Charging Temp.</b>	0 ~ 40°C (32 ~ 104°F)
<b>Storage Temp.</b>	-20 ~ 60°C (-4 ~ 140°F)
<b>Operating Humidity</b>	10 ~ 95% @ 40°C (non-condensing)
<b>Dimensions (W x D x H)</b>	320 x 246 x 29.5 mm (12.60" x 9.69" x 1.16")
<b>Gross Weight</b>	1.9 Kg (4.19 lb)
<b>Vibration</b>	3 Grms/ 5 ~ 500Hz/ random operation
<b>Shock</b>	40G peak acceleration (11 ms duration)
<b>Transit Drop</b>	3 ft., except the front side
<b>IP Rating</b>	IP-54 (whole unit)
<b>Regulatory</b>	CE/FCC Class B, VCCI, PSE and TELEC certified

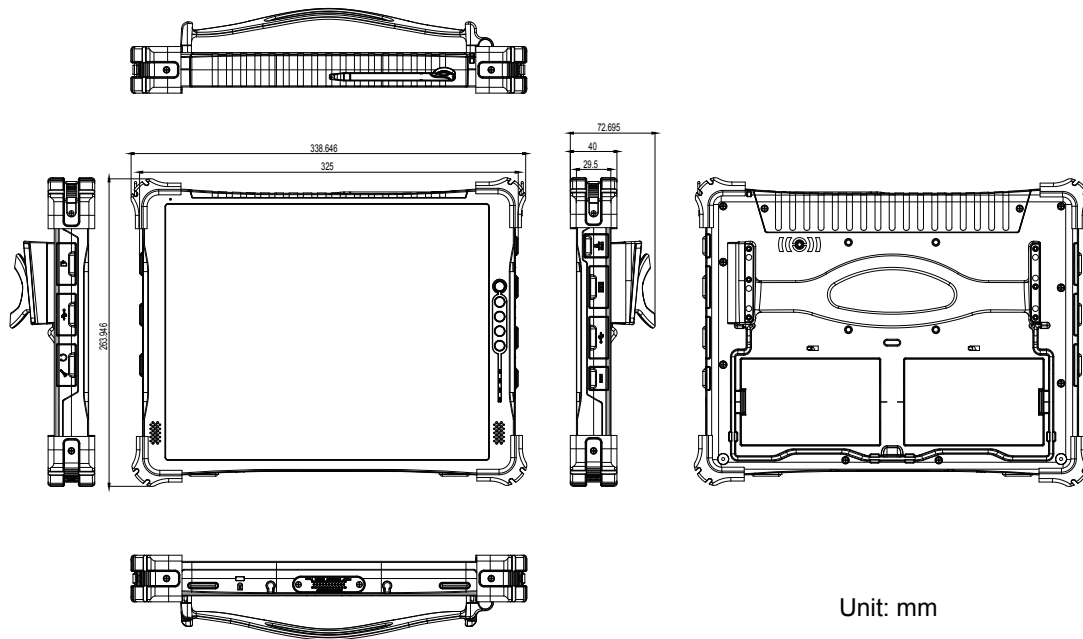
### OS Support

Windows 7 Embedded / Windows 7 Professional  
Ubuntu and Fedora Linux compatible

### Ordering Information

<b>G1220</b>	12.1" Intel® Cedar Trail N2600 Rugged Tablet PC with dual external battery packs, Bluetooth and WiFi
--------------	--

# Dimensions



Unit: mm

## Standard Accessories

**PAC-G090W**

20V/4.5A 90W AC/DC Adapter Kit



**BAT-G1220**

2 x Gray 1880mAh External Battery Kit



**Stylus**

Touch Screen Stylus (with rope)



**RS232 COM Cable**

1-to-2 RS232 Cable



## Optional Accessories

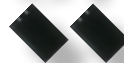
**PAC-G090W**

20V/4.5A 90W AC/DC Adapter Kit



**eBAT-1220**

Battery Kit for G1220 (2 packs)



**Stylus**

Touch Screen Stylus



**Stand-1220**

Desktop Stand



**HST-1220**

For one-handed hold of the computer



**SST-1220**

Shoulder Strap, 128 x 3.7cm



**RS232 COM Cable**

1-to-2 RS232 Cable



## Optional Configuration (CTOS\* Kit)

**HDD320G-1220**

320GB HDD Kit



**CAM-1220**

5.0M Rear CMOS Camera Kit



\*CTOS means Configure-to-Order Service.

All specifications are subject to change without notice.