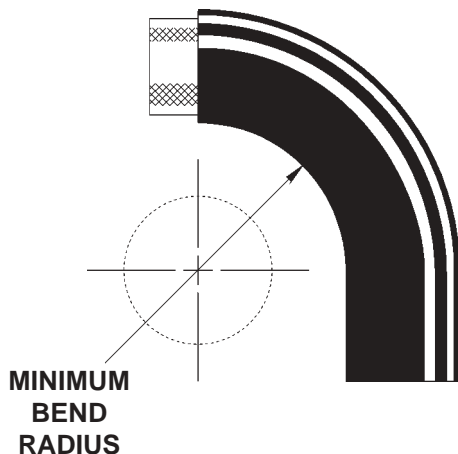
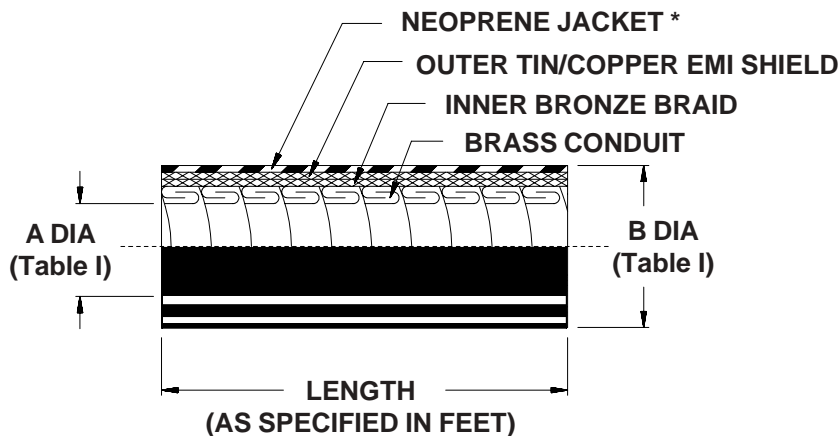
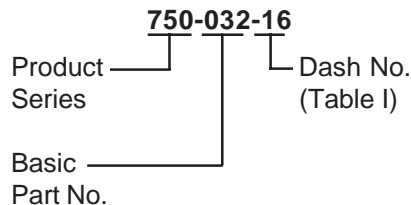




750-032
Type B Series 75 Flexible Metal-Core Conduit

**TYPE
B**

**BRASS CONDUIT
INNER BRONZE BRAID
OUTER TIN/COPPER
EMI SHIELD
EMI SHIELD
NEOPRENE JACKET***



Metric dimensions (mm) are in parentheses.

* For other jacket materials or for conduit without the jacket, consult the factory.

TABLE I			
DASH NO.	A DIA	B DIA MAX	MINIMUM BEND RADIUS**
08	.250 (6.4)	.625 (15.9)	1.750 (44.5)
12	.375 (9.5)	.750 (19.1)	2.000 (50.8)
16	.500 (12.7)	.875 (22.2)	2.500 (63.5)
20	.625 (15.9)	1.000 (25.4)	3.000 (76.2)
24	.750 (19.1)	1.141 (29.0)	3.750 (95.3)
32	1.000 (25.4)	1.500 (38.1)	5.000 (127.0)
40	1.250 (31.8)	1.750 (44.5)	6.250 (158.8)
48	1.500 (38.1)	2.000 (50.8)	7.750 (196.9)
56	1.750 (44.5)	2.250 (57.2)	8.500 (215.9)
64	2.000 (50.8)	2.531 (64.3)	10.000 (254.6)
80	2.500 (63.5)	3.031 (77.0)	12.500 (317.5)
96	3.000 (76.2)	3.560 (90.4)	15.000 (381.0)

** The minimum bend radius shown for each size is based on Type A construction (see page C-5). For multiple-braided coverings, these minimum bend radii may be increased slightly.