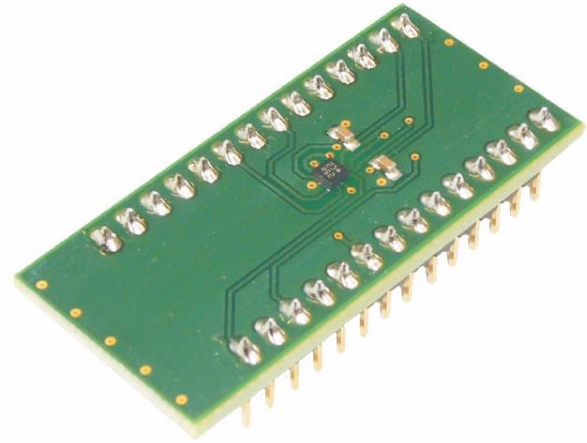


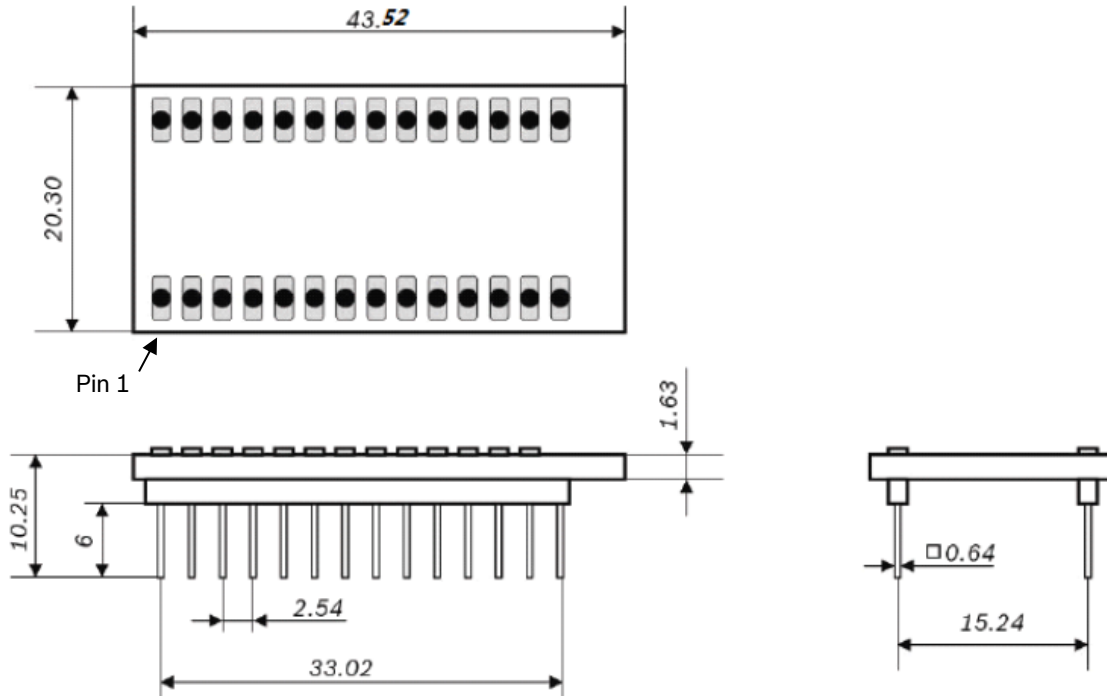
BMI085 Shuttle Board

GENERAL DESCRIPTION

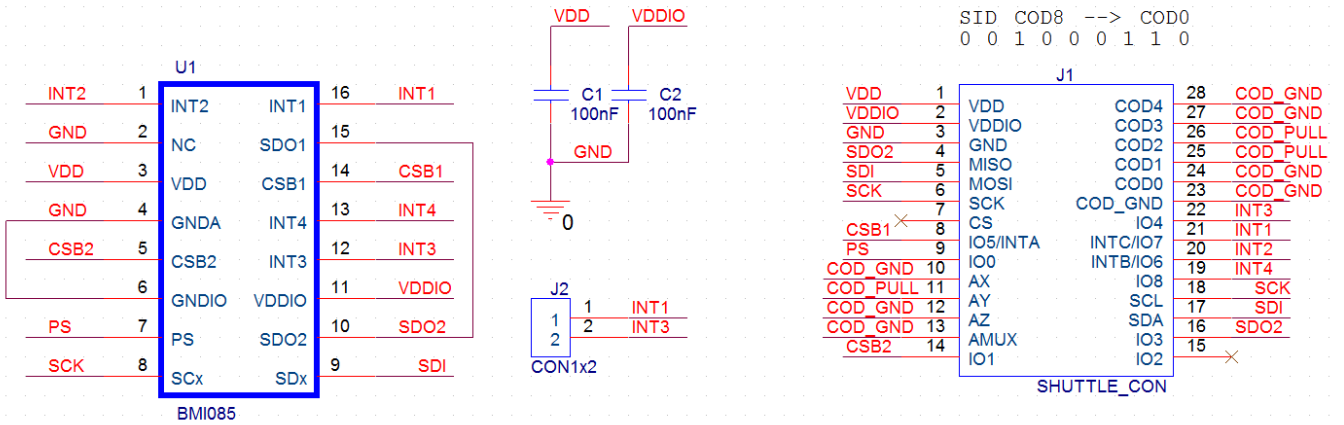
The Bosch Sensortec BMI085 shuttle board is a PCB with the BMI085 Inertial Measurement Unit (IMU) mounted on it. It allows easy access to the sensor's pins via a simple socket. As all Bosch Sensortec sensor shuttle boards have identical footprint, they can be plugged into Bosch Sensortec's advanced development tools (e.g. the Development Board or Application Board).



Note: Product photo may differ from real product's appearance.



Shuttle board outline dimensions (all dimensions in mm)



BMI085 shuttle board schematic

NOTES

- ▶ The COD_GND and COD_PULL pins are pins connected to VDD or GND and are used to identify the shuttle board on the Application board if used together with the DevelopmentDesktop2.0 evaluation software (SID = shuttle board ID).

DELIVERABLES

- ▶ BMI085 shuttle board

**Headquarters
Bosch Sensortec GmbH**

Gerhard-Kindler-Strasse 9
72770 Reutlingen · Germany
Telephone +49 7121 3535 900
Fax +49 7121 3535 909

www.bosch-sensortec.com

Mouser Electronics

Authorized Distributor

Click to View Pricing, Inventory, Delivery & Lifecycle Information:

[Bosch:](#)

[BMI085 Shuttle Board](#)