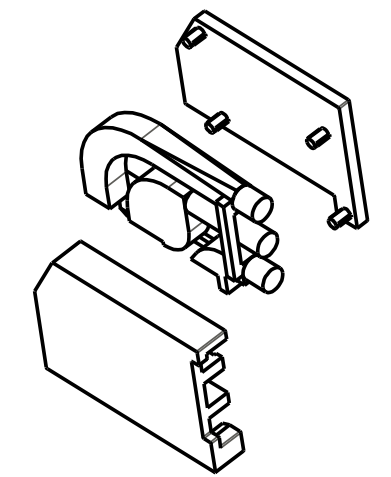
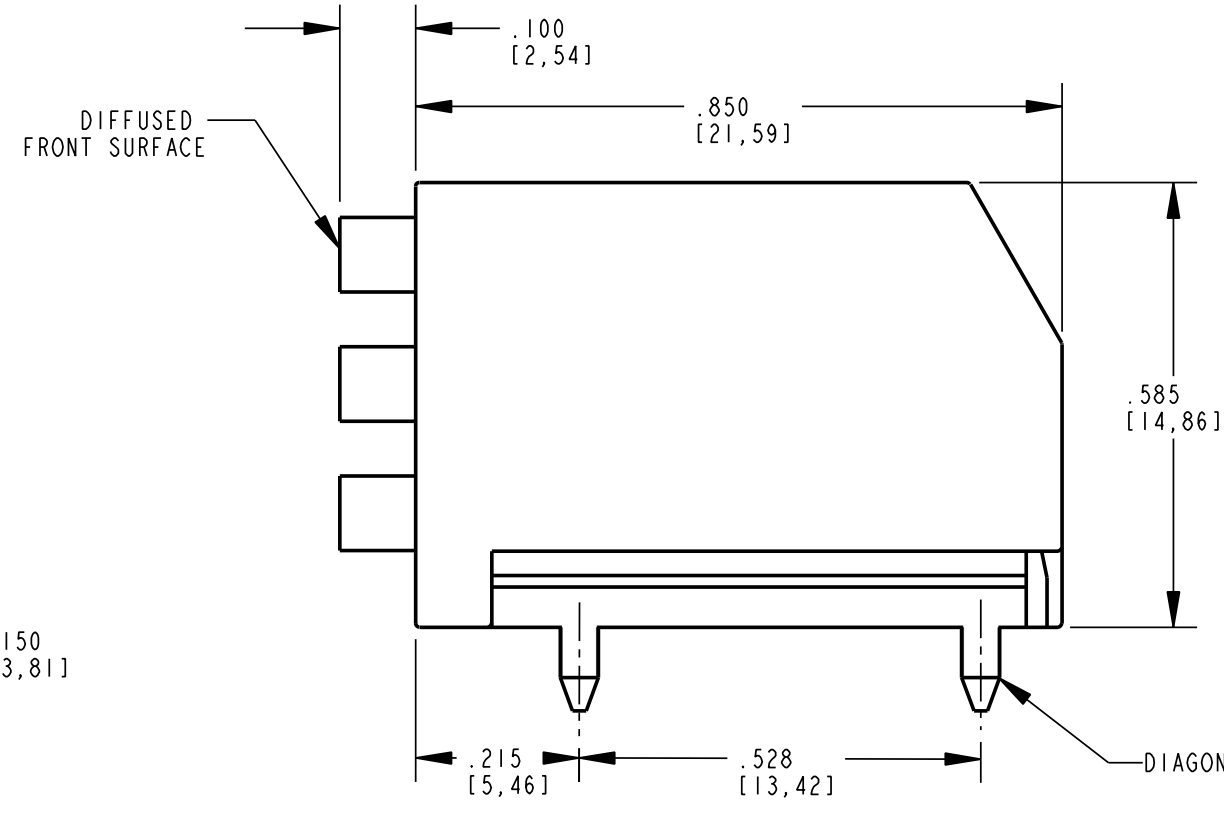
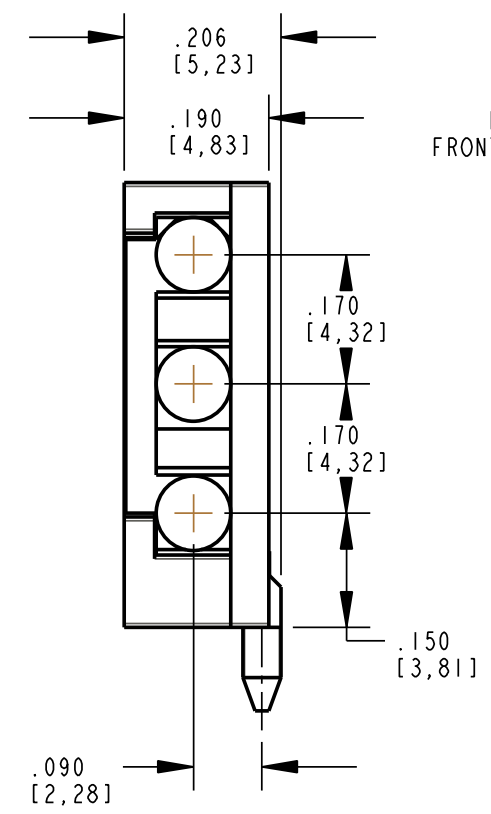
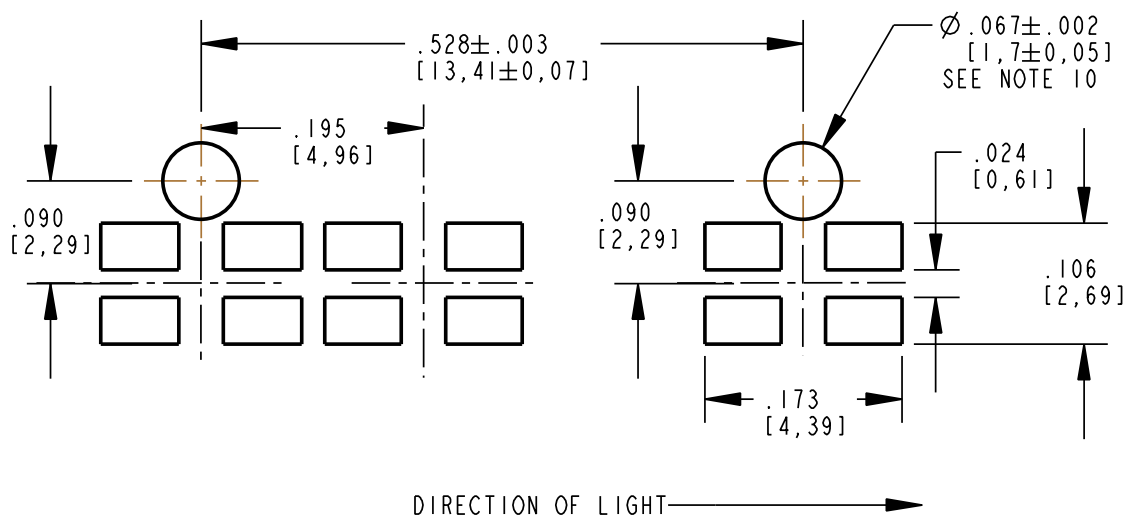


- NOTES:
- UNLESS OTHERWISE SPECIFIED, ALL SURFACES ON LIGHT PIPE MUST HAVE FINISH OF SPE-SPI #1 TO #2.
 - COMPONENTS MOLDED FROM RAW MATERIALS THAT MEET THE UL94V-0 FLAMMABILITY CLASS.
 - UNLESS OTHERWISE SPECIFIED, SINK MARKS & KNOCKOUT MARKS NOT TO EXCEED .005 RECESSED.
 - FLASH NOT TO EXCEED .005.
 - NO BUBBLES IN LIGHTPATH GREATER THAN .005.
 - GATE VESTIGE $\pm .010$ FROM SURFACE.
 - MARKING FOR CAVITY IDENTIFICATION NOT TO EXCEED .003, RAISED OR LOWERED NOT TO EXCEED .005.
 - DIALIGHT P/N: 515-1064-804F
 - PACKAGE IN ANTISTATIC BAG 25 PCS/BAG
 - FOR HIGH INSERTION FORCE PRESS FIT (30-50 LBS), USE MOUNTING HOLE SIZE $\phi .064 \pm .002$ ". THIS MAY REQUIRE USE OF PLASTIC INSERTION TOOL.

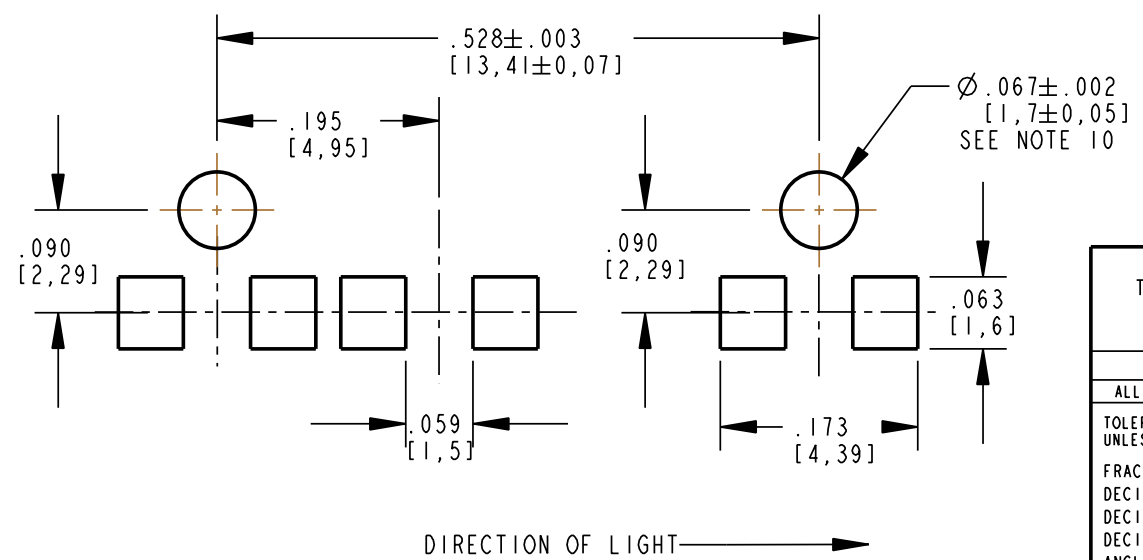
REV	ECN NO	REVISIONS	DRN	CKD	APP	DATE
A	—	NEW RELEASE	KLJ	N.O.	MS	9-28-07
B	—	REMOVED "0.050 SQUARE", " $\phi .070 + .003 / - .001$ " WAS " $\phi .069 + .002 / - .000$ ", ".067 \pm .002" WAS ".064 \pm .002" ADDED NOTES 2 AND 10.	KLJ			



SCALE 1.500



REFERENCE SOLDERPAD/HOLE LAYOUT FOR BI-COLOR LEDS
LED P/N 597-77XX-507F



REFERENCE SOLDERPAD/HOLE LAYOUT FOR SINGLE-COLOR LEDS
P/N 597-3XXI-507F

THIS DRAWING AND THE CONTENTS HEREIN ARE CONFIDENTIAL AND THE SOLE PROPERTY OF DIALIGHT. REPRODUCTION OF THIS DRAWING OR CONSTRUCTION OF ANY PARTS WITHIN THIS DRAWING ARE FORBIDDEN WITHOUT THE WRITTEN CONSENT OF DIALIGHT.		
SCALE: 2.000 ALL DIM'S IN: INCHES (MM)	DRAWING NUMBER C-17543	REV B
TOLERANCES: UNLESS OTHERWISE SPECIFIED FRACTIONS: $\pm 1/64$ DECIMALS (.XX): $\pm .01$ DECIMALS (.XXX): $\pm .005$ DECIMALS (.XXXX): $\pm .0005$ ANGLES: $\pm 1^\circ$	TITLE LIGHT PIPE WITH SHIELD ASSEMBLY (ROHS COMPLIANT)	
FINISH:	MATERIAL	
FSCM 83330	1501 ROUTE 34 SOUTH FARMINGDALE, NJ 07727	
	SHEET 1 OF 1	FAMILY TABLE: