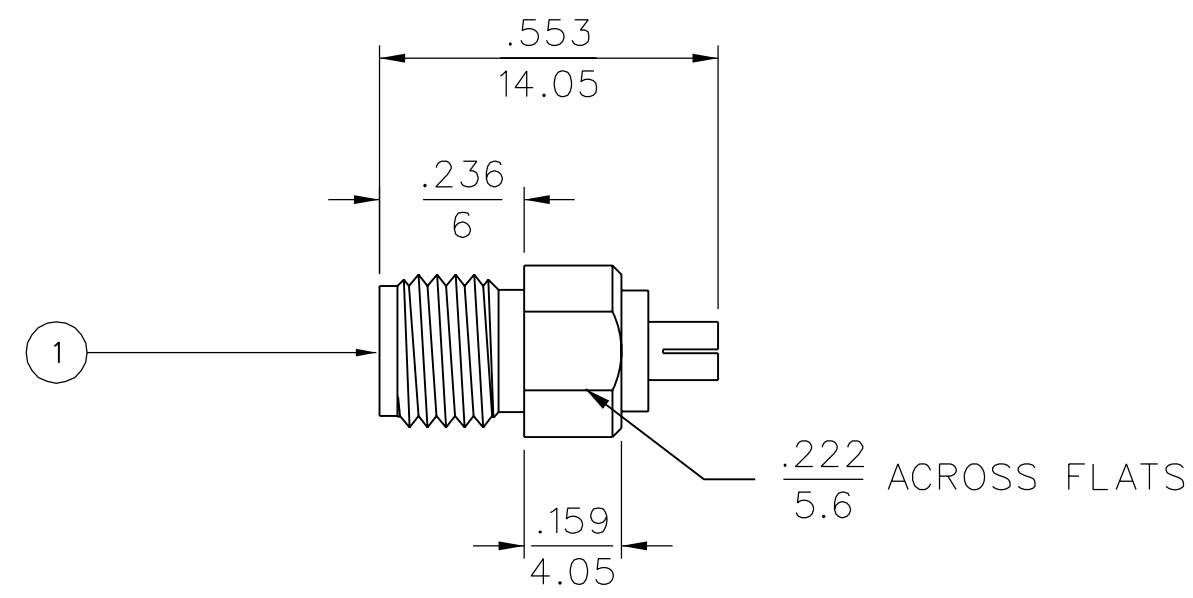


PART NUMBER	ITEM ① UMC TO SMA JACK CONVERSION ADAPTER
134-1019-371	BODY - STAINLESS STEEL - GOLD PLATED INNER CONTACT - BERYLLIUM COPPER - GOLD PLATED OUTER CONTACT - BERYLLIUM COPPER - GOLD PLATED INSULATOR - FLUORINE PLASTICS

DRAWING NO.	
B- 134-1019-371/380	
0	REVISIONS
ENGINEERING RELEASE	
1	12-1-06 P A T S B D R J B P D W 12-27-06 ECN 50794



NOTES:

1. SPECIFICATIONS:

IMPEDANCE: 50 OHMS
 FREQUENCY RANGE: 0-6 GHz
 VSWR: 1.30 MAX AT 0-6 GHz

MECHANICAL (UMC):

COMPATIBILITY: MATES WITH U.FL SERIES
 DISENGAGEMENT FORCE (MIN): 0.15 N (FEMALE CONTACT)
 DURABILITY: 500 CYCLES

ENVIRONMENTAL:

TEMPERATURE RANGE: -40° C TO +90° C

2. APPLICATION:

PLEASE USE THIS CONNECTOR FOR MEASURING THE PROPAGATION PERFORMANCE.

CUSTOMER DRAWING

THIS DRAWING TO BE INTERPRETED PER ASME Y 14.5M - 1994

"μSTATION"

COMPANY CONFIDENTIAL

TOLERANCE UNLESS OTHERWISE SPECIFIED		DRAWN BY	DATE
DECIMALS	mm	SBD	11/29/06
.XX	_____	CHECKED BY	DATE
.XXX REF	_____	RJB	12-13-06
MATL	_____	APPROVED BY	DATE
FINISH	_____	PDW	12-22-06
		RELEASE DATE	12-27-06
		U/M INCH/mm	SCALE 3:1

		Connectivity Solutions P.O. Box 1732 Waseca, MN 56093 1-800-247-8256	
		TITLE	
UMC PLUG TO SMA JACK CONVERSION JACK ADAPTER		SHEET	DRAWING NO.
2 OF 2		B- 134-1019-371/380	