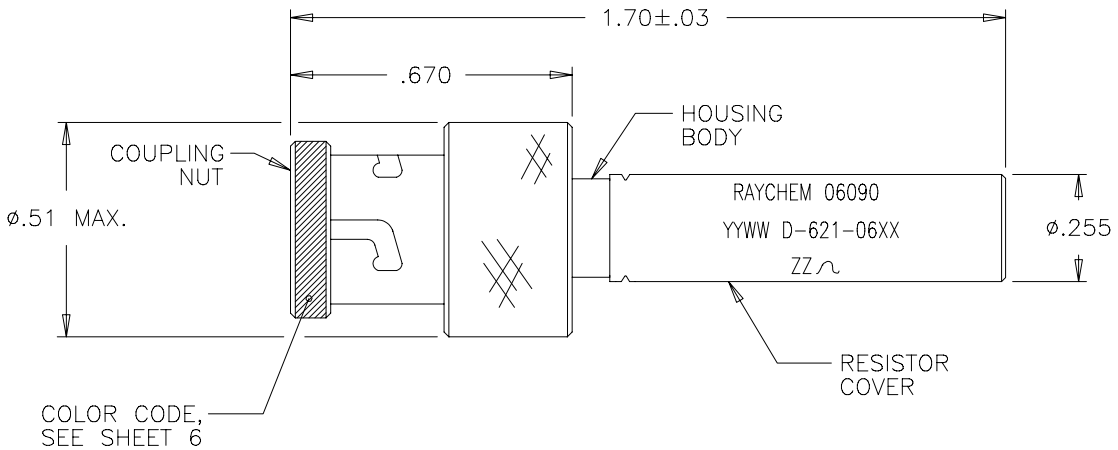


| REVISIONS | | | |
|-----------|--------------------------|-----------|----------|
| LTR | DESCRIPTION | DATE | APPROVED |
| F | REVISED PER ECN T-12846 | 89 SEPT 9 | Z. TEMAN |
| G | REVISED PER ECN# T-14157 | 90 APR 10 | Z. TEMAN |
| H | REVISED PER ECN# T-21490 | 6/10/97 | Z. TEMAN |

* (-L) ADDED TO D-621-04XX NUMBER INDICATES LANYARD, SEE SHEETS 3 AND 4.



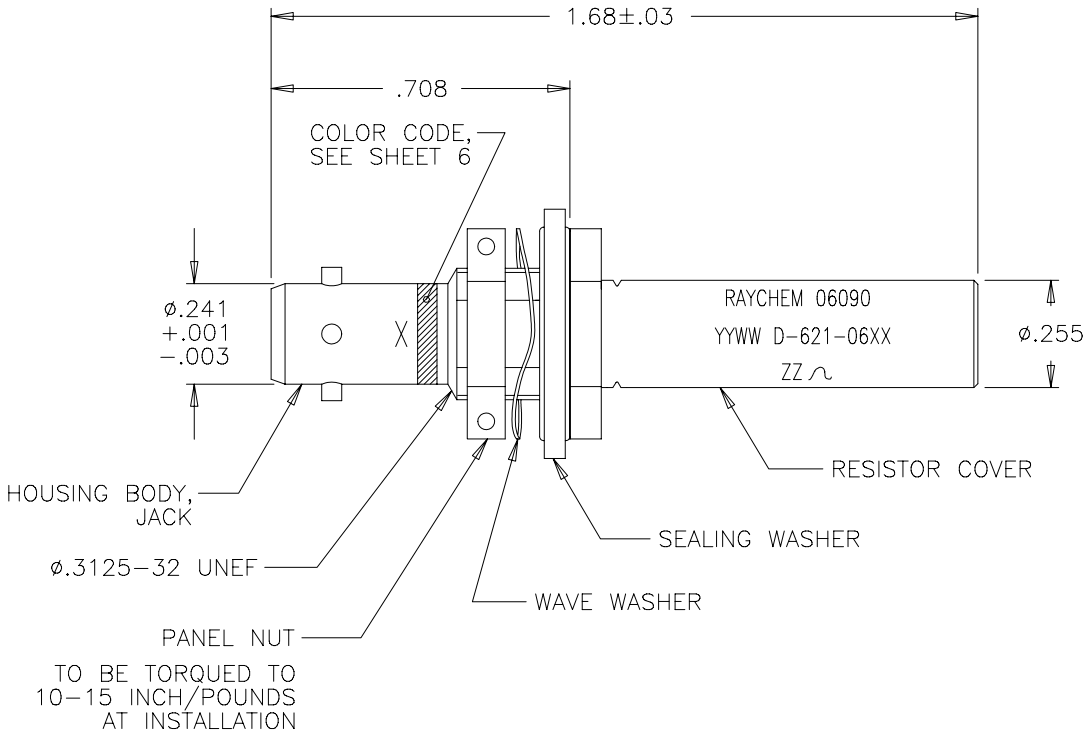
(TRIAxIAL CONNECTOR, PLUG WEIGHT: 16 GRAMS MAX.)

**If this document is printed it becomes uncontrolled.
Check with the web for latest revision.**

SPECIFICATION CONTROL DRAWING

| | | | | | | | |
|--------------------------------------------------------------------------------------------------|--------------------------------------------------------|----------|------------|---------------------------|-------------------------------------------------------------------------------|-------------------------------------------------------------------------------------|--------------|
| UNLESS OTHERWISE SPECIFIED DIMENSIONS ARE IN INCHES. METRIC DIMENSIONS ARE IN BRACKETS. | DRAWN | J.B.K. | 89 JULY 21 | <i>Raychem</i> | RAYCHEM CORPORATION 300 CONSTITUTION DRIVE MENLO PARK, CALIFORNIA 94025 | | |
| | CHECKED | | | | TITLE | CORROSION RESISTANT CONNECTOR, TRIAxIAL, BAYONET COUPLED, RESISTOR TERMINATOR | |
| | APPROVED | | | APPROVED | Z.TEMAN | | |
| | DECIMALS .XXX ± .005 { — mm } .XX ± .01 { — mm } | CAD NAME | | | SIZE | CODE IDENT. NO. | DWG. NO. |
| ANGLES .X ± 1° | T21490a | | | A | 06090 | D-621-0653/0684[-L] | H |
| WEIGHT — lbs { — g MAX. } | THIRD ANGLE PROJECTION | | | DO NOT SCALE THIS DRAWING | | | SHEET 1 OF 7 |

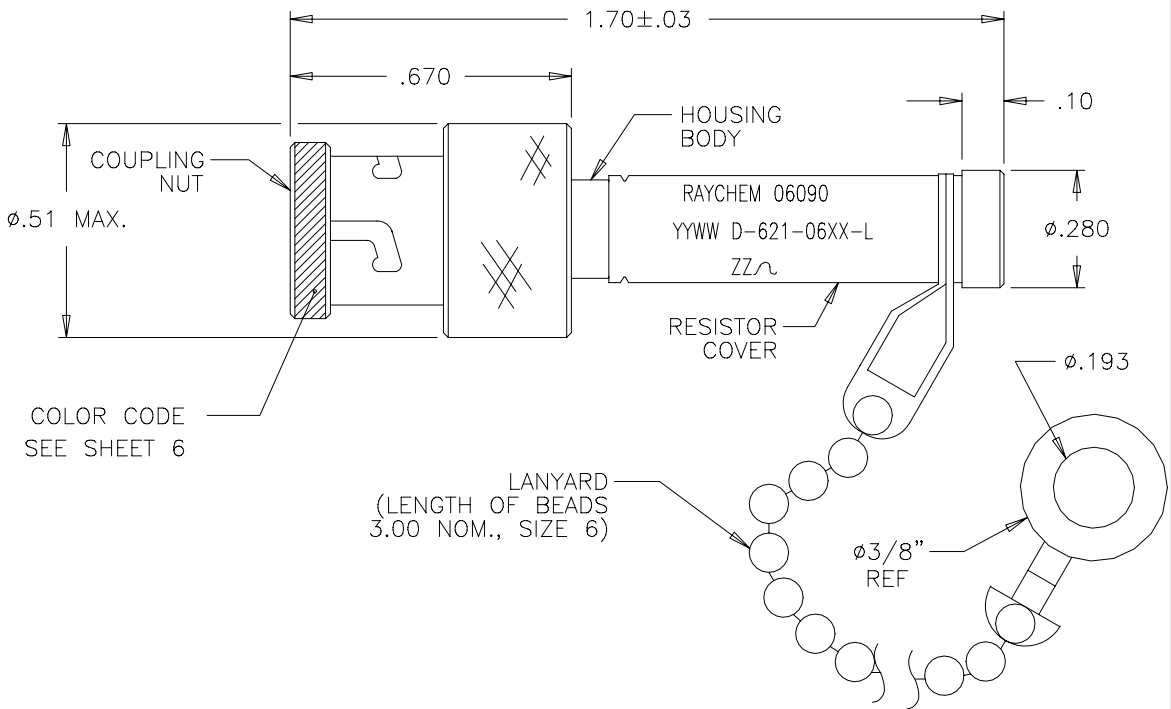




(TRIAXIAL CONNECTOR, JACK WEIGHT: 14 GRAMS MAX.)

**If this document is printed it becomes uncontrolled.
Check with the web for latest revision.**

| | | | | | | | |
|---------------------------|--------|--------|------------|------|-----------------|---------------------|-----|
| CAD NAME: T21490b | DRAWN | J.B.K. | 89 JULY 21 | SIZE | CODE IDENT. NO. | DWG. NO. | REV |
| | ISSUED | | | A | 06090 | D-621-0653/0684[-L] | H |
| DO NOT SCALE THIS DRAWING | | | | | | SHEET 2 OF 7 | |



COLOR CODE
SEE SHEET 6

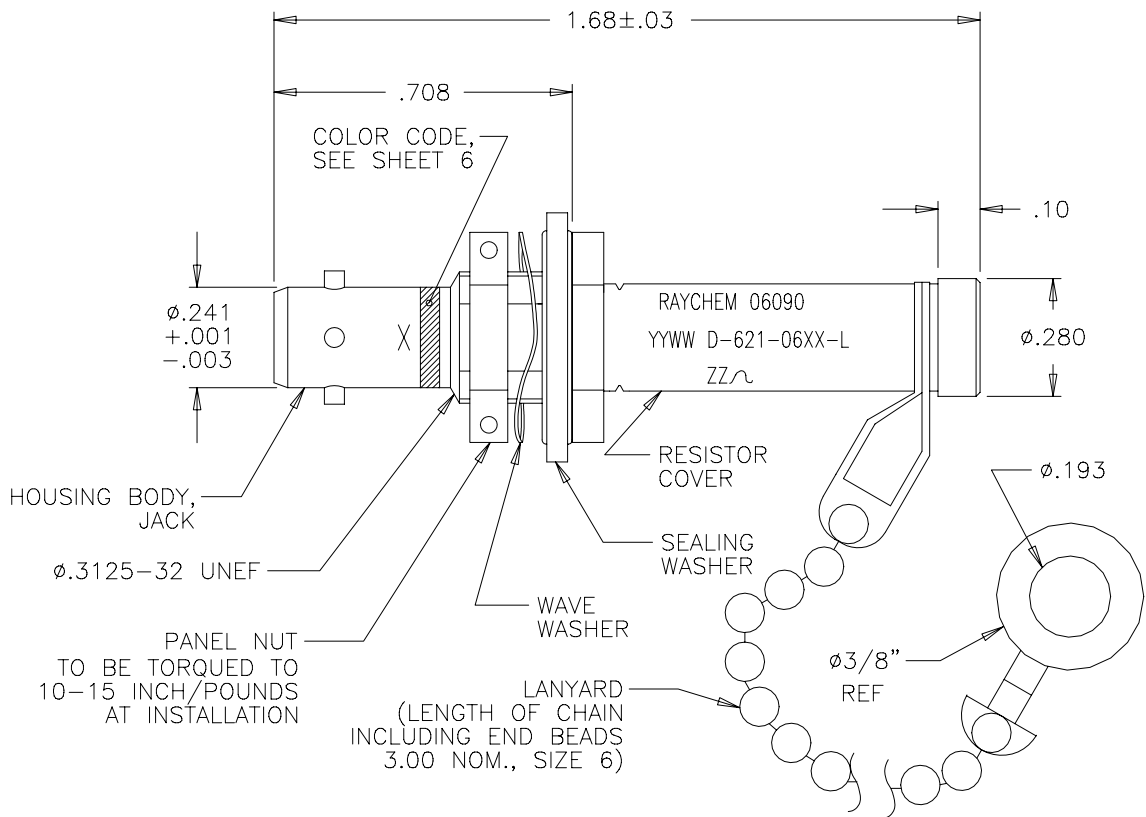
(TRIAxIAL CONNECTOR, WITH LANYARD, PLUG WEIGHT: 21 GRAMS MAX.)

If this document is printed it becomes uncontrolled.
Check with the web for latest revision.

CAD NAME: T21490c

| | | | | | | |
|---------------------------|--------|-----------|------|-----------------|---------------------|-----|
| DRAWN | J.B.K. | 89 AUG 25 | SIZE | CODE IDENT. NO. | DWG. NO. | REV |
| ISSUED | | | A | 06090 | D-621-0653/0684(-L) | H |
| DO NOT SCALE THIS DRAWING | | | | | SHEET 3 OF 7 | |





TRIAxIAL CONNECTOR, WITH LANYARD, JACK WEIGHT: 19 GRAMS MAX.)

**If this document is printed it becomes uncontrolled.
Check with the web for latest revision.**

| | | | | | | | |
|---------------------------|--------|--------|------------|------|-----------------|---------------------|-----|
| CAD NAME: T21490d | DRAWN | J.B.K. | 89 JULY 21 | SIZE | CODE IDENT. NO. | DWG. NO. | REV |
| | ISSUED | | | A | 06090 | D-621-0653/0684[-L] | H |
| DO NOT SCALE THIS DRAWING | | | | | | SHEET 4 OF 7 | |

1.0 MATERIALS AND FINISHES

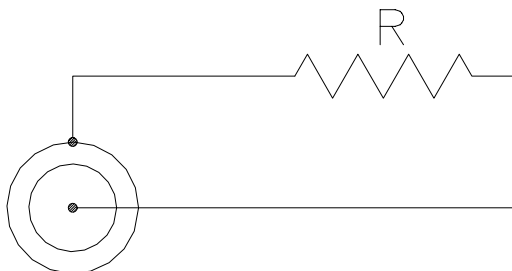
- 1.1 HOUSING BODY: BECU PER ASTM B 196, TIN PLATED PER MIL-T-10727, OVER NICKEL PER QQ-N-290
- 1.1.1 INSULATION: POLYETHERSULFONE
- 1.2 COUPLING NUT: (PLUG) BECU PER ASTM B 196, TIN PLATED PER MIL-T-10727, OVER NICKEL PER QQ-N-290
- 1.2.1 INTERFACIAL SEAL: SILICONE RUBBER
- 1.3 PANEL NUT: (JACK) BRASS ALLOY PER ASTM B16, TIN PLATED PER MIL-T-10727, OVER NICKEL PER QQ-N-290.
- 1.4 WAVE WASHER: (JACK) BECU PER ASTM B194, TIN PLATED PER MIL-T-10727 OVER NICKEL PER QQ-N-290
- 1.5 SEALING WASHER: (JACK) SILICONE RUBBER (AMS 3304), STAINLESS STEEL PER MIL-S-5059, PASSIVATED PER QQ-P-35.
- 1.6 RESISTOR COVER: 300 SERIES STAINLESS STEEL PER ASTM A582, TIN PLATED PER MIL-T-10727, OVER NICKEL PER MIL-C-26074
- 1.7 LANYARD: CORROSION RESISTANT STEEL, TIN PLATED PER MIL-T-10727, OVER NICKEL PER QQ-N-290

2.0 PERFORMANCE CAPABILITIES

2.1 REFER TO RAYCHEM SPECIFICATION D-6025 (SUPERSEDES D-6050) AND D-6020 FOR PERFORMANCE AND QUALIFICATION REQUIREMENTS.

2.2 GENERAL CHARACTERISTICS.

- 2.2.1 OPERATING TEMPERATURE: -65°C TO 125°C
- 2.2.2 INSULATION RESISTANCE: GREATER THEN 5K MEG *
- 2.2.3 DIELECTRIC STRENGTH: 900 VAC AT 60 Hz *
- 2.2.4 POWER RATING: 1 WATT MAX.
- 2.2.5 TERMINATOR RESISTANCE: SEE RESISTANCE VALUES, SHEET 7 OF 7
- 2.2.6 SALT SPRAY CORROSION RESISTANCE: 500 HOURS



* BETWEEN INNER COAXIAL CONTACT AND OUTER HOUSING

R = SEE SHEET 7 OF 7 FOR RESISTANCE VALUE ±2%

**If this document is printed it becomes uncontrolled.
Check with the web for latest revision.**

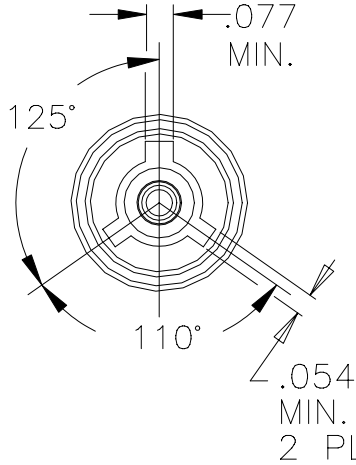
| | | | | | | | |
|---------------------------|--------|--------|------------|------|-----------------|---------------------|-----|
| CAD NAME: T21490e | DRAWN | J.B.K. | 89 JULY 21 | SIZE | CODE IDENT. NO. | DWG. NO. | REV |
| | ISSUED | | | A | 06090 | D-621-0653/0684[-L] | H |
| DO NOT SCALE THIS DRAWING | | | | | | SHEET 5 OF 7 | |

CAD NAME T21490F

| | |
|--------|------------|
| ISSUED | DRAWN |
| | J.B.K. |
| | 89 JULY 21 |

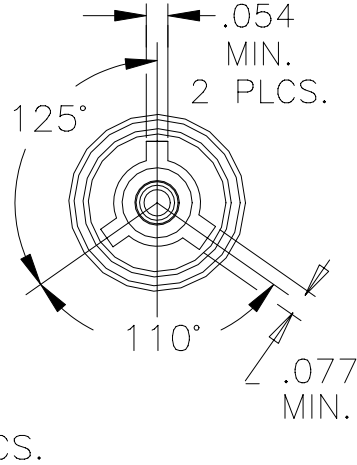
| | | | | |
|---------------------------|------|-----------------|-----------------|--------|
| DO NOT SCALE THIS DRAWING | SIZE | CODE IDENT. NO. | DWG. NO. | REV |
| | A | 06090 | D-621-0653/0684 | H |
| | | | | 6 OF 7 |

INTERFACE "A" PLUG



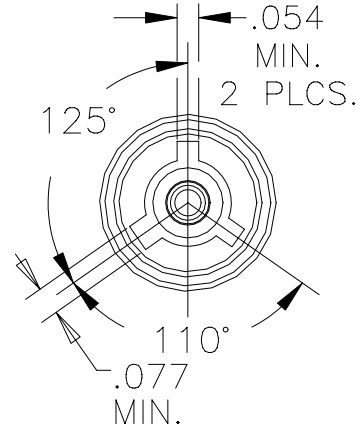
COLOR CODE: RED

INTERFACE "B" PLUG



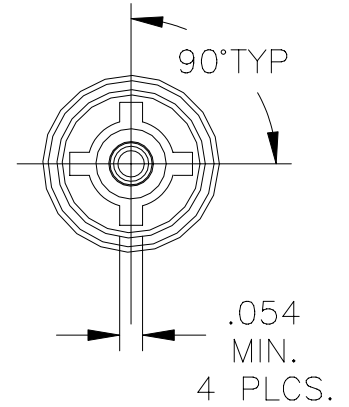
COLOR CODE: WHITE

INTERFACE "C" PLUG



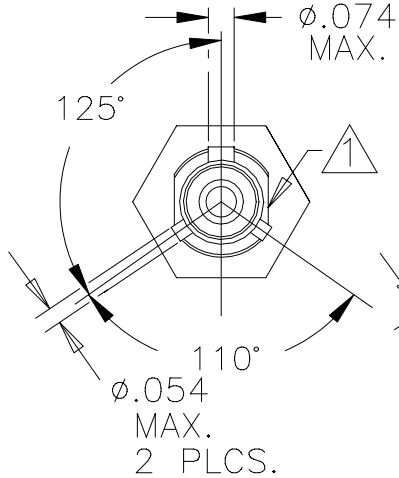
COLOR CODE: GREEN

INTERFACE "D" PLUG

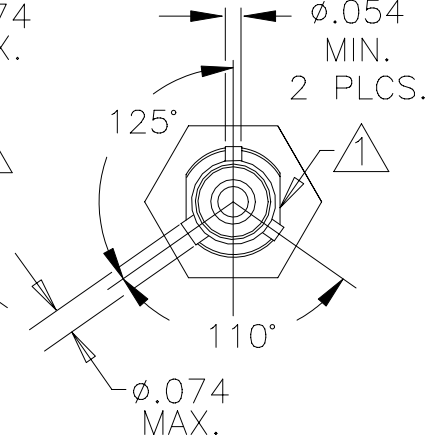


NO COLOR CODE

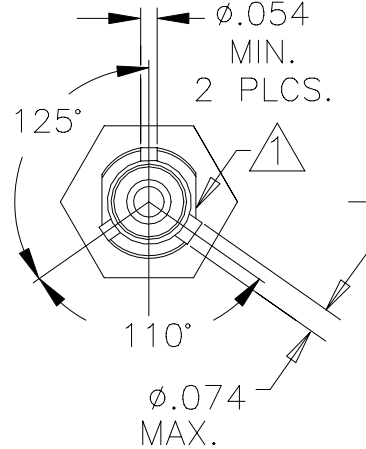
JACK



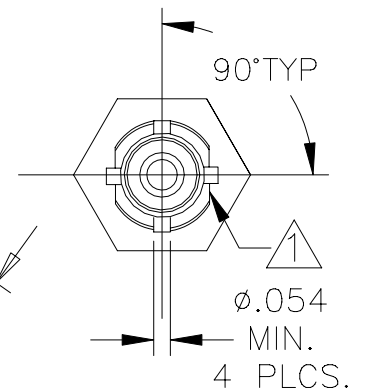
JACK



JACK



JACK



If this document is printed it becomes uncontrolled. Check with the web for latest revision.

NOTES:

▲ MAJOR KEY ORIENTATION WITH RESPECT TO FLATS IS NOT CONTROLLED.

SEE SHEET 1 FOR REVISION

NOTES:

SEE SHEET 1 FOR REVISION

△ SUFFIX -L INDICATES PARTS WITH LANYARD, SEE SHEETS 3 AND 4.

| DRAWING NO. | CONNECTOR | DESCRIPTION | | RESISTANCE VALUE ±2% |
|----------------|-----------|-------------|-------------------|----------------------|
| | | INTERFACE | INSTALLED CONTACT | |
| D-621-0653(-L) | PLUG | "A" | PIN | 78 OHMS |
| D-621-0654(-L) | PLUG | "B" | PIN | 78 OHMS |
| D-621-0655(-L) | PLUG | "C" | PIN | 78 OHMS |
| D-621-0656(-L) | PLUG | "D" | PIN | 78 OHMS |
| D-621-0657(-L) | PLUG | "A" | PIN | 3000 OHMS |
| D-621-0658(-L) | PLUG | "B" | PIN | 3000 OHMS |
| D-621-0659(-L) | PLUG | "C" | PIN | 3000 OHMS |
| D-621-0660(-L) | PLUG | "D" | SOCKET | 3000 OHMS |
| D-621-0661(-L) | JACK | "A" | SOCKET | 78 OHMS |
| D-621-0662(-L) | JACK | "B" | SOCKET | 78 OHMS |
| D-621-0663(-L) | JACK | "C" | SOCKET | 78 OHMS |
| D-621-0664(-L) | JACK | "D" | SOCKET | 78 OHMS |
| D-621-0665(-L) | JACK | "A" | SOCKET | 3000 OHMS |
| D-621-0666(-L) | JACK | "B" | SOCKET | 3000 OHMS |
| D-621-0667(-L) | JACK | "C" | SOCKET | 3000 OHMS |
| D-621-0668(_L) | JACK | "D" | SOCKET | 3000 OHMS |
| D-621-0669(-L) | PLUG | "A" | SOCKET | 78 OHMS |
| D-621-0670(-L) | PLUG | "B" | SOCKET | 78 OHMS |
| D-621-0671(-L) | PLUG | "C" | SOCKET | 78 OHMS |
| D-621-0672(-L) | PLUG | "D" | SOCKET | 78 OHMS |
| D-621-0673(-L) | PLUG | "A" | SOCKET | 3000 OHMS |
| D-621-0674(-L) | PLUG | "B" | SOCKET | 3000 OHMS |
| D-621-0675(-L) | PLUG | "C" | SOCKET | 3000 OHMS |
| D-621-0676(-L) | PLUG | "D" | PIN | 3000 OHMS |
| D-621-0677(-L) | JACK | "A" | PIN | 78 OHMS |
| D-621-0678(-L) | JACK | "B" | PIN | 78 OHMS |
| D-621-0679(-L) | JACK | "C" | PIN | 78 OHMS |
| D-621-0680(-L) | JACK | "D" | PIN | 78 OHMS |
| D-621-0681(-L) | JACK | "A" | PIN | 3000 OHMS |
| D-621-0682(-L) | JACK | "B" | PIN | 3000 OHMS |
| D-621-0683(-L) | JACK | "C" | PIN | 3000 OHMS |
| D-621-0684(-L) | JACK | "D" | PIN | 3000 OHMS |

**If this document is printed it becomes uncontrolled.
Check with the web for latest revision.**

CAD NAME: T21490g

| | | | | | | |
|--------|--------|-----------|---------------------------|--------------------------|---------------------------------|----------|
| DRAWN | J.B.K. | 89 AUG 25 | SIZE A | CODE IDENT. NO. 06090 | DWG. NO. D-621-0653/0684(-L) | REV H |
| ISSUED | | | DO NOT SCALE THIS DRAWING | | SHEET 7 OF 7 | |