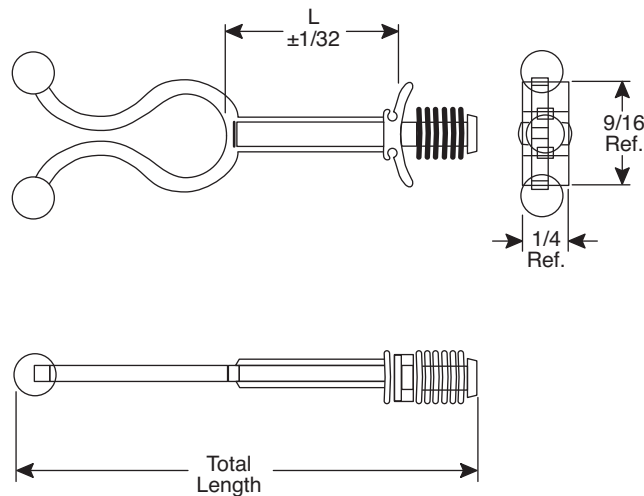


# “EZ” Twist Lock on Fin Clip Base

561-EZFB025, 561-EZF37B37, 561-EZFB050,  
 561-EZ37C62, 561-EZ50C37, 561-EZ50C50,  
 561-EZ50C62, 561-EZ50C100, 561-EZ62C37,  
 561-EZ62C50, 561-EZ62C62, 561-EZ62C100

Date Last Revised: 11-8-10

DIMENSIONS: IN.



## SPECIFICATIONS

**Material:** Molded in Natural Nylon 6/6  
 RoHS Compliant

Part Number	Description	Bundle Diameter	Length	Total Length	Mounting Hole	Panel Range
561-EZFB025	1/32 - 1/4	0.375 (+/-0.015)	0.200 (+/-0.0031)	1.656 (ref.)	0.187 (+/-0.005)	1/32 - 1/4
561-EZF37B37	1/32 - 1/4	0.375 (+/-0.015)	0.315 (+/-0.0031)	1.781 (ref.)	0.187 (+/-0.005)	1/32 - 1/4
561-EZFB050	1/32 - 1/4	0.375 (+/-0.015)	0.437 (+/-0.0031)	1.906 (ref.)	0.187 (+/-0.005)	1/32 - 1/4
561-EZ37C62	1/32 - 1/4	0.375 (+/-0.015)	0.555 (+/-0.0031)	2.031 (ref.)	0.187 (+/-0.005)	1/32 - 1/4
561-EZ50C37	1/32 - 1/4	0.500 (+/-0.015)	0.318 (+/-0.0031)	1.844 (ref.)	0.250 (+/-0.005)	1/32 - 1/4
561-EZ50C50	1/32 - 1/4	0.500 (+/-0.015)	0.447 (+/-0.0031)	1.984 (ref.)	0.250 (+/-0.005)	1/32 - 1/4
561-EZ50C62	1/32 - 1/4	0.500 (+/-0.015)	0.596 (+/-0.0031)	2.125 (ref.)	0.250 (+/-0.005)	1/32 - 1/4
561-EZ50C100	1/32 - 1/4	0.500 (+/-0.015)	0.942 (+/-0.0031)	2.469 (ref.)	0.250 (+/-0.005)	1/32 - 1/4
561-EZ62C37	1/32 - 1/4	0.625 (+/-0.015)	0.319 (+/-0.0031)	1.937 (ref.)	0.250 (+/-0.005)	1/32 - 1/4
561-EZ62C50	1/32 - 1/4	0.625 (+/-0.015)	0.442 (+/-0.0031)	2.047 (ref.)	0.250 (+/-0.005)	1/32 - 1/4
561-EZ62C62	1/32 - 1/4	0.625 (+/-0.015)	0.595 (+/-0.0031)	2.187 (ref.)	0.250 (+/-0.005)	1/32 - 1/4
561-EZ62C100	1/32 - 1/4	0.625 (+/-0.015)	0.935 (+/-0.0031)	2.547 (ref.)	0.250 (+/-0.005)	1/32 - 1/4

Available from Mouser Electronics  
 1-800-346-6873 / [www.mouser.com](http://www.mouser.com)

EPD-200892