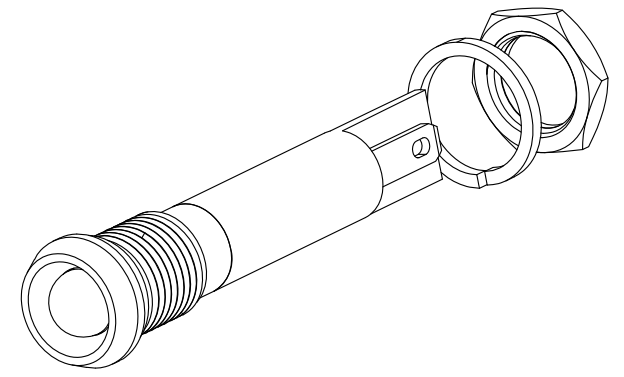
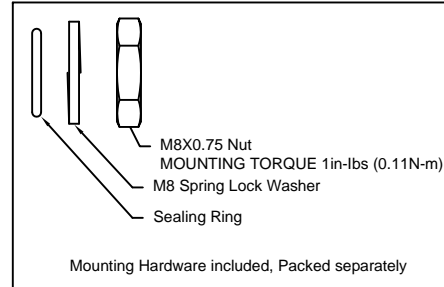
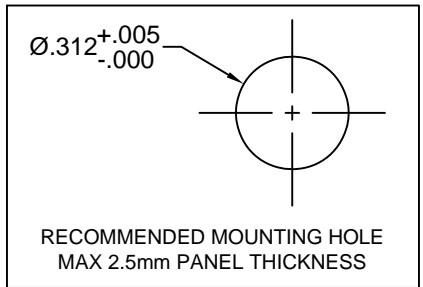


| REV. | DESCRIPTION | DATE | APPROVED |
|------|--------------------------------|----------|----------|
| A | Engineering Release | 08/18/14 | J. C. |
| B | Engineering Update w/o Changes | 08/11/16 | J. C. |
| | | | |
| | | | |



M8X0.75 Nut
RECOMMENDED MOUNTING TORQUE
1in-lbs (0.11N-m)

Quick Connect Terminal
0.110" Wide X 0.030" Thick Blades
Terminal 1: Bronze Color
Terminal 2: Silver Color



- NOTES:
1. SEALED TO IP54 RATING
 2. VOLTAGE INPUT OPTIONS: 12V/24V/110V/220V
 3. ROHS COMPLIANT
 4. MOUNTING HARDWARE PACKED SEPARATELY NON-ASSEMBLED
 5. INSERT SEALING RING ON PANEL MOUNT ASSEMBLY PRIOR TO PANEL INSTALLATION


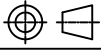
| STANDARD TOLERANCE (UNLESS OTHERWISE SPECIFIED) | | BIVAR® | |
|----------------------------------------------------|-------------------|-----------------------------------------------------------|----------------|
| DECIMALS | ANGULAR | 4 THOMAS, IRVINE, CA. 92618 | |
| .X ±.1 | X° ±1° | TEL: (949) 951-8808 FAX: (949) 951-3974 | |
| .XX ±.02 | | TITLE: MPC8-1 SERIES, IP54 RATED PANEL MOUNT INDICATOR | |
| .XXX ±.010 | | PART NO: MPC8-1XDXXV | |
| DESIGNED: M. Doan | DATE: 08/18/14 | REVISION: B | |
| CHECKED: B. Oliver | DATE: 08/18/14 | CAGE CODE : 32559 | SHEET # 1 OF 2 |
| CAD GENERATED DOCUMENT. DO NOT MEASURE DRAWING. | | | |

| | | | |
|------|--------------|------|----------|
| REV. | DESCRIPTION | DATE | APPROVED |
| | SEE SHEET #1 | | |

| Part Number | Dominant Wave Length λ_d (nm) | Emitted Color | Lens Appearance | Voltage | Luminous Intensity (mcd) | Viewing Angle (degree) |
|---------------|---------------------------------------|---------------|-----------------|---------|--------------------------|------------------------|
| MPC8-1RD12V | 625 | Red | Diffused | 12V | 310 | 45 |
| MPC8-1GD12V | 515 | Green | Diffused | 12V | 2090 | 45 |
| MPC8-1YD12V | 590 | Yellow | Diffused | 12V | 310 | 45 |
| MPC8-1BWD12V | 470 | Blue | Diffused | 12V | 625 | 45 |
| MPC8-1WD12V | x=0.36, y=0.32 | White | Diffused | 12V | 4910 | 45 |
| MPC8-1RD24V | 625 | Red | Diffused | 24V | 310 | 45 |
| MPC8-1GD24V | 515 | Green | Diffused | 24V | 2090 | 45 |
| MPC8-1YD24V | 590 | Yellow | Diffused | 24V | 310 | 45 |
| MPC8-1BWD24V | 470 | Blue | Diffused | 24V | 625 | 45 |
| MPC8-1WD24V | x=0.36, y=0.32 | White | Diffused | 24V | 4910 | 45 |
| MPC8-1RD110V | 625 | Red | Diffused | 110V | 20 | 45 |
| MPC8-1GD110V | 515 | Green | Diffused | 110V | 125 | 45 |
| MPC8-1YD110V | 590 | Yellow | Diffused | 110V | 20 | 45 |
| MPC8-1BWD110V | 470 | Blue | Diffused | 110V | 40 | 45 |
| MPC8-1WD110V | x=0.36, y=0.32 | White | Diffused | 110V | 165 | 45 |
| MPC8-1RD220V | 625 | Red | Diffused | 220V | 10 | 45 |
| MPC8-1GD220V | 515 | Green | Diffused | 220V | 60 | 45 |
| MPC8-1YD220V | 590 | Yellow | Diffused | 220V | 10 | 45 |
| MPC8-1BWD220V | 470 | Blue | Diffused | 220V | 20 | 45 |
| MPC8-1WD220V | x=0.36, y=0.32 | White | Diffused | 220V | 80 | 45 |

ABSOLUTE MAXIMUM RATINGS (Ta = 25°C)

POWER INPUT _____ 0.5W MAX
 OPERATING TEMPERATURE RANGE _____ -40°C ~ 80°C
 STORAGE TEMPERATURE _____ -40°C ~ 80°C
 TERMINAL SOLDERING TEMPERATURE _____ 260°C, 5s

| | | | | |
|---------------------------------------------------------------------------------------------|--------------------------|--------------------------------------------------------------------------------------------------------------------------------------------------------------------|--|------------------------------------------------------------------|
| STANDARD TOLERANCE (UNLESS OTHERWISE SPECIFIED) DECIMALS ANGULAR | |  4 THOMAS, IRVINE, CA. 92618 TEL: (949) 951-8808 FAX: (949) 951-3974 | | |
|  | | | | TITLE: MPC8-1 SERIES, IP54 RATED PANEL MOUNT INDICATOR |
| DESIGNED: M. Doan | DATE: 08/18/14 | PART NO: MPC8-1XDXXV | | REVISION: B |
| CHECKED: B. Oliver | DATE: 08/18/14 | CAGE CODE : 32559 | | SHEET # 2 OF 2 |
| CAD GENERATED DOCUMENT. DO NOT MEASURE DRAWING. | | | | |