

Circular Connectors C 16-3 Female cable connector size 1; straight, No. of contacts 12 + 3 + PE, 100 V, 16 A

Part No. C016 10D015 003 1



Series Circular Connectors C 16-3

View represents all available contact positions.

Subseries Circular Connector C 16-3

| COMMON CHARACTERISTICS | | |
|--------------------------------|--|-----------------------------|
| No. of contacts | | 12 + 3 + PE |
| Version | | size 1; straight |
| Cable diameter | | 10-12 |
| ELECTRICAL CHARACTERISTICS | | |
| Rated voltage | DIN EN 60664-1 / IEC 60664-1 | 4 x 320 V 12 x 24 V |
| Rated voltage | UL 1977 | 4V |
| Rated impulse voltage | DIN EN 60664-1 / IEC 60664-1 | 4 x 4000 V 12 x 800 V |
| Rated current at 40°C | | 16 A |
| Installation category | DIN EN 60664-1 / IEC 60664-1 | III |
| Insulation group | DIN EN 60664-1 / IEC 60664-1 | II |
| Insulation resistance | DIN EN 60512-2, Test 3a / IEC 60512-2, Test 3a | ≥ 10 ⁸ |
| Contact resistance | DIN EN 60512-2, Test 2a / IEC 60512-2 Test 2a | ≤ 5 m |
| Current carrying capacity | DIN EN 60512-3, Test 5b / IEC 60512-2 Test 5b | 4 x 12 A 12 x 6 A |
| Pollution degree | DIN EN 60664-1 / IEC 60664-1 | 3 |
| CLIMATICAL CHARACTERISTICS | | |
| Climatic category | DIN EN 60068-1 / IEC 60068-1 | 40 / 125 / 56 |
| Operating temperature | | -40°C ... +125°C |
| MECHANICAL CHARACTERISTICS | | |
| IP degree of protection | DIN EN 60529 / IEC 60529 | IP 65 |
| Insertion and withdrawal force | DIN EN 60512-13-2, Test 13b / IEC 60512-13-2, Test 13b | ≤ 25 N |
| Mechanical lifetime | DIN EN 60512-9-1, Test 9a | ≥ 500 Steckzyklen |
| Strain relief | | Clamping ring |
| MATERIALS | | |
| Contact plating | | silver plated / gold plated |
| Housing | | Polyamid 6.6 |
| Gasket | | Neoprene |
| Dielectric material | | Polyamid 6.6 |
| FURTHER CHARACTERISTICS | | |
| Termination | | crimp |
| Wire gauge | | 0,09 - 2,5 mm ² |
| Wire gauge (AWG) | | 28 - 14 |
| Flammability | UL 94 | V-0 |
| Locking | | Bayonet |



3964



E63093



48932

Circular Connectors C 16-3 Female cable connector size 1; straight, No. of contacts 12 + 3 + PE, 100 V, 16 A

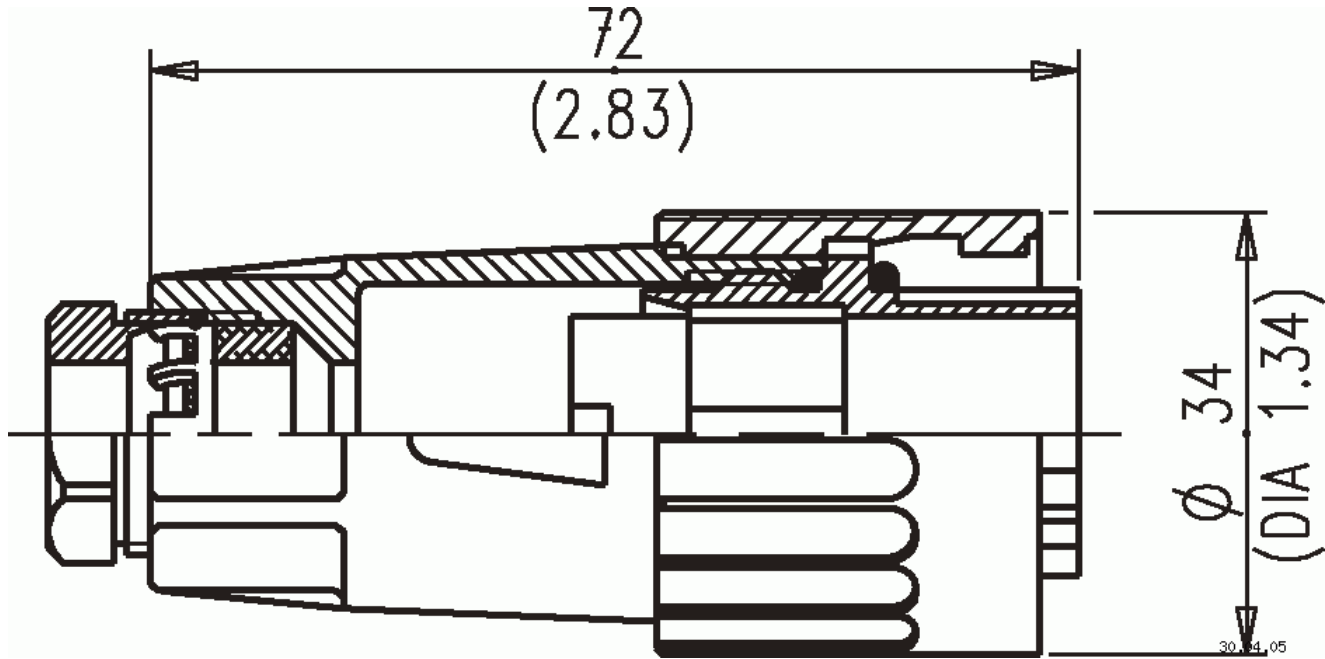
Part No. C016 10D015 003 1

Series Circular Connectors C 16-3

Subseries Circular Connector C 16-3



View represents all available contact positions.



Drawing Dimensions in mm (Inch)

Circular Connectors C 16-3 Female cable connector size 1; straight, No. of contacts 12 + 3 + PE, 100 V, 16 A

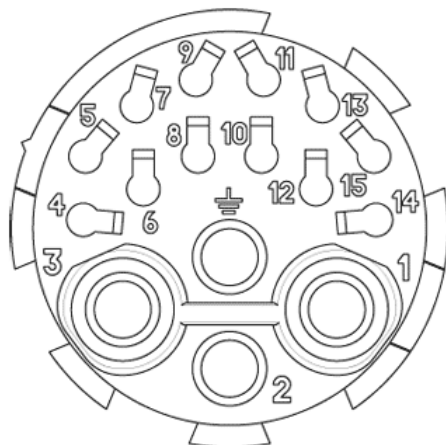
Part No. C016 10D015 003 1

Series Circular Connectors C 16-3

Subseries Circular Connector C 16-3



View represents all available contact positions.



Contact arrangement