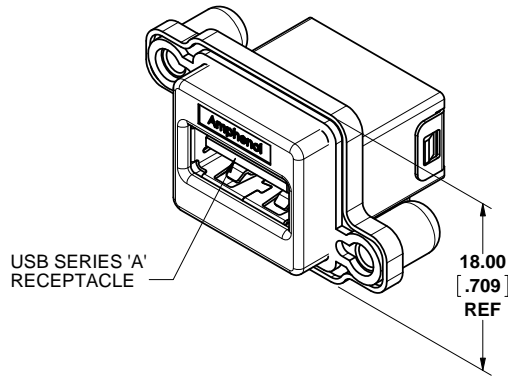


STANDARD PROFILE SHELL

LOW PROFILE SHELL

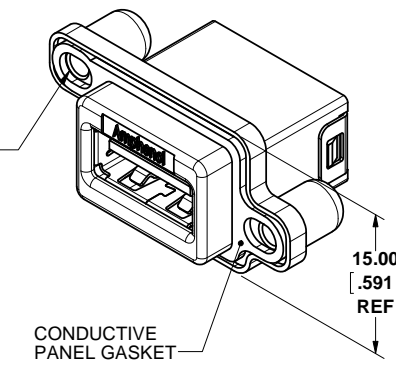


REVISIONS			
REV	DESCRIPTION, ECN, EAR NO.	DATE	APP'D
B	PRODUCT DRAWING (EAR 13922)	OCT6/11	K.L.
C	PRODUCT DRAWING (EAR 14115)	AUG24/12	K.L.



USB SERIES 'A' RECEPTACLE

18.00
[.709]
REF



THREADED MOUNTING HOLES

CONDUCTIVE PANEL GASKET

15.00
[.591]
REF

ORDERING CODE: MUSBR - A111 - X X

SERIES, RUGGED USB

USB SERIES 'A' RECEPTACLE, SINGLE PORT, RIGHT ANGLE PCB TAIL

SHELL & THREAD OPTION

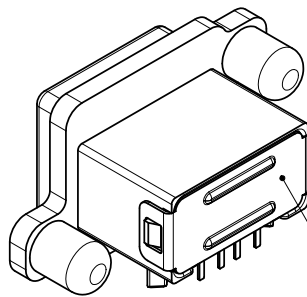
- 3 = STD. PROFILE, #4-40 UNC THREAD
- 4 = LOW PROFILE, #4-40 UNC THREAD
- M = STD. PROFILE, M3 X 0.5 THREAD
- R = LOW PROFILE, M3 X 0.5 THREAD

DUST COVER OPTION

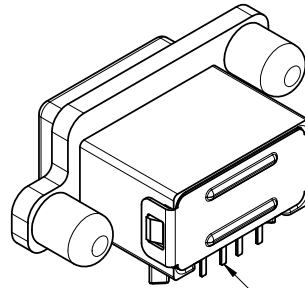
- 0 = NO DUST COVER SUPPLIED
- 1 = WITH GREY DUST COVER SUPPLIED
- 5 = WITH BLACK DUST COVER SUPPLIED

SPECIAL CONNECTORS

MANY UNIQUE FEATURES ARE READILY AVAILABLE TO SUIT CUSTOMER REQUIREMENTS. CONSULT WITH AMPHENOL CANADA FOR DETAILS.



METAL BACK COVER FOR EMI SHIELDING



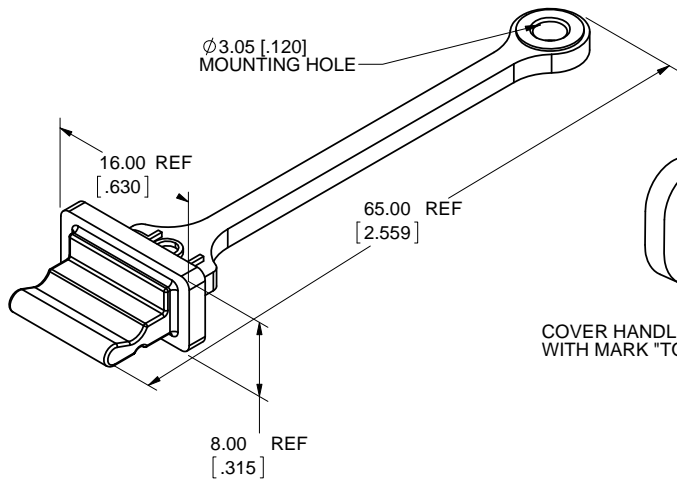
RIGHT ANGLE PCB TAILS

NOTES:

1. MATERIAL:
 - ALL MATERIALS ARE RoHS COMPLIANT PER EU DIRECTIVE 2002/95/EC AND AMENDMENTS
 - OUTER SHELL - DIECAST ZINC ALLOY, NICKEL PLATED
 - CONTACTS - PHOSPHOR BRONZE, PLATED WITH 0.76 µm (30 µ") GOLD OVER 1.27 µm (50 µ") NICKEL ON THE MATING AREA WITH MATTE TIN PLATING ON THE TAILS.
 - USB HOUSING - ENGINEERING THERMOPLASTIC, HIGH TEMPERATURE RESISTANT, FLAMMABILITY RATING UL94V-0, BLACK.
 - USB SHIELD & BACK COVER - STAINLESS STEEL, PASSIVATED
 - PANEL GASKET - CONDUCTIVE SILICONE RUBBER, BLACK
 - DUST COVER - SILICONE RUBBER WITH NICKEL PLATED BRASS BUSHING. SEE ORDERING CODE FOR DUST COVER COLOUR OPTIONS.
2. ENVIRONMENTAL PERFORMANCE PER IEC 60529 CODE IP67 FOR SEAL BETWEEN MATING AREA AND PCB SIDE OF CONNECTOR. GASKET PROVIDES SEAL TO INSIDE FACE OF ENCLOSURE PANEL. AVAILABLE DUST COVER PROVIDES ADDED PROTECTION.
3. CURRENT RATING: 1.5 AMPERES
4. CONTACT RESISTANCE: 30 MILLIOHMS MAXIMUM.
5. OPERATING TEMPERATURE: -40°C TO +105°C.
6. DUST COVERS MAY BE ORDERED SEPARATELY. SPECIFY
 - PART NUMBER MUSB-2A111-014BP FOR THE GREY COVER OR
 - PART NUMBER MUSB-2A111-024BP FOR THE BLACK COVER.

DUST COVER OPTION
SEE ORDERING CODE

DUST COVER APPLICATION VIEW

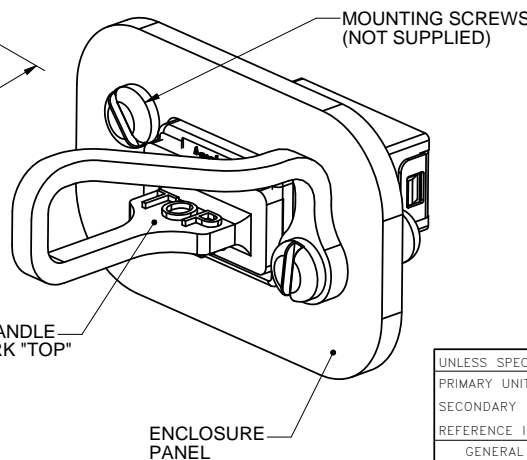


Ø3.05 [.120]
MOUNTING HOLE

16.00 REF
[.630]

65.00 REF
[2.559]

8.00 REF
[.315]



MOUNTING SCREWS (NOT SUPPLIED)

COVER HANDLE WITH MARK "TOP"

ENCLOSURE PANEL

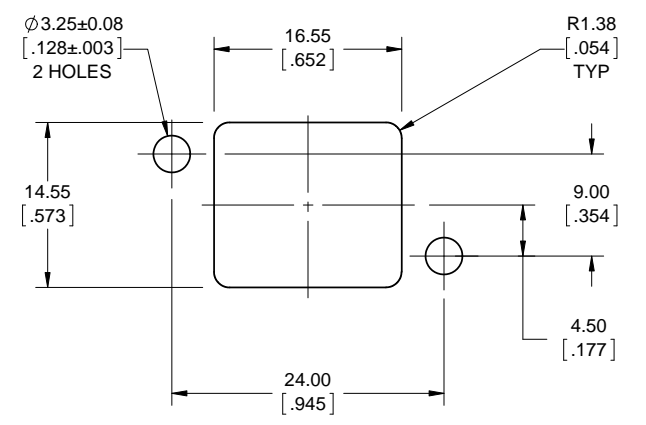
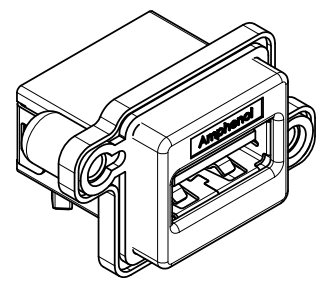
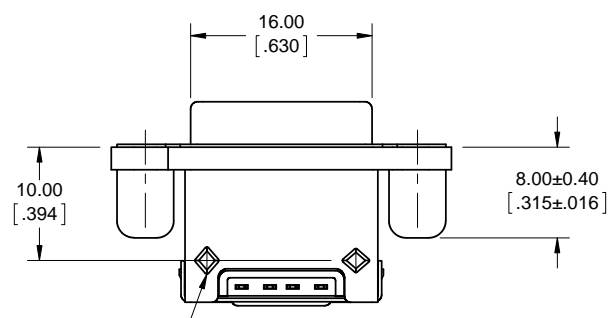
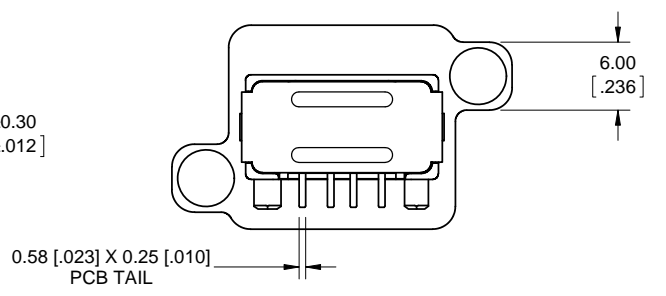
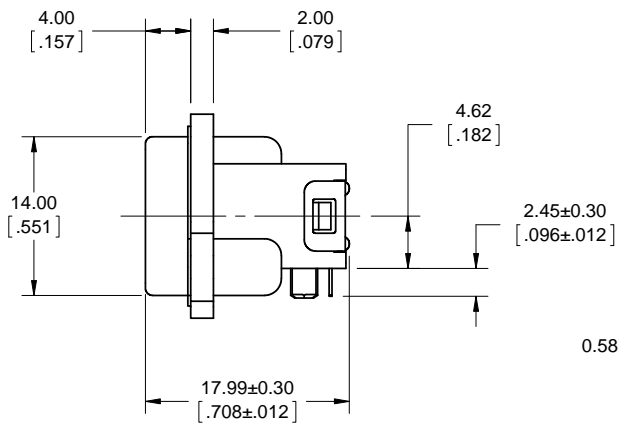
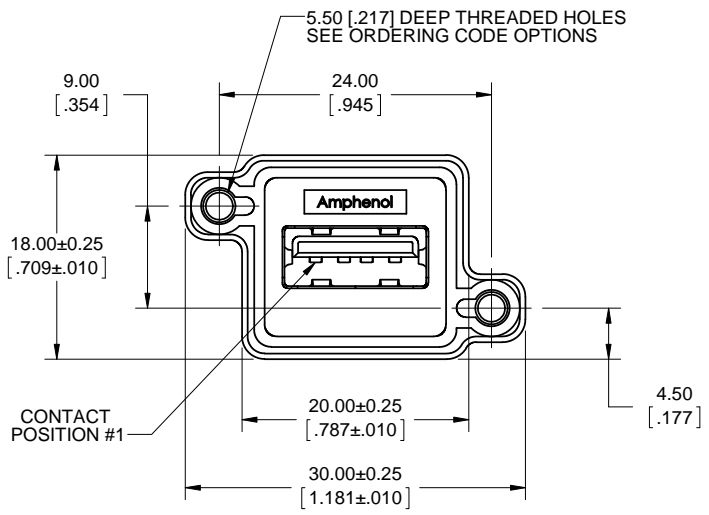
UNLESS SPECIFIED OTHERWISE	DRAWN	T.KEARSE	OCT6/11
PRIMARY UNITS MILLIMETERS	CHECKED		
SECONDARY INCHES	M.E. APP'D		
REFERENCE IN PARENTHESES	Q.A. APP'D		
GENERAL TOLERANCES	DWG APPR.	K.LAMBIE	OCT6/11
1 DECIMAL PLACE	ENG. REL. NO.		
2 DECIMAL PLACES ±0.15	REF.	EAR 13922	
3 DECIMAL PLACES	THIRD ANGLE PROJECTION		
ANGULAR DEGREES	DO NOT SCALE DRAWING		

Amphenol Canada Corp.
www.amphenolcanada.com

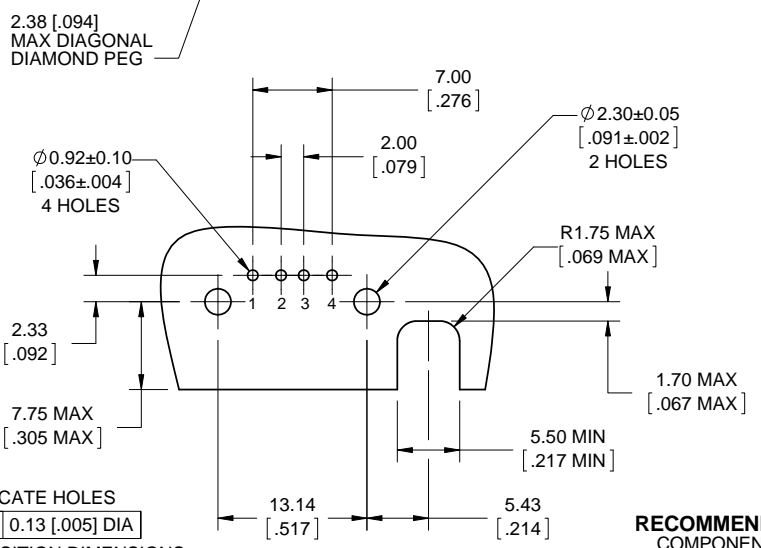
MUSBR SERIES RUGGED USB CONNECTOR, SERIES 'A' RECEPTACLE, SINGLE PORT, RIGHT ANGLE PCB TAIL, THREAD, SHELL & DUST COVER OPTIONS, RoHS COMPLIANT

DWG. NO.	REV
P-MUSBR-A111-XX	C
CODE ID NO. 03554	DWG. SIZE: C
SCALE: 3:1	SHEET 1 OF 3

REVISIONS			
REV	DESCRIPTION, ECN, EAR NO.	DATE	APP'D
B	PRODUCT DRAWING (EAR 13922)	OCT6/11	K.L.
C	PRODUCT DRAWING (EAR 14115)	AUG24/12	K.L.



RECOMMENDED PANEL CUTOUT
OUTSIDE VIEW OF PANEL



RECOMMENDED PCB LAYOUT
COMPONENT SIDE OF BOARD

LOCATE HOLES
 0.13 [.005] DIA
 POSITION DIMENSIONS ARE BASIC

STANDARD PROFILE
SHELL SHOWN

AMPHENOL CANADA PART NUMBERS: MUSBR-A111-3X
MUSBR-A111-MX



UNLESS SPECIFIED OTHERWISE	DRAWN	T.KEARSE	OCT6/11
PRIMARY UNITS MILLIMETERS	CHECKED		
SECONDARY INCHES	M.E. APP'D		
REFERENCE IN PARENTHESES	Q.A. APP'D		
GENERAL TOLERANCES	DWG APPR.	K.LAMBIE	OCT6/11
1 DECIMAL PLACE	ENG. REL. NO.		
2 DECIMAL PLACES ±0.15	REF.	EAR 13922	
3 DECIMAL PLACES	THIRD ANGLE PROJECTION		DO NOT SCALE DRAWING
ANGULAR DEGREES			

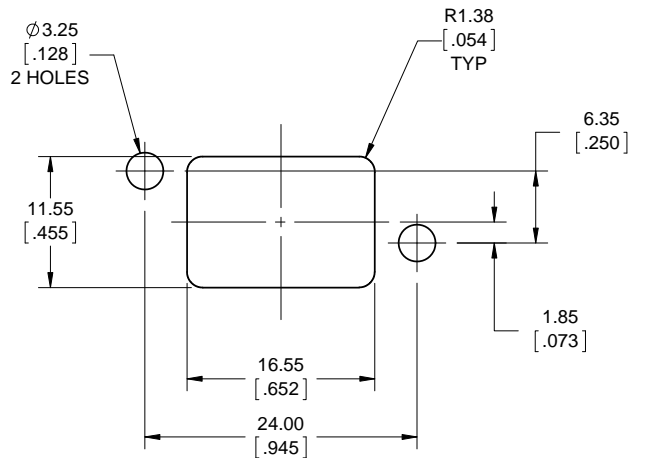
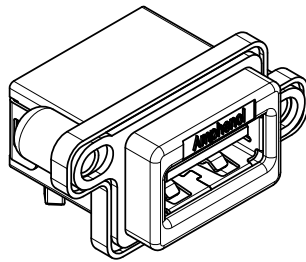
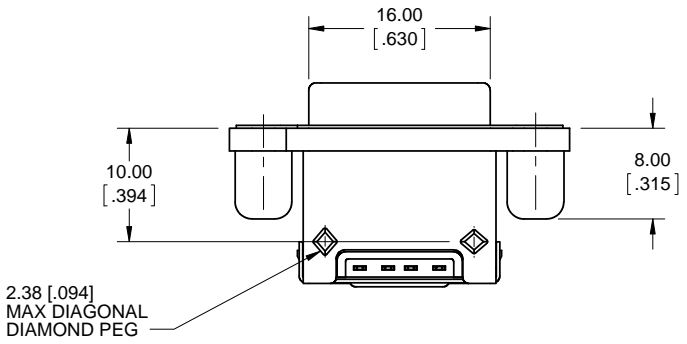
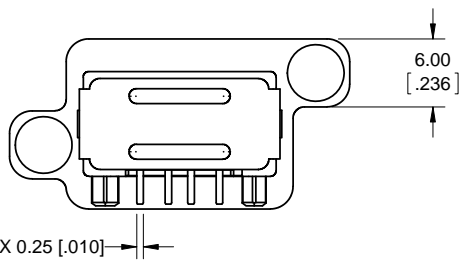
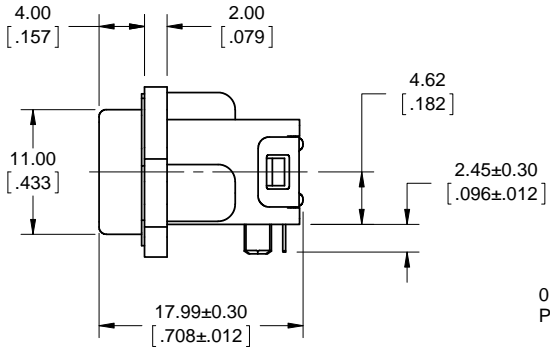
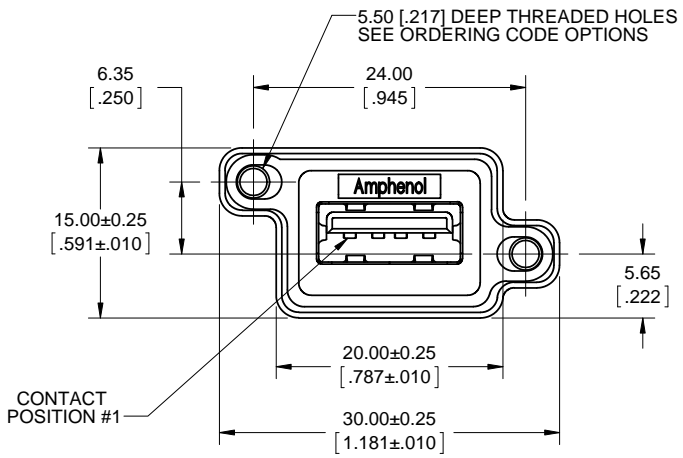
Amphenol Canada Corp.
www.amphenolcanada.com

MUSBR SERIES RUGGED USB CONNECTOR, SERIES 'A' RECEPTACLE, SINGLE PORT, RIGHT ANGLE PCB TAIL, THREAD, SHELL & DUST COVER OPTIONS, RoHS COMPLIANT

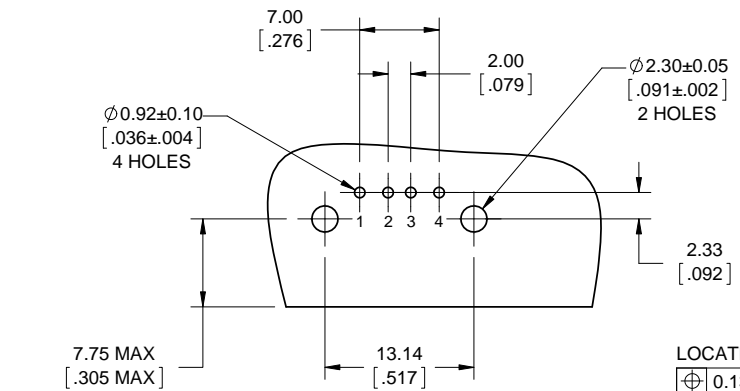
DWG. NO. **P-MUSBR-A111-XX** REV **C**

CODE ID NO. 03554 | DWG SIZE: C | SCALE: 3:1 | SHEET 2 OF 3

REVISIONS			
REV	DESCRIPTION, ECN, EAR NO.	DATE	APP'D
B	PRODUCT DRAWING (EAR 13922)	OCT6/11	K.L.
C	PRODUCT DRAWING (EAR 14115)	AUG24/12	K.L.



RECOMMENDED PANEL CUTOUT
OUTSIDE VIEW OF PANEL



RECOMMENDED PCB LAYOUT
COMPONENT SIDE OF BOARD

LOCATE HOLES
 0.13 [.005] DIA
 POSITION DIMENSIONS ARE BASIC



LOW PROFILE SHELL SHOWN

**AMPHENOL CANADA PART NUMBERS: MUSBR-A111-4X
MUSBR-A111-RX**

UNLESS SPECIFIED OTHERWISE	DRAWN T.KEARSE	OCT6/11
PRIMARY UNITS MILLIMETERS	CHECKED	
SECONDARY INCHES	M.E. APP'D	
REFERENCE IN PARENTHESES	Q.A. APP'D	
GENERAL TOLERANCES	DWG APPR. K.LAMBIE	OCT6/11
1 DECIMAL PLACE	ENG. REL. NO.	
2 DECIMAL PLACES ±0.15	REF. EAR 13922	
3 DECIMAL PLACES	THIRD ANGLE PROJECTION	
ANGULAR DEGREES	DO NOT SCALE DRAWING	

Amphenol Canada Corp.
www.amphenolcanada.com
 MUSBR SERIES RUGGED USB CONNECTOR,
 SERIES 'A' RECEPTACLE, SINGLE PORT,
 RIGHT ANGLE PCB TAIL, THREAD, SHELL &
 DUST COVER OPTIONS, RoHS COMPLIANT

DWG. NO. **P-MUSBR-A111-XX** REV **C**

CODE ID NO. 03554 DWG SIZE: C SCALE: 3:1 SHEET 3 OF 3