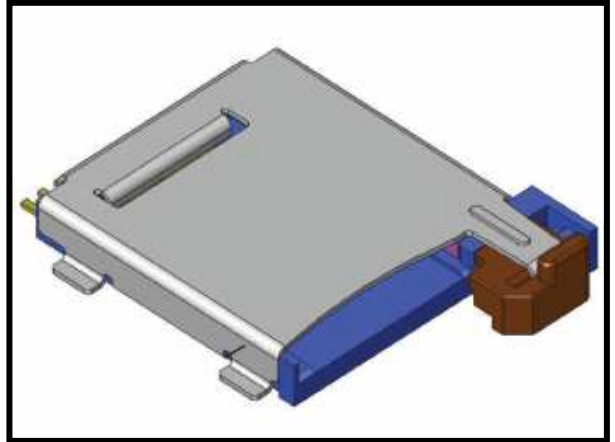


PJS008-4100-0-VE

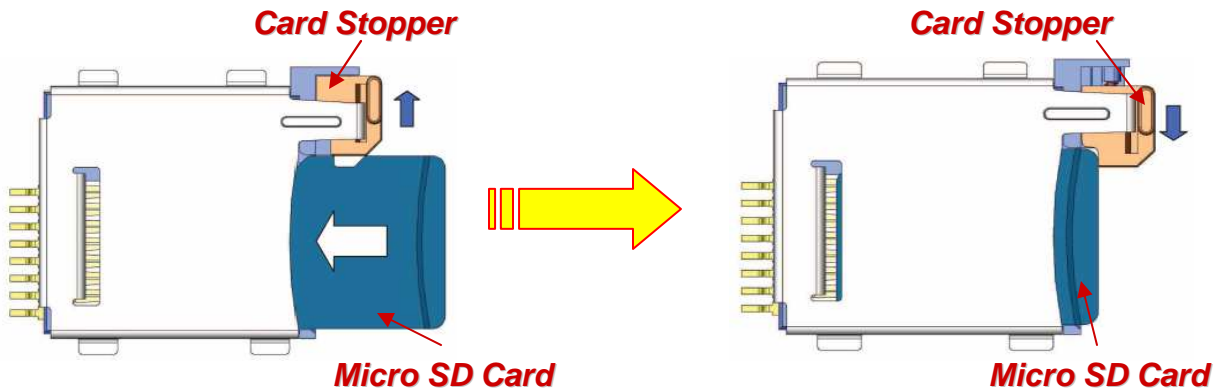
Automotive Grade Micro SD Card Connector

Product Features:

- **Push-Lock Feature** for 100% Card Position Security
- **Automotive Environment grade** performance
- **One-Action** insertion process
- **Mis-insertion** prevention design



PJS008-4100-0-VE One-Action Insertion Process



During insertion process, micro SD card pushes aside the self-retractable card stopper. Once micro SD card is fully inserted, the card stopper will return to original position by internal spring action and lock the micro SD card into position for secured connection.

Ideal memory card product for:

- **Compact Embedded System Module**
- **Automotive Infotainment System**

**Samples available
Soon!!**