

PART NAME: 5 STAR-KNOB SCALE: 1:1 DATE: 10/17/96 DR. BY HD

THIS DRAWING IS THE PROPERTY OF DAVIES MOLDING COMPANY, IS SUBMITTED SOLELY AS A DESIGN OR ENGINEERING PROJECT. WE ACCEPT NO RESPONSIBILITY WHATSOEVER FOR THE PRACTICAL APPLICATION OF THE PIECES MADE TO THIS DESIGN.

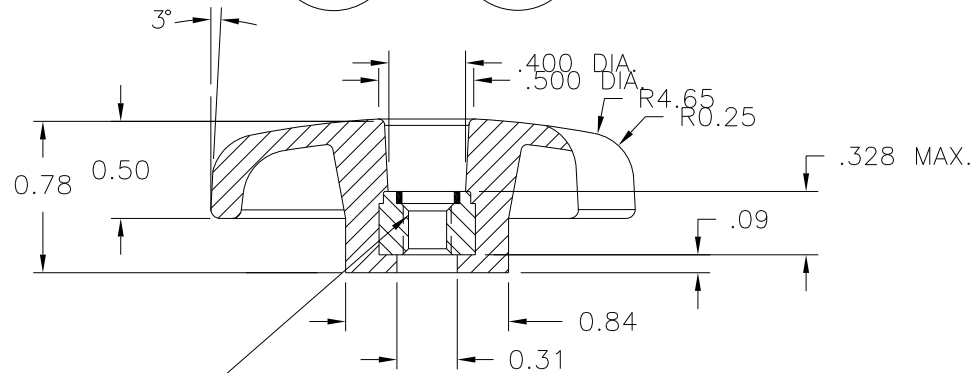
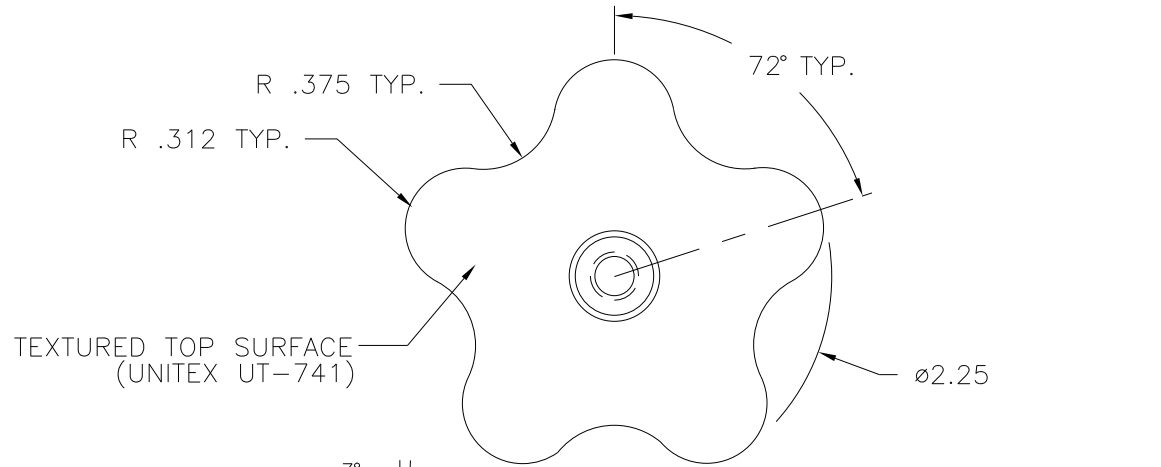


DESIGNERS & MANUFACTURERS OF KNOBS, HANDLES, CASES & CUSTOM PLASTIC COMPONENTS

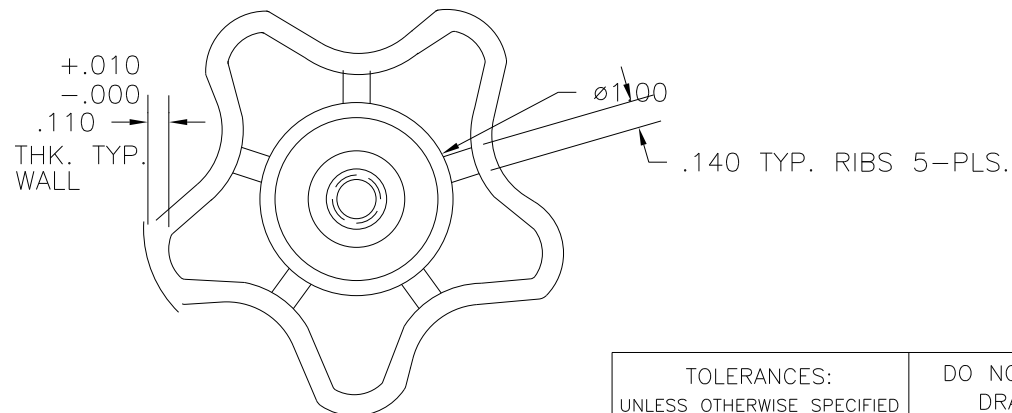
P/N 2980AK

M NO. # 9 FRAME

CAV.	2980
CORE	2980AD
TOP PIN	2980AK
SLEEVE	2980
PIN	2980AK
INSERT	I2025
BELLEVILLE WASHERS	.034 THK.(5)



1/4-20 (NYLOCK) THREAD.
INSERT NO. I2025
STEEL, ZINC PLTD.



Ⓐ MATERIAL: 20% TALC-FILLED POLYPROPYLENE (BC9) Ⓑ
COLOR: BLACK

TOLERANCES: UNLESS OTHERWISE SPECIFIED	DO NOT SCALE DRAWING	C	WAS 0.028	JAM	10/28/11
DECIMALS: X.XXX ± .005 X.XX ± .015	MM: X.XX ± 0.15MM X.X ± 0.4MM	B	ADDED MAT. CODE	DS	1/29/07
FRACTIONS ± 1/64	ANG. ± 1°	A	WAS POLYPROPYLENE	TL	5/4/99
CHANGES					