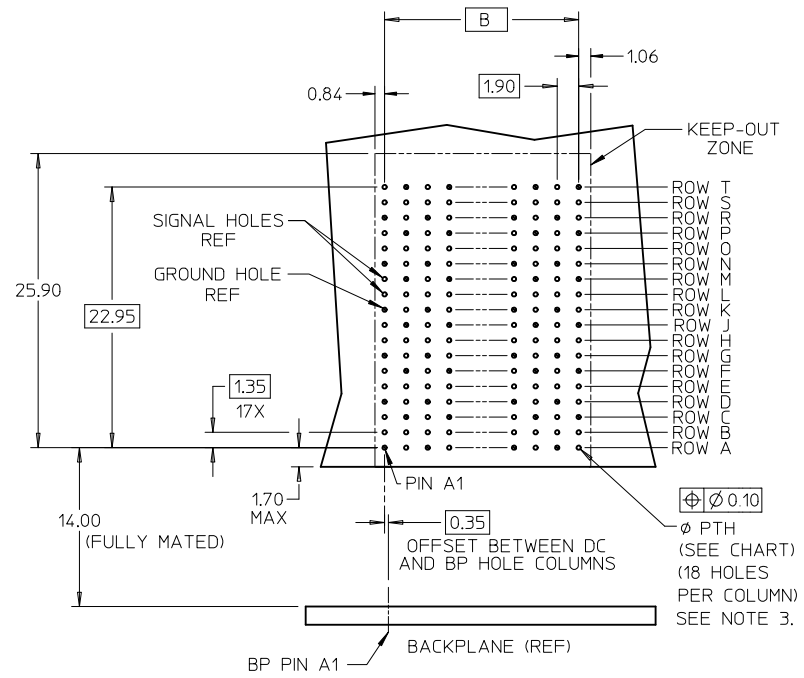
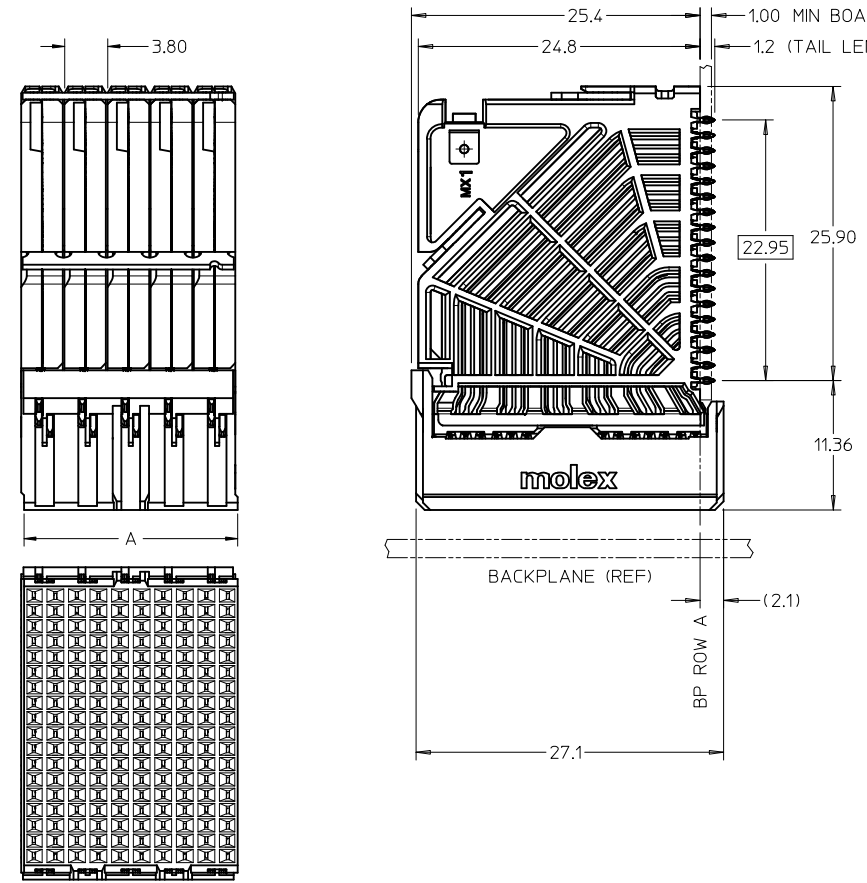
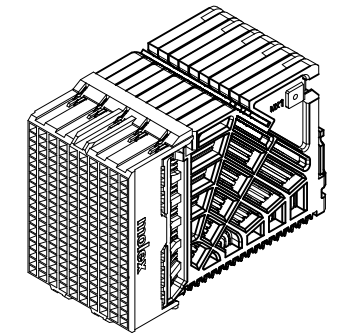


MATERIAL NUMBER	# OF COLUMNS	# OF DIFF PAIR	DIM "A" MAX	DIM "B"	PTH ϕ
76150-*010	10	60	19.00	17.10	0.46 +0.05
76150-*014	14	84	26.60	24.70	
76150-*016	16	96	30.40	28.50	
76150-*020	10	60	19.00	17.10	0.39 +0.05
76150-*024	14	84	26.60	24.70	
76150-*026	16	96	30.40	28.50	

76150-*0**

0 = OPEN TIN-LEAD
1 = OPEN LEAD-FREE

OF COLUMNS
10 = 10 COL 0.46 PTH
14 = 14 COL 0.46 PTH
16 = 16 COL 0.46 PTH
20 = 10 COL 0.39 PTH
24 = 14 COL 0.39 PTH
26 = 16 COL 0.39 PTH



DAUGHTERCARD HOLE PATTERN (CONNECTOR SIDE)

- NOTES:
1. MATERIALS: HOUSING - LIQUID CRYSTAL POLYMER (LCP), GLASS-FILLED, UL94V-0
TERMINALS - HIGH PERFORMANCE COPPER ALLOY
 2. FINISH: 30MN MIN GOLD IN CONTACT AREA, SELECTIVE TIN OR SELECTIVE TIN-LEAD ON PCB TAILS, NICKEL OVERALL.
 3. REFER TO MOLEX PRODUCT SPEC PS-76060-999 FOR PERFORMANCE SPECIFICATIONS AND ADDITIONAL PCB INFORMATION.
 4. EACH SIGNAL WAFER CONTAINS 2 COLUMNS OF TERMINALS.
 5. PRODUCT IS PACKAGED PER PK-70873-589.
 6. THIS PART CONFORMS TO CLASS B REQUIREMENTS OF COSMETIC SPEC PS-45499-002.
 7. REFER TO MOLEX SALES DRAWING SD-76145-001 FOR THE MATING HEADERS.
 8. REFER TO MOLEX PCB ROUTING GUIDE AS-76060-990 FOR ANTIPAD AND ROUTING RECOMMENDATIONS.

WAFER PEGS EC NO: UCP2011-2723 TIDRWINDVARVARA 2011/03/08 CHKD: JLAURX 2011/03/14 APPR: JLAURX	QUALITY SYMBOLS $\nabla=0$ $\nabla=0$ $\nabla=0$	GENERAL TOLERANCES (UNLESS SPECIFIED) <table border="1"> <thead> <tr> <th></th> <th>mm</th> <th>INCH</th> </tr> </thead> <tbody> <tr> <td>4 PLACES</td> <td>\pm ---</td> <td>\pm ---</td> </tr> <tr> <td>3 PLACES</td> <td>\pm ---</td> <td>\pm ---</td> </tr> <tr> <td>2 PLACES</td> <td>\pm 0.13</td> <td>\pm ---</td> </tr> <tr> <td>1 PLACE</td> <td>\pm 0.25</td> <td>\pm ---</td> </tr> </tbody> </table>		mm	INCH	4 PLACES	\pm ---	\pm ---	3 PLACES	\pm ---	\pm ---	2 PLACES	\pm 0.13	\pm ---	1 PLACE	\pm 0.25	\pm ---	DIMENSION STYLE MM ONLY DRAWN BY DATE JLAURX 2008/03/12 CHECKED BY DATE TELO 2008/03/12 APPROVED BY DATE JLAURX 2008/03/12	SCALE 3:1 DESIGN UNITS METRIC THIRD ANGLE PROJECTION	TITLE IMPACT DAUGHTERCARD 6 PAIR SIGNAL MODULE UNGUIDED SALES DRAWING MOLEX MOLEX INCORPORATED	MATERIAL NO. SEE CHART SIZE C	DOCUMENT NO. SD-76150-001 SHEET NO. 1 OF 1
		mm	INCH																			
	4 PLACES	\pm ---	\pm ---																			
3 PLACES	\pm ---	\pm ---																				
2 PLACES	\pm 0.13	\pm ---																				
1 PLACE	\pm 0.25	\pm ---																				
DRAFT WHERE APPLICABLE MUST REMAIN WITHIN DIMENSIONS																						
THIS DRAWING CONTAINS INFORMATION THAT IS PROPRIETARY TO MOLEX INCORPORATED AND SHOULD NOT BE USED WITHOUT WRITTEN PERMISSION																						