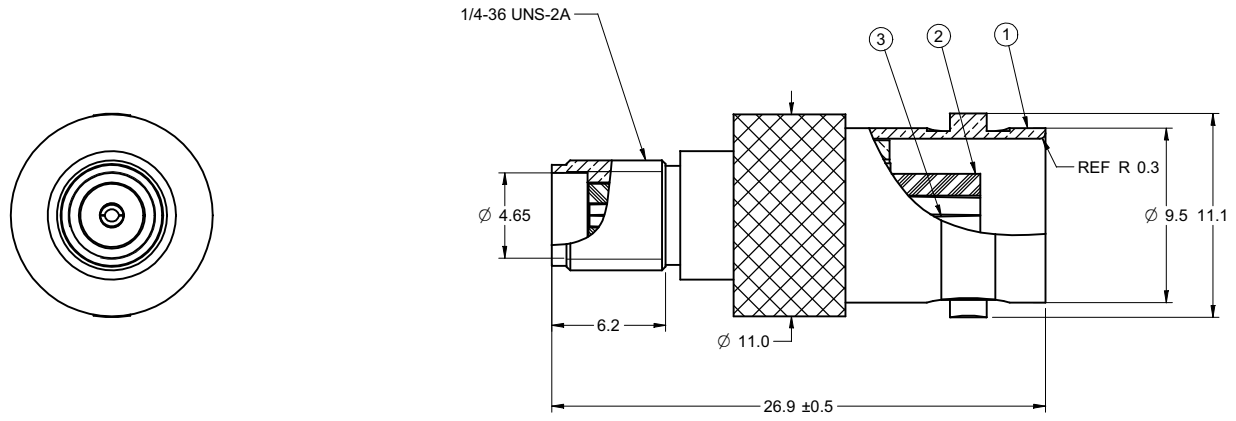
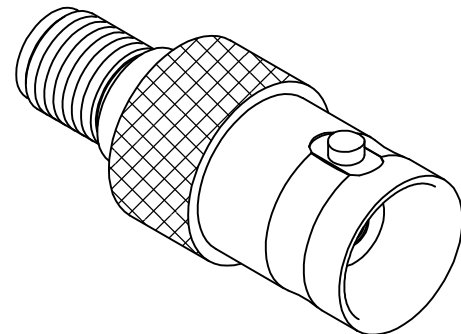


PART NUMBER	ITEM ① BODY	ITEM ② INSULATOR	ITEM ③ CONTACT
29-3835	BRASS NICKEL PLATED	DELTRIN	BERLLIUM GOLD PLATED

DRAWING NO. 29-3835	
REVISIONS	
01	OFFICIAL RELEASE
08-31-09	W U T Betty 2009-09-01 09:05:40 08:00:00



受控 CONTROLLED DOCUMENT					
编号 P/N	29-3835	版本 Rev	01	日期 Rel'd Date	SEP 14, 09



- NOTES:
1. BNC IMPEDANCE: 50 OHM NOMINAL
  2. PRODUCT SHOULD BE RoHS COMPLIANCE
  3. TECHNICAL DETAIL: REFER TO EMERSON DOCUMENT P/N 27-0000

THIS DRAWING TO BE INTERPRETED  
PER ANSI Y 14.5M - 1994

**COMPANY CONFIDENTIAL**

TOLERANCE UNLESS OTHERWISE SPECIFIED		DRAWN BY LINDA.WU	DATE 08-31-09
DECIMALS	mm	CHECKED BY BETTY.YU	DATE 08-31-09
X	± 0.5	APPROVED BY THOMAS	DATE 08-31-09
X.X	± 0.2	U/M	mm
X.XX	± 0.1		
ANGLES	± 0.5°		

<b>EMERSON</b> Network Power		<b>Connectivity Solutions</b>	
TITLE CPAD507 SMA(F)-BNC(F) ADAPTER			
SHEET 1 OF 1	DRAWING NO. 29-3835	SIZE C	

THIS DRAWING WAS PRODUCED BY COMPUTER,  
DO NOT SCALE DRAWING OR UPDATE MANUALLY.