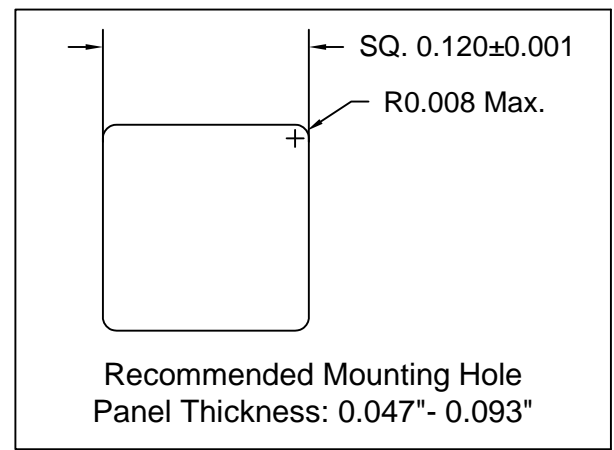
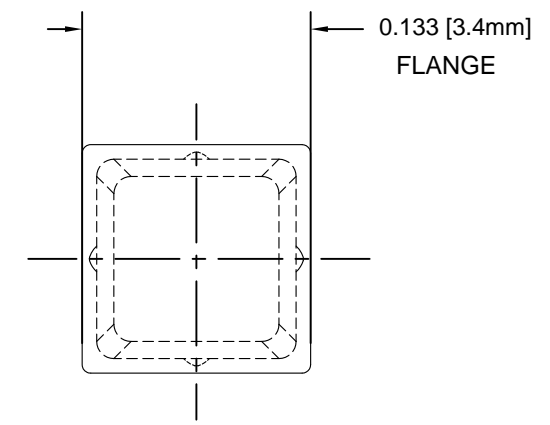
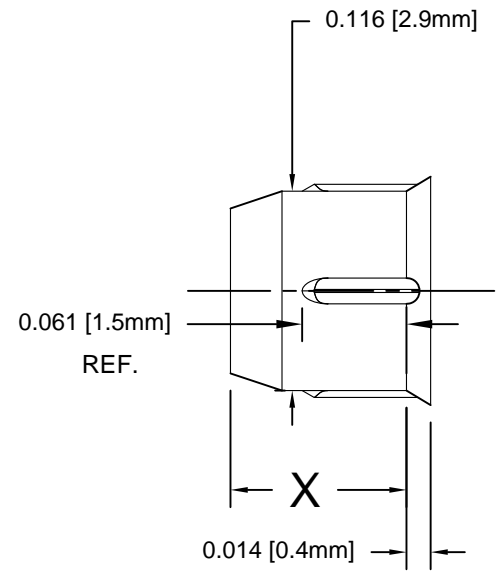
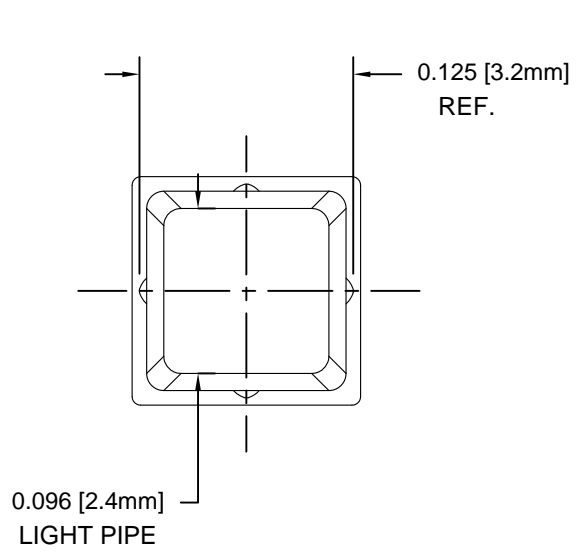
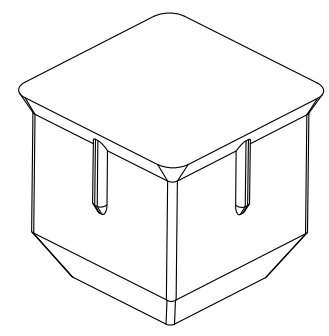


| REV. | DESCRIPTION | DATE | APPROVED |
|------|-------------------------------|----------|----------|
| A | Engineering Release | 07/31/15 | J. C. |
| B | Added Color Options, Sheet #2 | 01/25/16 | J. C. |
| | | | |
| | | | |



| Part No. | X = Body Length |
|---------------|------------------|
| PLPQ3-100-FF | 0.100 (2.5mm) |
| PLPQ3-125-FF | 0.125 (3.2mm) |
| PLPQ3-188-FF | 0.188 (4.8mm) |
| PLPQ3-250-FF | 0.250 (6.4mm) |
| PLPQ3-313-FF | 0.313 (7.9mm) |
| PLPQ3-375-FF | 0.375 (9.5mm) |
| PLPQ3-500-FF | 0.500 (12.7mm) |
| PLPQ3-3MM-FF | 3mm (0.118") |
| PLPQ3-4MM-FF | 4mm (0.157") |
| PLPQ3-5MM-FF | 5mm (0.197") |
| PLPQ3-6MM-FF | 6mm (0.236") |
| PLPQ3-7MM-FF | 7mm (0.276") |
| PLPQ3-8MM-FF | 8mm (0.315") |
| PLPQ3-9MM-FF | 9mm (0.354") |
| PLPQ3-10MM-FF | 10mm (0.394") |



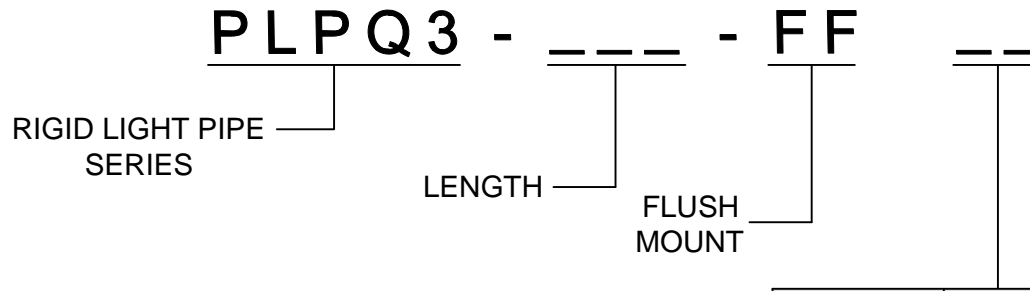
2. MATERIAL: POLYCARBONATE, 94V-0, CLEAR
1. GENERAL SPECIFICATIONS: BIVAR MOLDED COMPONENT SPECIFICATION BV00-E101 and BSMC-1001.

| | | | |
|---|----------------|--|-----------------------|
| STANDARD TOLERANCE (UNLESS OTHERWISE SPECIFIED) | | 4 THOMAS, IRVINE, CA. 92618 TEL: (949) 951-8808 FAX: (949) 951-3974 | |
| DECIMALS | ANGULAR | | |
| .X ± .1 | X° ± 1° | TITLE: SQUARE LIGHT PIPE, FLUSH MOUNT, 3mm | REVISION: B |
| .XX ± .01 | | | |
| .XXX ± .005 | | PART NO: PLPQ3-XXX-FF | SHEET # 1 OF 2 |
| DESIGNED: Brian Oliver | DATE: 04/24/15 | CAGE CODE : 32559 | |
| CHECKED: Alex Wright | DATE: 04/24/15 | SHEET # 1 OF 2 | |
| CAD GENERATED DOCUMENT. DO NOT MEASURE DRAWING. | | | |

OTHER AVAILABLE COLORS

* SEE TABLE FOR ORDERING INFORMATION


| REV. | DESCRIPTION | DATE | APPROVED |
|------|--------------|------|----------|
| | SEE SHEET #1 | | |
| | | | |
| | | | |
| | | | |



| COLOR | Order Code |
|--------|------------|
| BLUE | BE |
| BLACK | BK |
| GREEN | GN |
| GRAY | GY |
| RED | RD |
| YELLOW | YW |

NOTE: LEAVE ORDER CODE BLANK IF NO COLOR IS DESIRED.

3. PARTS ARE DYED TO COLOR UPON REQUEST.

| | | | | |
|---|--------------------------|--|------------------------------|---|
| STANDARD TOLERANCE (UNLESS OTHERWISE SPECIFIED) DECIMALS ANGULAR | |  4 THOMAS, IRVINE, CA. 92618 TEL: (949) 951-8808 FAX: (949) 951-3974 | | |
| | | | | TITLE: SQUARE LIGHT PIPE, FLUSH MOUNT, 3mm |
| DESIGNED: K. Aukshunas | DATE: 01/25/16 | PART NO: PLPQ3-XXX-FF | | REVISION: B |
| CHECKED: J. Chiang | DATE: 01/25/16 | CAGE CODE : 32559 | SHEET # 2 OF 2 | |
| CAD GENERATED DOCUMENT. DO NOT MEASURE DRAWING. | | | | |