

MCU Cards

for **LV18F v6™** development system

Manual

All Mikroelektronika's development systems feature a large number of peripheral modules expanding microcontroller's range of application and making the process of program testing easier. In addition to these modules, it is also possible to use numerous additional modules linked to the development system through the I/O port connectors. Some of these additional modules can operate as stand-alone devices without being connected to the microcontroller.

Additional Board

 **MikroElektronika**

SOFTWARE AND HARDWARE SOLUTIONS FOR EMBEDDED WORLD ...making it simple

MCU Cards for LV18F v6 Development System

The LV18F v6 development system is supported by empty 44-, 64-, 80- and 100-pin MCU cards. Schematics provided herein show these MCU cards with soldered microcontrollers. Instead of microcontrollers used in these examples, you can choose and solder another ones. Prior to soldering, check which microcontrollers can be placed on the respective MCU card just to be sure that they are compatible. MCU cards are also provided with pads that enables you to access microcontroller pins when the MCU card is not connected to the development system.

Supported microcontrollers:

64- and 80-pin MCU cards support the following microcontrollers: U1: PIC18F83J90, PIC18F84J90, PIC18F85J90, PIC18F83J11, PIC18F84J11, PIC18F85J11, PIC18F85J10, PIC18F85J15, PIC18F86J10, PIC18F86J15, PIC18F87J10, PIC18F86J11, PIC18F86J16, PIC18F87J11, PIC18F86J90, PIC18F87J90, PIC18F86J93, PIC18F87J93, PIC18F86J50, PIC18F86J55, PIC18F87J50 and PIC18F85J50; U2: PIC18F63J90, PIC18F64J90, PIC18F65J90, PIC18F63J11, PIC18F64J11, PIC18F65J11, PIC18F66J90, PIC18F67J90, PIC18F66J93, PIC18F67J93, PIC18F65J10, PIC18F65J15, PIC18F66J10, PIC18F66J15, PIC18F67J10, PIC18F66J11, PIC18F66J16, PIC18F67J11, PIC18F65J50, PIC18F66J55 and PIC18F67J50.

44-pin MCU cards support the following microcontrollers: U1: PIC18F43K20, PIC18F44K20, PIC18F45K20, PIC18F46K20, PIC18F46K22, PIC18F45K22, PIC18F44K22, PIC18F43K22, PIC18F46K22, PIC18F45K22, PIC18F44K22 and PIC18F43K22; U2: PIC18F44J11, PIC18F45J11, PIC18F46J11, PIC18F44J50, PIC18F45J50 and PIC18F46J50.

64- and 100-pin MCU cards support the following microcontrollers: U1: PIC18F96J60, PIC18F96J65 and PIC18F97J60; U2: PIC18F66J60, PIC18F66J65 and PIC18F67J60.

80-pin MCU cards support PIC18F87J10 and PIC18F87J50 microcontrollers.

80-pin ETH MCU cards support PIC18F86J60, PIC18F86J65 and PIC18F87J60 microcontrollers.

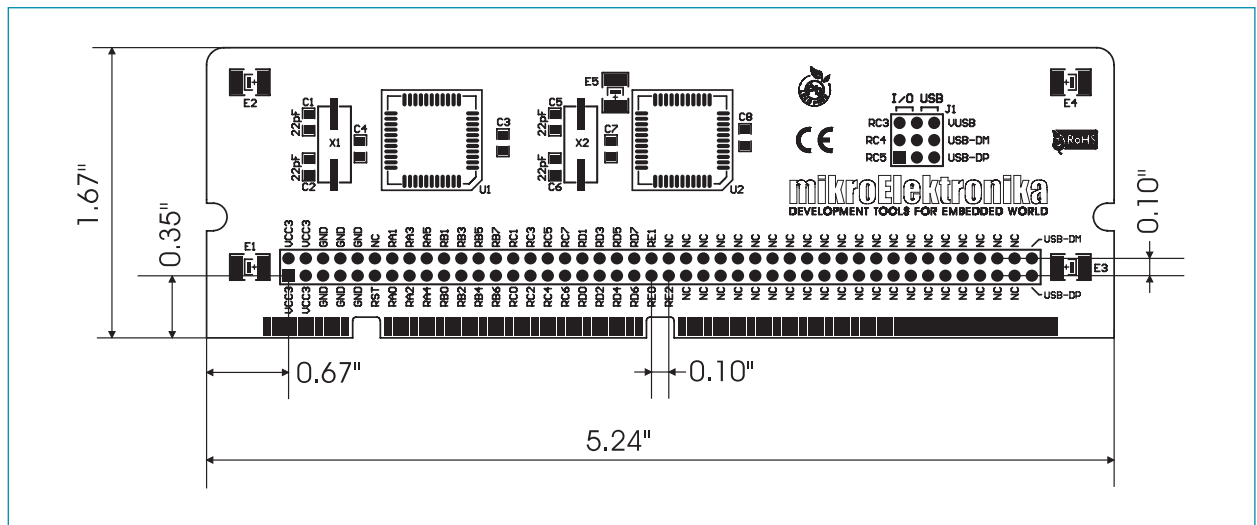


Figure 1: Dimensions of 44-, 64- and 80-pin MCU cards

NOTE: MCU cards that can feature two different microcontrollers may have only one of them soldered at the same time.

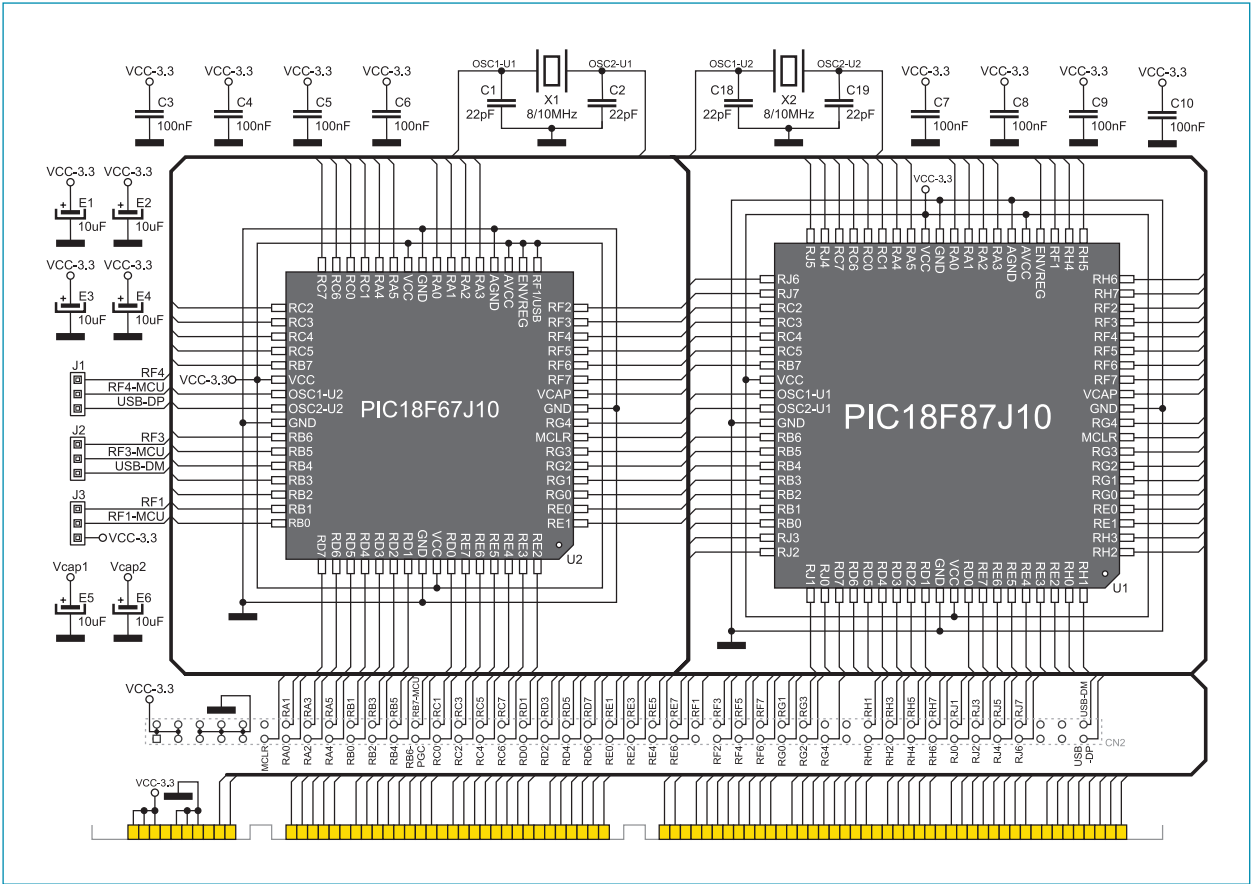


Figure 2: 64- and 80-pin MCU card and microcontroller connection schematic

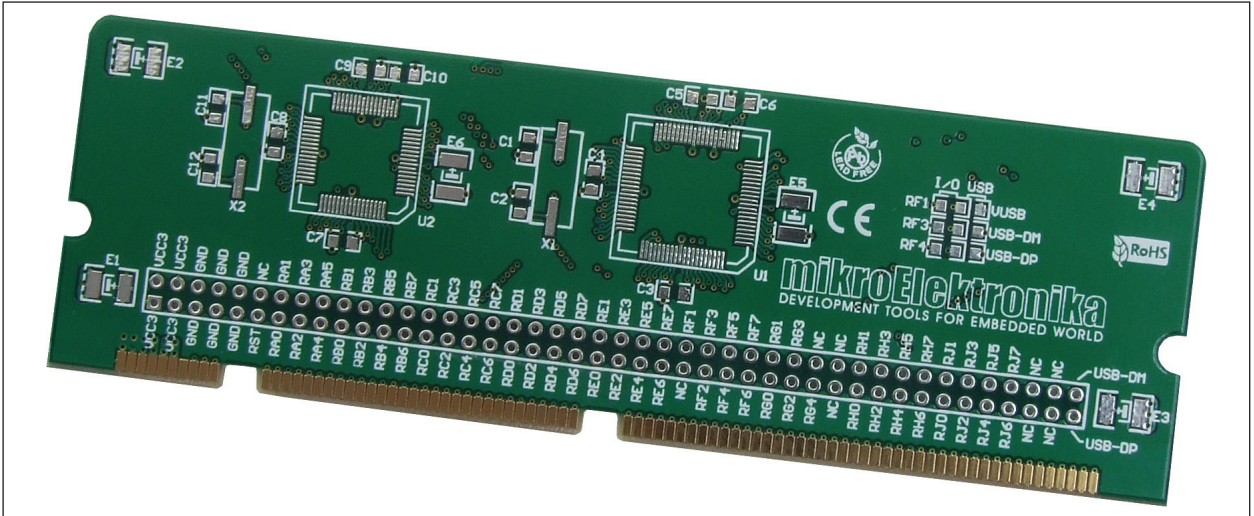


Figure 3: Empty 64- and 80-pin MCU card

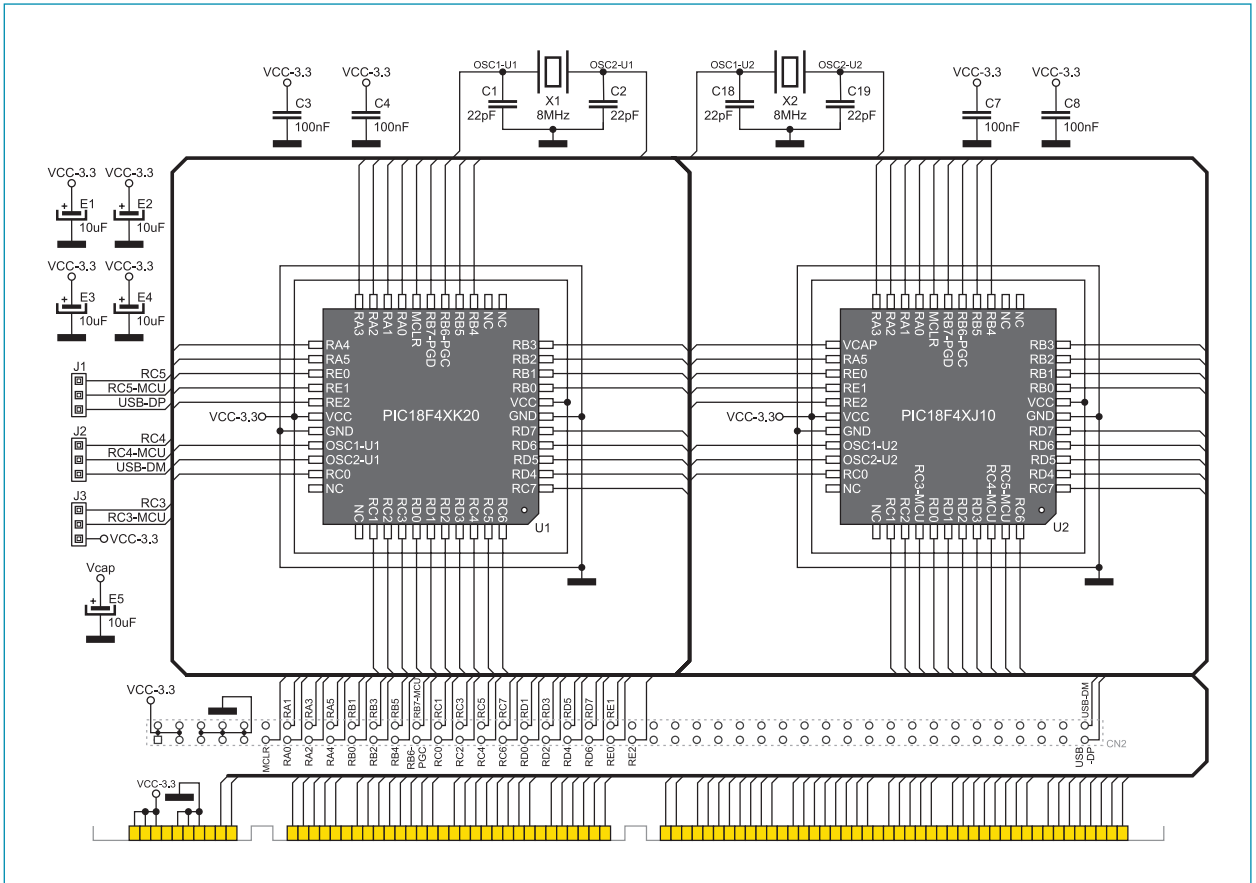


Figure 4: 44-pin MCU card and microcontroller connection schematic

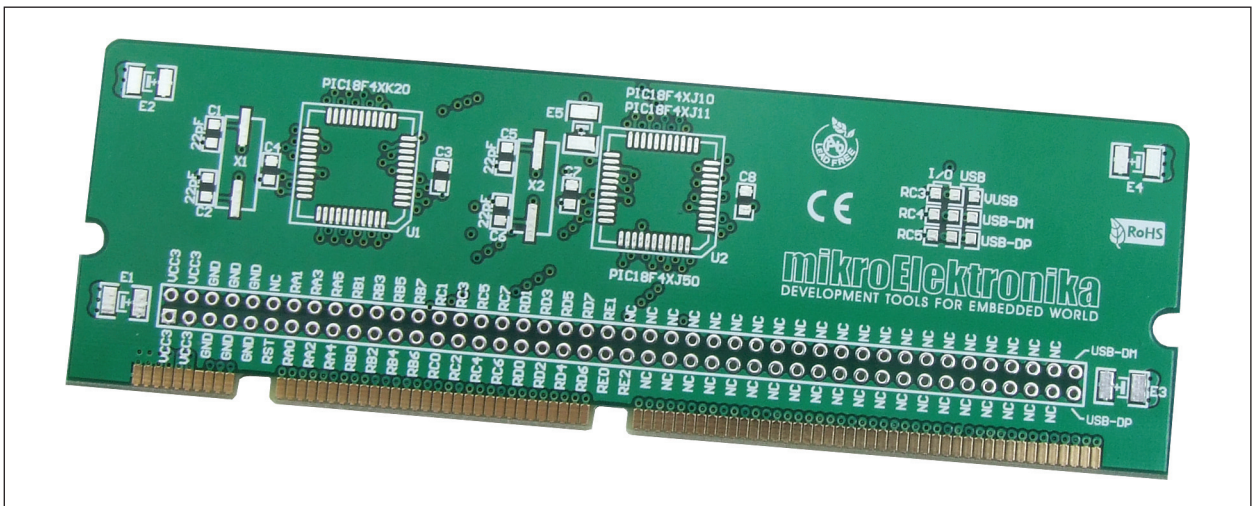


Figure 5: Empty 44-pin MCU card

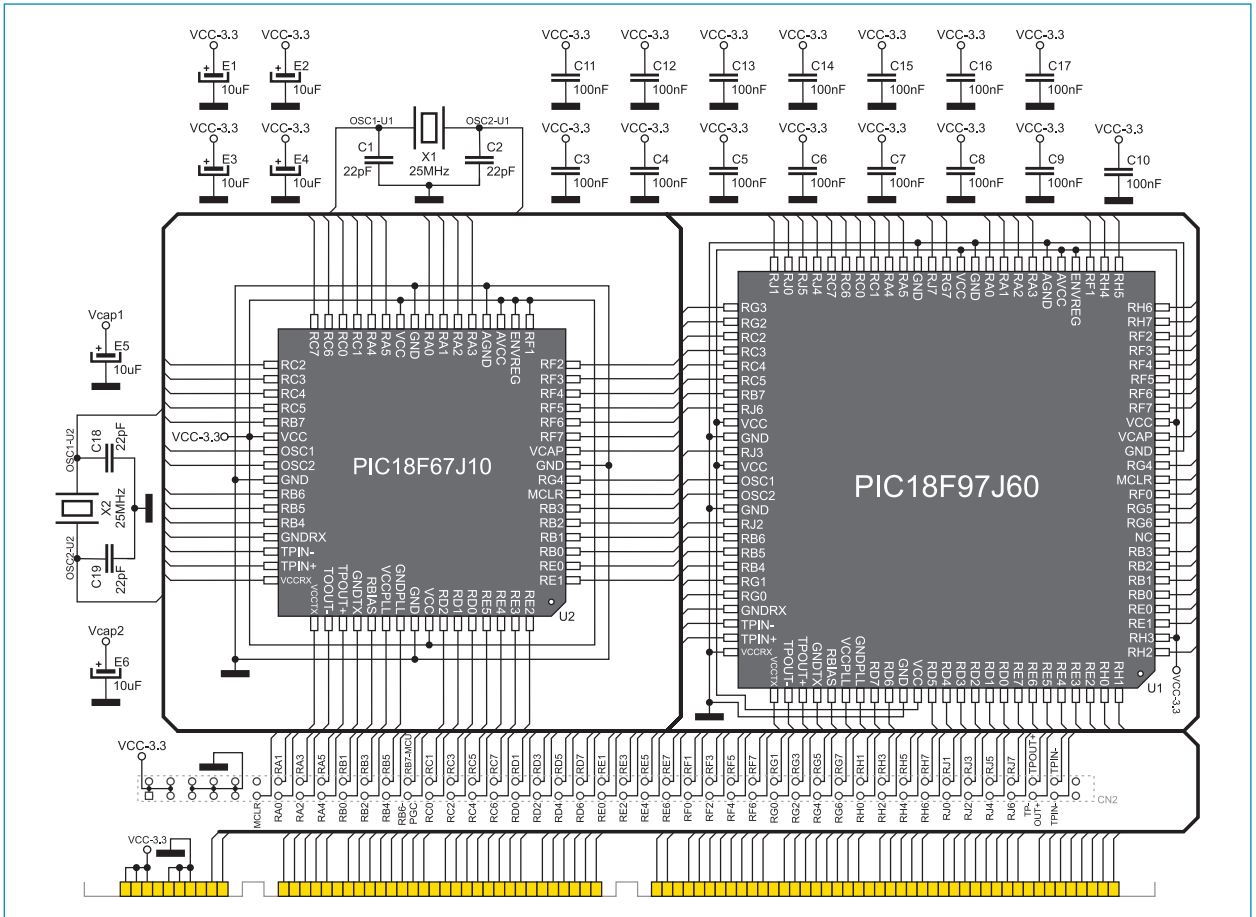


Figure 8: 64- and 100-pin MCU card and microcontroller connection schematic

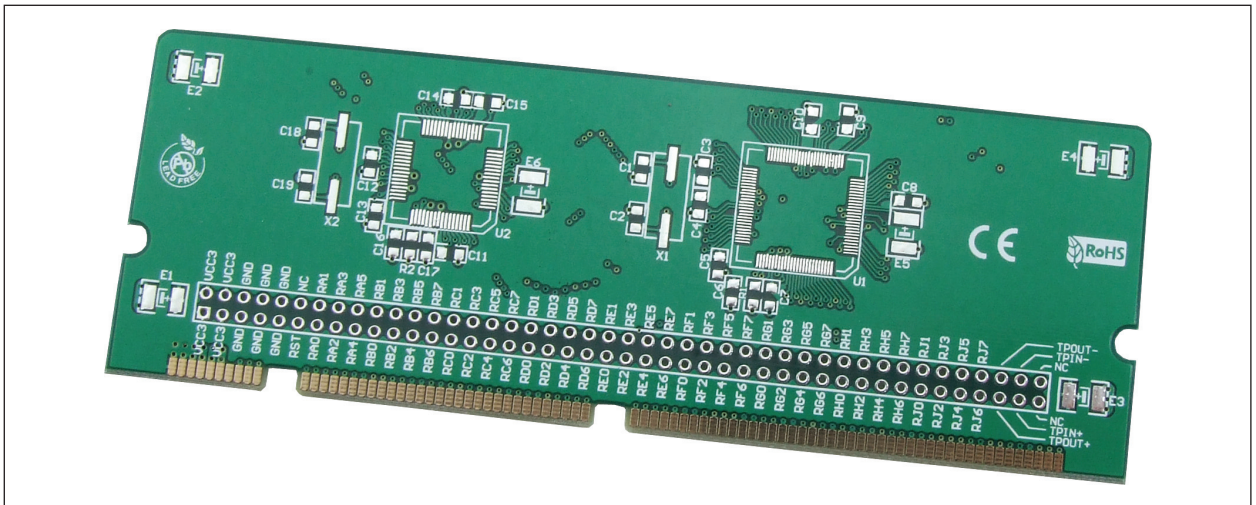


Figure 9: Empty 64- and 100-pin MCU card

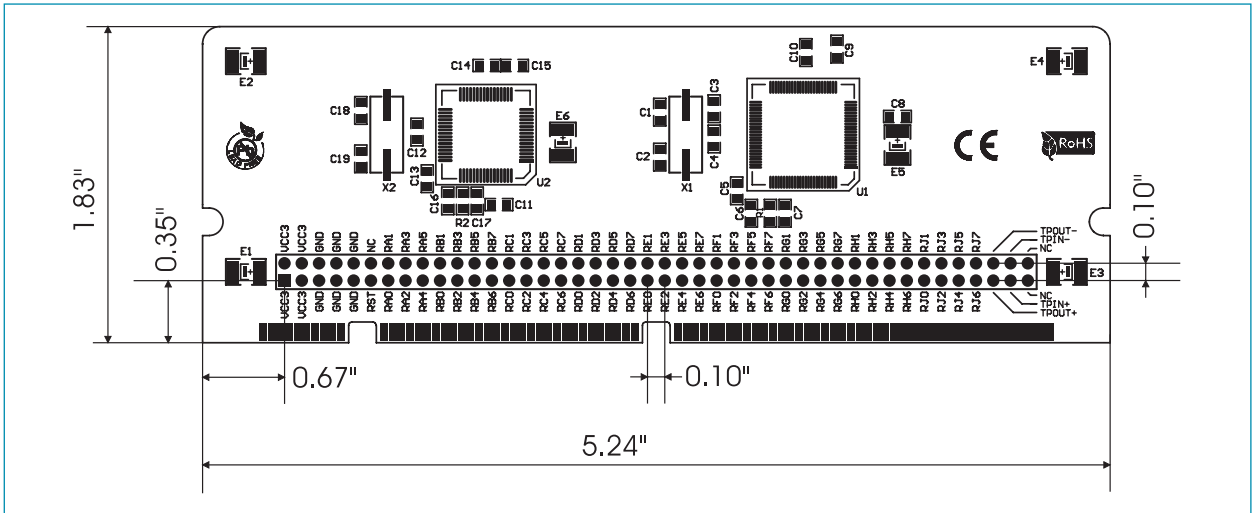


Figure 12: Dimensions of 64-, 100- and 80-pin ETHERNET MCU card



MikroElektronika
SOFTWARE AND HARDWARE SOLUTIONS FOR EMBEDDED WORLD ...making it simple

If you want to learn more about our products, please visit our website at www.mikroe.com

If you are experiencing some problems with any of our products or just need additional information, please place your ticket at www.mikroe.com/en/support

If you have any questions, comments or business proposals, do not hesitate to contact us at office@mikroe.com

Mouser Electronics

Authorized Distributor

Click to View Pricing, Inventory, Delivery & Lifecycle Information:

[Mikroe:](#)

[MIKROE-454](#)