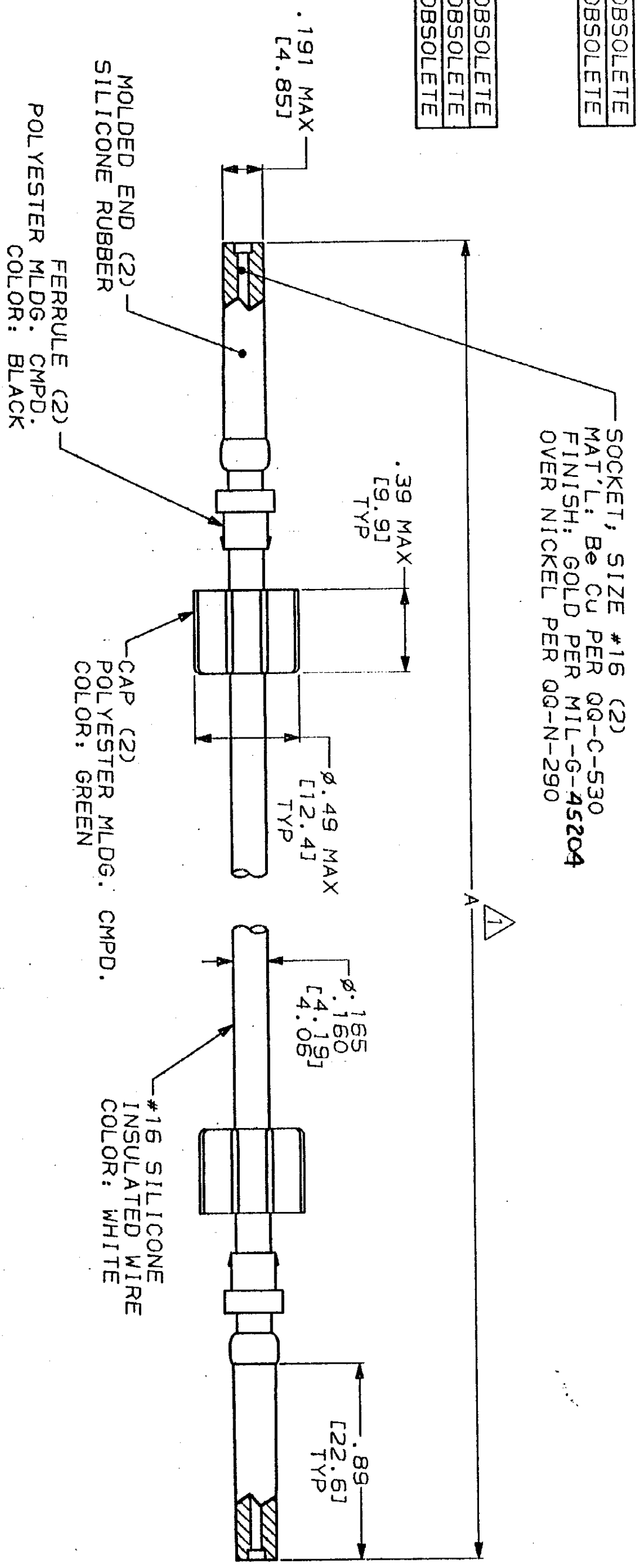


DRAWING MADE IN THIRD ANGLE PROJECTION  
 THIS DRAWING IS UNPUBLISHED. RELEASED FOR PUBLICATION  
 BY AMP INCORPORATED. ALL INTERNATIONAL RIGHTS RESERVED.

PROD CODE	LOC	DIST	P	F	ZONE	LTR	REVISIONS	DATE	APPRO
4092	DF	50					REV 8 REDRAWN PER DF-2571	CT 8/2/91	5

PART NO.	A	
862548-1	6.00 [152.4]	OBSOLETE
862548-2	8.00 [203.2]	OBSOLETE
862548-3	10.00 [254.0]	OBSOLETE
862548-4	12.00 [304.8]	
862548-5	15.00 [381.0]	
862548-6	18.00 [457.2]	OBSOLETE
862548-7	21.00 [533.4]	OBSOLETE
862548-8	24.00 [609.6]	OBSOLETE
862548-9	18.50 [469.9]	OBSOLETE
1-862548-0	40.00 [1016.0]	OBSOLETE
1-862548-1	80.00 [2032.0]	OBSOLETE
1-862548-2	5.00 [127.0]	OBSOLETE
1-862548-3	72.00 [1828.8]	OBSOLETE
1-862548-4	48.00 [1219.2]	OBSOLETE
1-862548-5	30.00 [762.0]	OBSOLETE
1-862548-6	36.00 [914.4]	OBSOLETE
1-862548-7	20.00 [508.0]	OBSOLETE
1-862548-8	61.00 [1549.4]	OBSOLETE
1-862548-9	17.00 [431.8]	
2-862548-0	180.00 [4572.0]	
2-862548-1	19.00 [482.6]	
2-862548-2	360.00 [9144.0]	OBSOLETE
2-862548-3	26.00 [660.4]	OBSOLETE
2-862548-4	96.00 [2438.4]	OBSOLETE



- △ TOLERANCE OF LEAD LENGTH:  
 UP TO 24 INCHES [609.6] = ±.12 [±3.0]  
 24 INCHES [609.6] & UP = ±1%
- MARKED PER MIL-STD-130.
  - TO MATE WITH AMP LGH-1/2L RECEPTACLE WITH .89 [22.6] BARREL DEPTH.
  - OPERATING VOLTAGE: 15 KVDC AT 0 TO 70,000 FEET, -55°C TO 125°C.

DO NOT SCALE PRINT. UNLESS SPECIFIED DIMENSIONS IN INCHES [mm]	DR 2-14-90	AMP INCORPORATED
TOLERANCES ON 1	C.K. THOMAS	Harrisburg, Pa. 17105
2 PLC DEC ± .02 [0.51]	<i>P. McAlle</i> 8/14/91	
3 PLC DEC ± .	<i>J. McAlle</i> 8/14/91	
ANGLES ±		
MATERIAL	APPD -	NAME
SEE CALLOUTS	PRODUCT SPEC	LEAD ASS'Y, POS STOP, DBL. END, LGH-1/2L
FINISH	APPLICATION SPEC	SIZE C
	WEIGHT	CAGE CODE 00779
		DRAWING NO 862548
		SCALE 2:1
		SHEET 1 OF 1

AMP 1471-S REV 6-89

CUSTOMER DRAWING

14 FEB 1989 1425:12 116412 08133539780000000000

862548