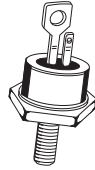


**CS65-70B SERIES**

**SILICON CONTROLLED RECTIFIERS  
70 AMP, 200 THRU 1200 VOLT**



**TO-65 CASE**



[www.centrasemi.com](http://www.centrasemi.com)

**DESCRIPTION:**

The CENTRAL SEMICONDUCTOR C65-70B series is a high power Silicon Controlled Rectifier designed for phase control applications.

**MARKING: FULL PART NUMBER**

**MAXIMUM RATINGS:** ( $T_A=25^\circ\text{C}$  unless otherwise noted)

	SYMBOL	CS65						UNITS
		-70B	-70D	-70M	-70N	-70P	-70PB	
Peak Repetitive Off-State Voltage	$V_{DRM}, V_{RRM}$	200	400	600	800	1000	1200	V
Peak Non-Repetitive Reverse Voltage	$V_{RSM}$	300	500	700	900	1100	1300	V
RMS On-State Current ( $T_C=102^\circ\text{C}$ )	$I_T(\text{RMS})$				63			A
Average On-State Current ( $T_C=102^\circ\text{C}$ )	$I_T(\text{AV})$				40			A
Peak One Cycle Surge Current (60Hz)	$I_{TSM}$				1000			A
$I^2t$ Value for Fusing ( $t=8.3\text{ms}$ )	$I^2t$				4100			$\text{A}^2\text{s}$
Peak Forward Gate Voltage	$V_{FGM}$				20			V
Peak Reverse Gate Voltage	$V_{RGM}$				10			V
Peak Gate Power	$P_{GM}$				10			W
Average Gate Power ( $t_p=10\mu\text{s}$ )	$P_G(\text{AV})$				1.0			W
Peak Forward Gate Current	$I_{FGM}$				3.0			A
Critical Rate of Rise of On-State Current	$di/dt$				200			$\text{A}/\mu\text{s}$
Operating Junction Temperature	$T_J$				-65 to +125			$^\circ\text{C}$
Storage Temperature	$T_{stg}$				-65 to +150			$^\circ\text{C}$
Thermal Resistance	$\theta_{JC}$				0.35			$^\circ\text{C}/\text{W}$

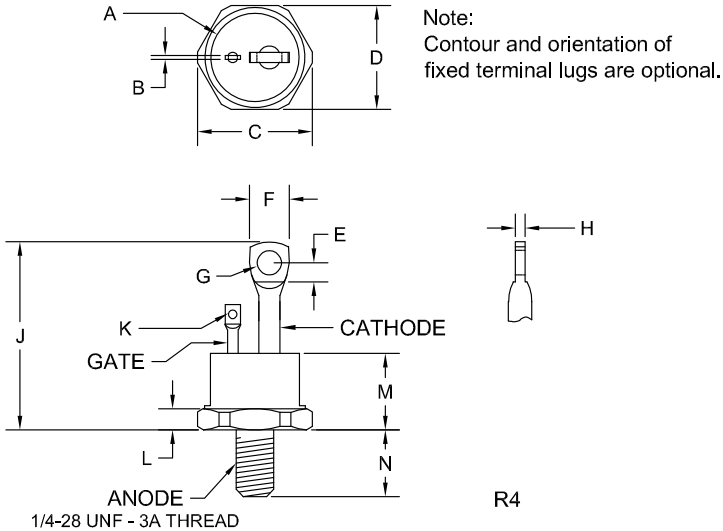
**ELECTRICAL CHARACTERISTICS:** ( $T_A=25^\circ\text{C}$  unless otherwise noted)

SYMBOL	TEST CONDITIONS	MIN	MAX	UNITS
$I_{DRM}, I_{RRM}$	$V_D=\text{Rated } V_{DRM}, V_{RRM}, T_C=125^\circ\text{C}$		6.0	mA
$I_{GT}$	$V_D=12\text{V}, R_L=33\Omega$		100	mA
$I_H$	$I_T=500\text{mA}$		200	mA
$V_{GT}$	$V_D=12\text{V}, R_L=33\Omega$		3.0	V
$V_{TM}$	$I_{TM}=500\text{A}$		3.0	V
$dv/dt$	$V_D=0.67 \times V_{DRM}, T_C=125^\circ\text{C}$	200		$\text{V}/\mu\text{s}$

**CS65-70B SERIES**  
**SILICON CONTROLLED RECTIFIERS**  
**70 AMP, 200 THRU 1200 VOLT**



**TO-65 CASE - MECHANICAL OUTLINE**



SYMBOL	INCHES		MILLIMETERS	
	MIN	MAX	MIN	MAX
A (DIA)	-	0.667	-	16.94
B	0.014	0.030	0.35	0.76
C	-	0.770	-	19.56
D	0.667	0.687	16.94	17.45
E	0.120	-	3.05	-
F	0.200	0.300	5.08	7.62
G (DIA)	0.125	0.165	3.18	4.19
H	0.026	0.085	0.65	2.15
J	1.000	1.339	25.40	34.00
K (DIA)	0.053	0.075	1.35	1.91
L	0.113	0.210	2.87	5.33
M	-	0.622	-	15.80
N	0.422	0.453	10.72	11.51

TO-65 (REV: R4)

R5 (17-April 2018)

## OUTSTANDING SUPPORT AND SUPERIOR SERVICES



---

### PRODUCT SUPPORT

Central's operations team provides the highest level of support to insure product is delivered on-time.

- Supply management (Customer portals)
- Inventory bonding
- Consolidated shipping options
- Custom bar coding for shipments
- Custom product packing

---

### DESIGNER SUPPORT/SERVICES

Central's applications engineering team is ready to discuss your design challenges. Just ask.

- Free quick ship samples (2<sup>nd</sup> day air)
- Online technical data and parametric search
- SPICE models
- Custom electrical curves
- Environmental regulation compliance
- Customer specific screening
- Up-screening capabilities
- Special wafer diffusions
- PbSn plating options
- Package details
- Application notes
- Application and design sample kits
- Custom product and package development

---

### REQUESTING PRODUCT PLATING

1. If requesting Tin/Lead plated devices, add the suffix "TIN/LEAD" to the part number when ordering (example: 2N2222A TIN/LEAD).
2. If requesting Lead (Pb) Free plated devices, add the suffix "PBFREE" to the part number when ordering (example: 2N2222A PBFREE).

---

### CONTACT US

#### Corporate Headquarters & Customer Support Team

Central Semiconductor Corp.  
145 Adams Avenue  
Hauppauge, NY 11788 USA  
Main Tel: (631) 435-1110  
Main Fax: (631) 435-1824  
Support Team Fax: (631) 435-3388  
[www.centrasemi.com](http://www.centrasemi.com)

**Worldwide Field Representatives:**  
[www.centrasemi.com/wwreps](http://www.centrasemi.com/wwreps)

**Worldwide Distributors:**  
[www.centrasemi.com/wwdistributors](http://www.centrasemi.com/wwdistributors)

---

For the latest version of Central Semiconductor's **LIMITATIONS AND DAMAGES DISCLAIMER**, which is part of Central's Standard Terms and Conditions of sale, visit: [www.centrasemi.com/terms](http://www.centrasemi.com/terms)



<http://www.centrasemi.com>

# Product End of Life Notification

<b>PDN ID:</b>	PDN01091
<b>Notification Date:</b>	5/02/18
<b>Last Buy Date:</b>	11/02/18
<b>Last Shipment Date</b>	5/02/19

Summary: The CS65-70M and CEN1284 Silicon Controlled Rectifiers are discontinued and now classified as End of Life (EOL).

Although Central Semiconductor Corp. makes every effort to continue to produce devices that have been proclaimed EOL (End of Life) by other manufacturers, it is an accepted industry practice to discontinue certain devices when customer demand falls below a minimum level of sustainability. Accordingly, the following product(s) have been transitioned to End of Life status as part of Central's ongoing Product Management Process. Any replacement products are noted below. The effective date for placing last purchase orders will be six (6) months from the date of this notice and twelve (12) months from the notice date for final shipments, and minimum order quantities may apply. The last purchase and shipment dates may be extended if inventory is available.

<u>Central Part Number</u>	<u>Replacement</u>
CEN1284	N/A
CS65-70M	N/A

Central would be happy to assist you by providing additional information or technical data to help locate an alternate source if we have no replacement available. Please email your requests to [engineering@centrasemi.com](mailto:engineering@centrasemi.com).

**DISCLAIMER:** This End of Life (EOL) notification is in accordance with JEDEC standard JESD48 - Product Discontinuance. Central Semiconductor Corp. will make every effort to offer life-time buy (LTB) opportunities and/or offer replacement devices to existing customers for discontinued devices, however, one or both may not be possible for all devices. Please contact your local Central Semiconductor sales representative for LTB opportunities/additional information.