

# Customer Information Sheet

DRAWING No.: M80-943XXXX

SHEET 2 OF 2

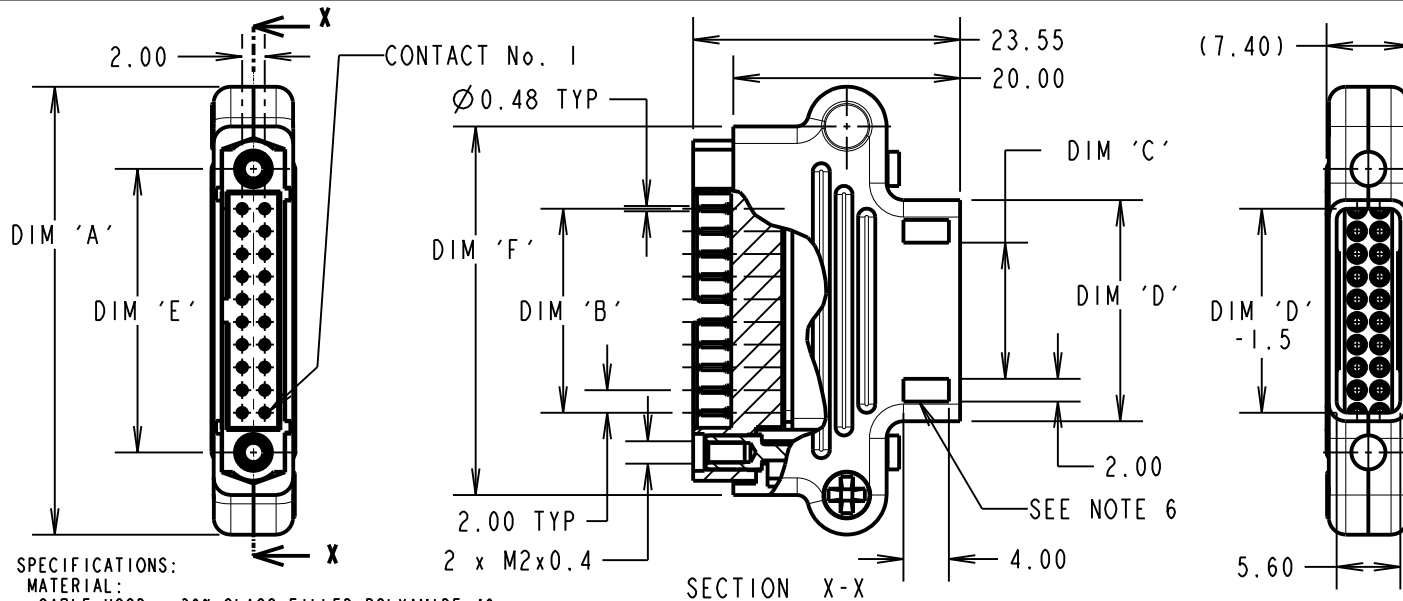
IF IN DOUBT - ASK

©

NOT TO SCALE

THIRD ANGLE PROJECTION

ALL DIMENSIONS IN mm



ORDER CODE: **M80-943XXXX**

TOTAL No. OF CONTACTS \_\_\_\_\_  
 06, 08, 10, 12, 14  
 20, 26, 34, 42, 50

FINISH \_\_\_\_\_  
 05 - GOLD

- NOTES:
- CONNECTORS ARE SUPPLIED WITH CONTACTS, CABLE HOOD SET, AND CABLE HOOD FIXING SCREWS LOOSE.
  - FOR EXTRA CONTACTS, USE PART NUMBER M80-1940005.
  - RECOMMENDED WIRE TYPE = BS 3G 210 TYPE A, PTFE INSULATED 22 AWG. MAX INSULATION DIAMETER =  $\varnothing$ 1.10mm. STRIP WIRE BY 2.00mm.
  - RECOMMENDED HAND CRIMP TOOL = M22520/2-01 WITH POSITIONER T5747. REFER TO TOOLING INSTRUCTION SHEET IS-01 FOR COMPLETE CRIMPING INSTRUCTIONS.
  - CONTACT INSERTION AND EXTRACTION TOOL = Z80-280. REFER TO TOOLING INSTRUCTION SHEET IS-25 FOR ASSEMBLY INSTRUCTIONS.
  - NO CABLE TIE SLOTS ON M80-94306XX AND M80-94308XX.

**SPECIFICATIONS:**  
**MATERIAL:**  
 CABLE HOOD = 30% GLASS-FILLED POLYAMIDE 46  
 DATAMATE MOULDING = 30% GLASS-FILLED PPS,  
 UL94V-0, BLACK  
 CONTACT = BRASS  
 JACKSCREW = STAINLESS STEEL  
 CABLE HOOD FIXING SCREW = STAINLESS STEEL  
**FINISH:**  
 CONTACT:  
 05 = 0.25-0.3 $\mu$  GOLD  
 CABLE HOOD FIXING SCREW = BLACK NICKEL  
**ELECTRICAL:**  
 CURRENT RATING AT 25°C = 3.0A MAX  
 CURRENT RATING AT 85°C = 2.2A MAX  
 WORKING VOLTAGE = 120V AC/DC  
 VOLTAGE PROOF = 360V AC/DC  
 CONTACT RESISTANCE = 25 m $\Omega$  MAX  
 INSULATION RESISTANCE = 100 M $\Omega$  MIN  
**MECHANICAL:**  
 DURABILITY = 500 OPERATIONS  
**ENVIRONMENTAL:**  
 TEMPERATURE RANGE = -55°C TO +125°C  
**PACKING:**  
 LOOSE  
 FOR COMPLETE SPECIFICATION, SEE COMPONENT SPECIFICATION C005XX (LATEST ISSUE)

PART NUMBER	No. OF CONTACTS	PART DIMENSIONS					
		DIM 'A'	DIM 'B'	DIM 'C'	DIM 'D'	DIM 'E'	DIM 'F'
M80-94306XX	6	25.50	4.00	N/A	5.50	11.00	18.50
M80-94308XX	8	27.50	6.00	N/A	7.50	13.00	20.50
M80-94310XX	10	29.50	8.00	2.00	9.50	15.00	22.50
M80-94312XX	12	31.50	10.00	4.00	11.50	17.00	24.50
M80-94314XX	14	33.50	12.00	6.00	13.50	19.00	26.50
M80-94320XX	20	39.50	18.00	12.00	19.50	25.00	32.50
M80-94326XX	26	45.50	24.00	18.00	22.50	31.00	38.50
M80-94334XX	34	53.50	32.00	26.00	33.50	39.00	46.50
M80-94342XX	42	61.50	40.00	34.00	41.50	47.00	54.50
M80-94350XX	50	69.50	48.00	42.00	49.50	55.00	62.50

SB	7	29.03.12	11691
NAME	ISS.	DATE	C/NOTE
APPROVED:		S.BENNETT	
CHECKED:		S.FLOWER	
DRAWN:		N. CODLING	
CUSTOMER REF.:			
ASSEMBLY DRG:			



www.harwin.com  
 technical@harwin.com

THIS DRAWING AND ANY INFORMATION OR DESCRIPTIVE MATTER SET OUT HEREON ARE CONFIDENTIAL AND COPYRIGHT PROPERTY OF THE HARWIN GROUP AND MUST NOT BE DISCLOSED, LOANED, COPIED OR USED FOR MANUFACTURING, TENDERING OR FOR ANY OTHER PURPOSE WITHOUT THEIR WRITTEN PERMISSION.

**TOLERANCES**  
 X. =  $\pm$ 1mm  
 X.X =  $\pm$ 0.25mm  
 X.XX =  $\pm$ 0.10mm  
 X.XXX =  $\pm$ 0.01mm  
**ANGLES =  $\pm$ 5°**  
 UNLESS STATED

**MATERIAL:**  
 SEE ABOVE  
**FINISH:** SEE ABOVE  
**S/AREA:** mm<sup>2</sup>

**TITLE:** JACKSCREW DATAMATE DIL CRIMP (LARGE BORE) MALE ASSY WITH CABLE HOOD KIT  
**DRAWING NUMBER:** M80-943XXXX  
 SHT 2 OF 2