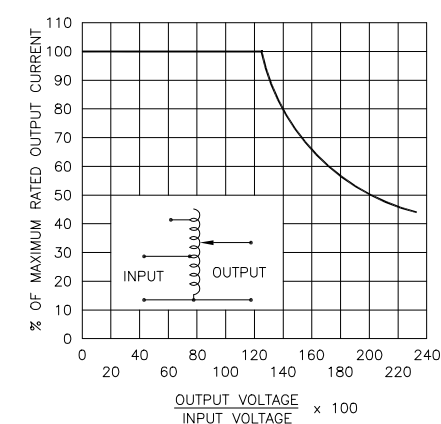
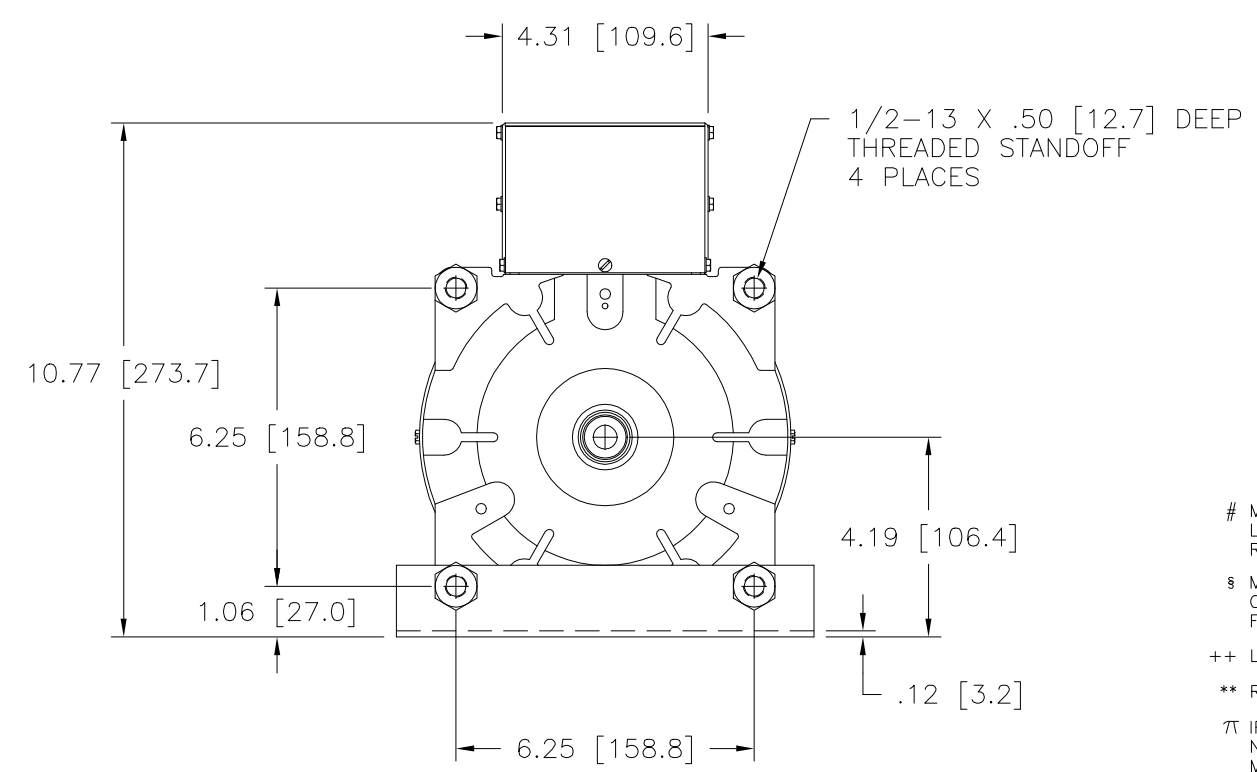


NOTE:
 UNIT IS SUPPLIED WITH A 7.00 [177.8] DIA.
 0-100 GRADUATED DIAL PLATE FOR PANEL MOUNTING.



MAXIMUM OUTPUT CURRENT IN OUTPUT VOLTAGE RANGE FROM 0 TO 25% ABOVE LINE VOLTAGE. AT HIGHER OUTPUT VOLTAGES, THE OUTPUT CURRENT MUST BE REDUCED ACCORDING TO THE DERATING CURVE FIGURE A.
 § MAXIMUM KVA AT MAXIMUM OUTPUT VOLTAGE AND CORRESPONDING DERATED OUTPUT CURRENT. MAXIMUM KVA FOR LOWER VOLTAGES MAY BE CALCULATED FROM DERATING CURVE FIGURE A.
 ++ LINE TO LINE VOLTAGE.
 ** REQUIRES ONE 52LAC PARALLELING CHOKE (NOT SUPPLIED).
 ∇ IF GANGED UNITS ARE USED IN A SYSTEM THAT ORDINARILY HAS A COMMON NEUTRAL OR GROUND BETWEEN SOURCE AND LOAD, THE NEUTRAL OR GROUND MUST BE CONNECTED TO THE COMMON TERMINALS OF THE VARIABLE TRANSFORMER ASSEMBLY. IF THE SYSTEM HAS NO NEUTRAL, THE LOAD MUST BE BALANCED OR THE TRANSFORMER WILL BE DAMAGED.
 ■ JUMPER PROVIDED IN STANDARD COMMON POSITION AND SHOULD BE MOVED OR REMOVED AS REQUIRED.

SPECIFICATIONS											
WIRING	INPUT		OUTPUT				SHAFT ROTATION TO INCREASE VOLTAGE	TERMINAL CONNECTIONS			
	VOLTS	HERTZ	VOLTS	CONSTANT CURRENT LOAD MAX. AMPS	CONSTANT IMPEDANCE LOAD MAX. KVA	MAX. AMPS		MAX. KVA	FOR INCREASING VOLTAGE AS VIEWED FROM BASE END ■		
SINGLE PHASE PARALLEL **	240	50/60	0-240	20	4.80	26	6.20	CW	2-2,4-4	---	4-B
			0-280	20	5.60	---	---	CCW	2-2,4-4	---	2-B
	120	50/60	0-280	20#	2.40 §	---	---	CW	1-1,4-4	---	4-B
			0-280	20#	2.40 §	---	---	CCW	5-5,2-2	---	2-B
SINGLE PHASE SERIES	480	50/60	0-480	10	4.80	13	6.24	CW	2-2	4-4	3-3
			0-560	10	5.60	---	---	CCW	4-4	2-2	3-3
	240	50/60	0-560	10#	2.40 §	---	---	CW	1-1	4-4	3-3
			0-560	10#	2.40 §	---	---	CCW	5-5	2-2	3-3
THREE PHASE OPEN DELTA ∇	240	50/60	0-240	10	4.20	13	5.40	CW	2-4-2	4-4	3-4-3
			0-280	10	4.85	---	---	CCW	4-2-4	2-2	3-2-3
	120	50/60	0-280	10#	2.10 §	---	---	CW	1-4-1	4-4	3-4-3
			0-280	10#	2.10 §	---	---	CCW	5-2-5	2-2	3-2-3

UNLESS OTHERWISE SPECIFIED, TOLERANCE IS # DECIMALS .06 HOLES .01 ANGLES 1° DRAFT 1-1/2°
 MATERIAL: ALL DIMENSIONS APPLY AFTER PLATING
 UNITS IN [mm]
 TITLE: SPEC. CONTROL DRAWING VARIABLE TRANSFORMER MODEL: 2520CT-2
 STACO ENERGY PRODUCTS CO. A COMPONENTS CORPORATION OF AMERICA COMPANY DAYTON, OHIO U.S.A.
 DRAWN BY S.A. SMITH DATE 12/18/98 FIRST USED ON DO NOT SCALE DWG. CUSTOMER APPROVAL DATE
 CHECKER DATE WEIGHT APPROX. 50 LBS CODE IDENT. NO. 83008 DWG. NO. 031-5513
 ENGINEER DATE SCALE .50=1 SHEET 1 OF 1