



Certifications & Ratings

- RoHS compliant

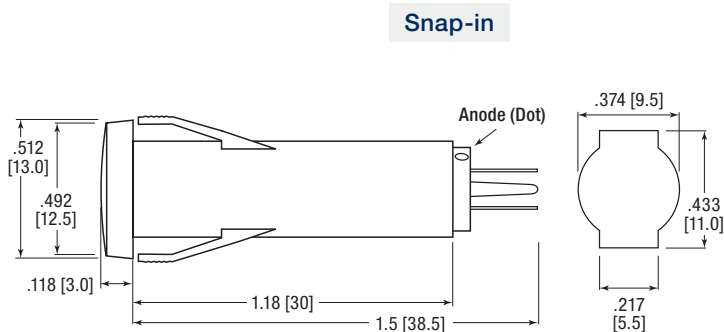
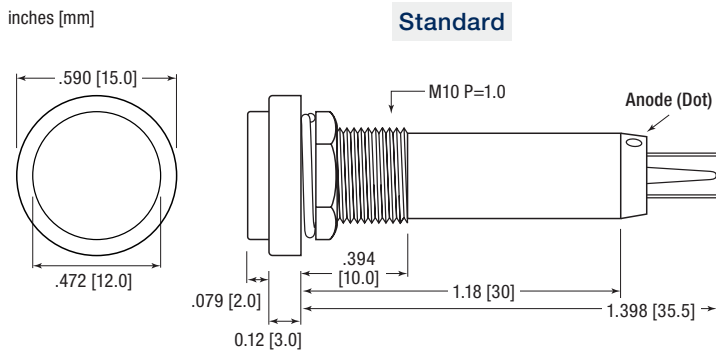
Application

The 680 Series LED Panel Mount Indicators are designed for a variety of applications such as:

- Main power indication
 - Remote power indication
 - Status indication
 - Maintenance and warning indication
 - Instrumentation
- ... and many more!

Dimensions

inches [mm]



6" Wire Leads



Mechanical Information

Mounting Hole Size: 0.413" (10.5 mm) (Standard)
Snap-in, see drawing

Max Panel Thickness: 0.236" (6.0 mm) (Standard);
0.098" (2.49 mm) (Snap-in)

Mounting Torque: 0.217 lbs/ft (3 kg/cm) (Standard)

Specifications

Voltage Options: 6, 12, & 24 VDC (no resistor required)

Operating Temp: -20°C to +75°C (-4°F to +167°F)

Storage Temp: -40°C to +100°C (-40°F to +212°F)

Electrical Connection: Solder terminals, 6" wire leads

Housing: Polycarbonate

Terminals: Copper—Nickel Plated

Lock Washer: Iron—Nickel Plated

Nut: Brass—Nickel Plated



Ordering Information 680 Series

Part Number Guide RoHS Compliant

6 8 0 - 3 X 3 X - X X X F

| LED Color* | | Termination | | Mounting Style | | Lens Color * | | Voltage | |
|------------|---|------------------|---|----------------|---|--------------|--|---------|-------|
| ● Red | 1 | Solder Terminals | 2 | Standard | 1 | 1 ● Red | | 2 | 6VDC |
| ● Green | 2 | 6" Wire Leads | 5 | Snap-in | 2 | 2 ● Green | | 3 | 12VDC |
| ● Orange | 3 | | | | | 3 ● Orange | | 4 | 24VDC |
| ● Blue | 4 | | | | | 4 ● Blue | | | |

* Lens color same as LED color

| Dialight P/N | | | Color | Current (mA) | Typical Intensity (mcd) | Panel Thickness | Termination |
|--------------|--------|--------|-------|--------------|-------------------------|-----------------|-------------|
| 6 VDC | 12 VDC | 24 VDC | | | | | |

Standard

| 6 VDC | 12 VDC | 24 VDC | Color | Current (mA) | Typical Intensity (mcd) | Panel Thickness | Termination |
|---------------|---------------|---------------|----------|--------------|-------------------------|-----------------|------------------|
| 680-3132-121F | 680-3132-131F | 680-3132-141F | ● Red | 15 | 1530 | 0.236" (6.0mm) | Solder Terminals |
| 680-3232-122F | 680-3232-132F | 680-3232-142F | ● Green | | 4330 | | |
| 680-3332-123F | 680-3332-133F | 680-3332-143F | ● Orange | | 1455 | | |
| 680-3432-124F | 680-3432-134F | 680-3432-144F | ● Blue | | 245 | | |
| 680-3135-121F | 680-3135-131F | 680-3135-141F | ● Red | | 1530 | | Wire Leads |
| 680-3235-122F | 680-3235-132F | 680-3235-142F | ● Green | | 4330 | | |
| 680-3335-123F | 680-3335-133F | 680-3335-143F | ● Orange | | 1455 | | |
| 680-3435-124F | 680-3435-134F | 680-3435-144F | ● Blue | | 245 | | |

Snap-in

| 6 VDC | 12 VDC | 24 VDC | Color | Current (mA) | Typical Intensity (mcd) | Panel Thickness | Termination |
|---------------|---------------|---------------|----------|--------------|-------------------------|-----------------|------------------|
| 680-3132-221F | 680-3132-231F | 680-3132-241F | ● Red | 15 | 335 | 0.098" (2.5mm) | Solder Terminals |
| 680-3232-222F | 680-3232-232F | 680-3232-242F | ● Green | | 4070 | | |
| 680-3332-223F | 680-3332-233F | 680-3332-243F | ● Orange | | 1025 | | |
| 680-3432-224F | 680-3432-234F | 680-3432-244F | ● Blue | | 730 | | |
| 680-3135-221F | 680-3135-231F | 680-3135-241F | ● Red | | 335 | | Wire Leads |
| 680-3235-222F | 680-3235-232F | 680-3235-242F | ● Green | | 4070 | | |
| 680-3335-223F | 680-3335-233F | 680-3335-243F | ● Orange | | 1025 | | |
| 680-3435-224F | 680-3435-234F | 680-3435-244F | ● Blue | | 730 | | |

Dialight reserves the right to make changes at any time in order to supply the best product possible. The most current version of this document will always be available at: www.dialightsignalsandcomponents.com

Warranty Statement: Except for the warranty expressly provided for [herein/above/below], Dialight disclaims any and all other warranties, express or implied, including, without limitation, any warranties of merchantability, fitness for a particular purpose, title, and noninfringement.