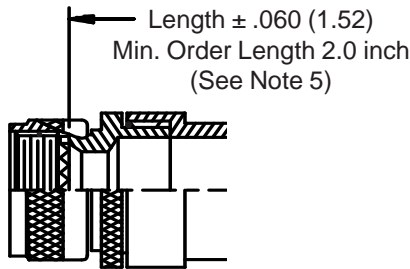
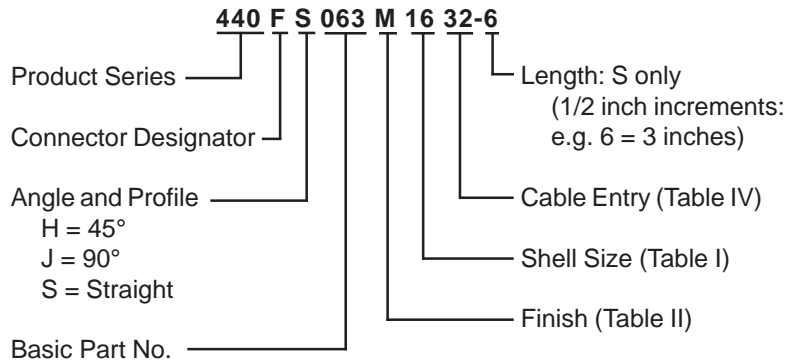
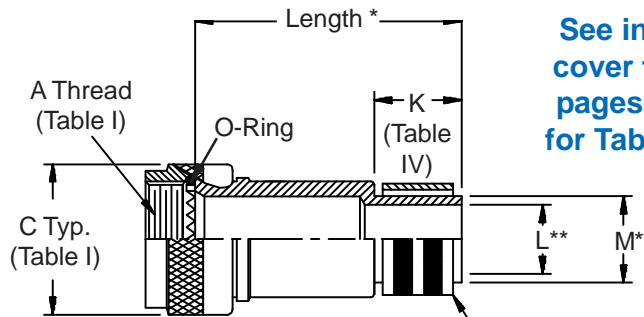


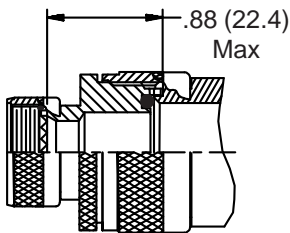
**CONNECTOR
 DESIGNATORS
 A-F-H-L-S
 ROTATABLE
 COUPLING**



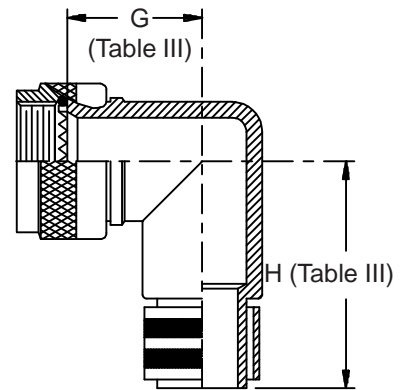
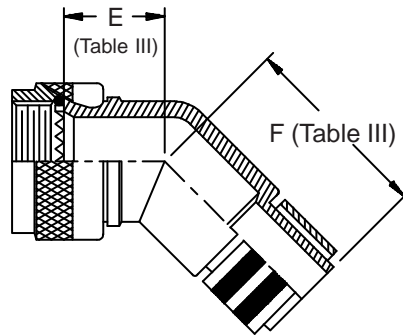
**STYLE 2
 (STRAIGHT
 See Note 1)**



**See inside back
 cover fold-out or
 pages 13 and 14
 for Tables I and II.**



**STYLE 2
 (45° & 90°
 See Note 1)**



-445 Add "-445" to Specify Glenair's Non-Detent, ("NESTOR") Spring-Loaded, Self-Locking Coupling. See Page 41 for Details.

Metric dimensions (mm) are indicated in parentheses.

440-063
EMI/RFI Crimp Ring Adapter
Rotatable Coupling - Standard Profile



TABLE III: ELBOW DIMENSIONS

| Shell Size | | E | | F | | G | | H | |
|--------------|----|------|--------|-------|--------|-------|--------|-------|--------|
| Conn. Desig. | H | Max | | Max | | Max | | Max | |
| A-F-L-S | | | | | | | | | |
| 08 | 09 | .639 | (16.2) | .702 | (17.8) | .750 | (19.1) | .812 | (20.6) |
| 10 | 11 | .664 | (16.9) | .732 | (18.6) | .812 | (20.6) | .875 | (22.2) |
| 12 | 13 | .688 | (17.5) | 1.040 | (26.4) | .875 | (22.2) | 1.220 | (31.0) |
| 14 | 15 | .705 | (17.9) | 1.070 | (27.2) | .920 | (23.4) | 1.290 | (32.8) |
| 16 | 17 | .732 | (18.6) | 1.090 | (27.7) | .980 | (24.9) | 1.350 | (34.3) |
| 18 | 19 | .748 | (19.0) | 1.100 | (27.9) | 1.020 | (25.9) | 1.370 | (34.8) |
| 20 | 21 | .773 | (19.6) | 1.120 | (28.4) | 1.080 | (27.4) | 1.430 | (36.3) |
| 22 | 23 | .800 | (20.3) | 1.160 | (29.5) | 1.140 | (29.0) | 1.510 | (38.4) |
| 24 | 25 | .823 | (20.9) | 1.190 | (30.2) | 1.200 | (30.5) | 1.580 | (40.1) |

1. When maximum cable entry (page 21) is exceeded, Style 2 will be supplied. Dimensions E, F, G and H will not apply. Please consult factory.
2. For proper installation of crimp ring, use Thomas & Betts (or equivalent) installation dies listed (Table IV) for each dash no.
3. Dimensions shown are not intended for inspection criteria.
4. Consult factory for shorter lengths on straight backshells.
5. Interface O-Ring not supplied with Connector Designator A.

TABLE IV: CABLE ENTRY

| Dash No. | K Nom | L Nom | M Nom | N Nom | P Nom | R Nom | Color Code (Ref.) | Inst. Tool Die No. (Note 2) |
|----------|-------------|--------------|--------------|-------------|--------------|--------------|-------------------|-----------------------------|
| 06 | .312 (7.9) | .090 (2.3) | .113 (2.9) | .250 (6.4) | .156 (4.0) | .194 (4.9) | Yellow | WT402 |
| 10 | .312 (7.9) | .124 (3.1) | .145 (3.7) | .250 (6.4) | .187 (4.7) | .227 (5.8) | Orange | WT406 |
| 13 | .312 (7.9) | .149 (3.8) | .179 (4.5) | .250 (6.4) | .225 (5.7) | .256 (6.5) | Purple | WT409 |
| 16 | .312 (7.9) | .175 (4.4) | .215 (5.5) | .250 (6.4) | .261 (6.6) | .297 (7.5) | Yellow | WT411 |
| 20 | .312 (7.9) | .219 (5.6) | .250 (6.4) | .250 (6.4) | .297 (7.5) | .335 (8.5) | Green | WT414 |
| 23 | .312 (7.9) | .250 (6.4) | .281 (7.1) | .250 (6.4) | .327 (8.3) | .372 (9.4) | Tin | WT416 |
| 26 | .312 (7.9) | .275 (7.0) | .306 (7.8) | .250 (6.4) | .375 (9.5) | .406 (10.3) | Yellow | WT440/5451 |
| 29 | .312 (7.9) | .297 (7.5) | .335 (8.5) | .250 (6.4) | .405 (10.3) | .453 (11.5) | Red | WT440/5452 |
| 30 | .312 (7.9) | .312 (7.9) | .365 (9.3) | .250 (6.4) | .425 (10.8) | .473 (12.0) | Tin | WT440/5454 |
| 31 | .312 (7.9) | .375 (9.5) | .406 (10.3) | .250 (6.4) | .500 (12.7) | .560 (14.2) | Green | WT440/5457 |
| 32 | .600 (15.2) | .430 (10.9) | .500 (12.7) | .440 (11.2) | .590 (15.0) | .670 (17.0) | Red | GS590 |
| 33 | .600 (15.2) | .550 (14.0) | .620 (15.7) | .440 (11.2) | .710 (18.0) | .790 (20.1) | Blue | GS710 |
| 34 | .600 (15.2) | .670 (17.0) | .750 (19.1) | .440 (11.2) | .840 (21.3) | .920 (23.4) | Gray | GS840 |
| 35 | .600 (15.2) | .810 (20.6) | .880 (22.4) | .440 (11.2) | 1.010 (25.7) | 1.090 (27.7) | Brown | GS1010 |
| 36 | .600 (15.2) | .920 (23.4) | 1.000 (25.4) | .440 (11.2) | 1.130 (28.7) | 1.210 (30.7) | Green | GS1130 |
| 38 | .600 (15.2) | 1.040 (26.4) | 1.120 (28.4) | .440 (11.2) | 1.250 (31.8) | 1.330 (33.8) | Pink | GS1250 |
| 39 | .600 (15.2) | 1.122 (28.5) | 1.192 (30.3) | .440 (11.2) | 1.332 (33.8) | 1.412 (35.9) | Orange | GS1332 |
| 40 | .600 (15.2) | 1.224 (31.1) | 1.294 (32.9) | .440 (11.2) | 1.440 (36.6) | 1.520 (38.6) | Purple | GS1440 |
| 41 | .600 (15.2) | 1.353 (34.4) | 1.423 (36.1) | .440 (11.2) | 1.562 (39.7) | 1.643 (41.7) | Yellow | GS1563 |
| 42 | .600 (15.2) | 1.425 (36.2) | 1.545 (39.2) | .440 (11.2) | 1.670 (42.4) | 1.750 (44.5) | Red | GS1670 |
| 43 | .600 (15.2) | 1.550 (39.4) | 1.670 (42.4) | .440 (11.2) | 1.795 (45.6) | 1.875 (47.6) | Blue | GS1795 |
| 44 | .600 (15.2) | 1.675 (42.5) | 1.795 (45.6) | .440 (11.2) | 1.920 (48.8) | 2.000 (50.8) | Gray | GS1920 |
| 45 | .600 (15.2) | 1.800 (45.7) | 1.920 (48.8) | .440 (11.2) | 2.045 (51.9) | 2.125 (54.0) | Brown | GS2045 |
| 46 | .600 (15.2) | 1.925 (48.9) | 2.045 (51.9) | .440 (11.2) | 2.170 (55.1) | 2.250 (57.2) | Green | GS2170 |
| 47 | .600 (15.2) | 2.050 (52.1) | 2.170 (55.1) | .440 (11.2) | 2.295 (58.3) | 2.375 (60.3) | Pink | GS2295 |
| 48 | .600 (15.2) | 2.175 (55.2) | 2.295 (58.3) | .440 (11.2) | 2.420 (61.5) | 2.500 (63.5) | Orange | GS2420 |
| 49 | .600 (15.2) | 2.300 (58.4) | 2.420 (61.5) | .440 (11.2) | 2.545 (64.6) | 2.625 (66.7) | Purple | GS2545 |
| 50 | .600 (15.2) | 2.425 (61.6) | 2.545 (64.6) | .440 (11.2) | 2.670 (67.8) | 2.750 (69.9) | Yellow | GS2670 |
| 51 | .600 (15.2) | 2.530 (64.3) | 2.670 (67.8) | .440 (11.2) | 2.795 (71.0) | 2.875 (73.0) | Red | GS2795 |
| 52 | .600 (15.2) | 2.655 (67.4) | 2.795 (71.0) | .440 (11.2) | 2.920 (74.2) | 3.000 (76.2) | Blue | GS2920 |
| 53 | .600 (15.2) | 2.780 (70.6) | 2.920 (74.2) | .440 (11.2) | 3.045 (77.3) | 3.125 (79.4) | Gray | GS3045 |
| 54 | .600 (15.2) | 2.905 (73.8) | 3.045 (77.3) | .440 (11.2) | 3.170 (80.5) | 3.250 (82.6) | Brown | GS3170 |