

THIS DRAWING IS UNPUBLISHED.

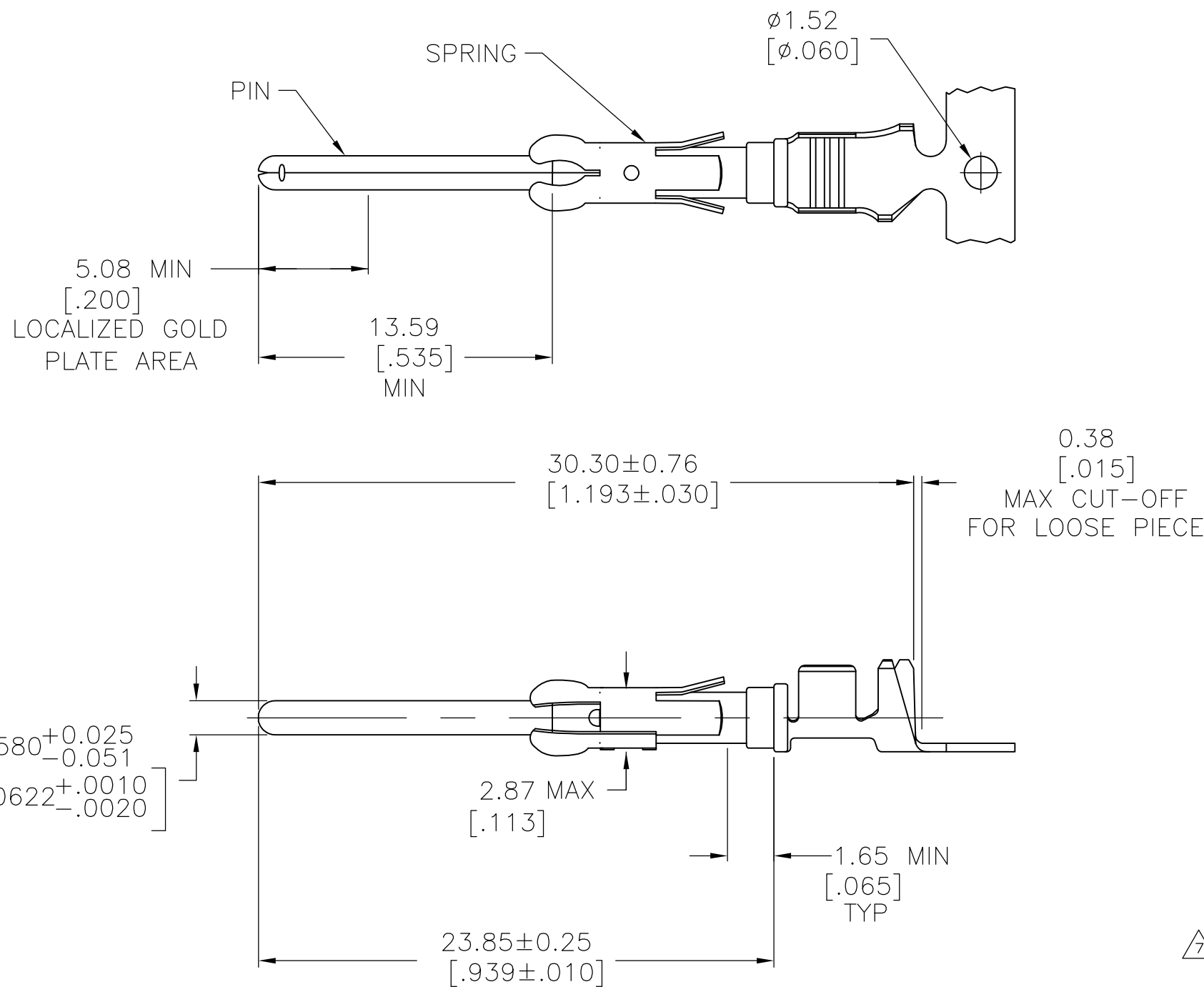
RELEASED FOR PUBLICATION

ALL RIGHTS RESERVED.

© COPYRIGHT - By -

REVISIONS

P	LTR	DESCRIPTION	DATE	DWN	APVD
	F3	REVISED PER ECO-16-004800	08SEP2016	NK	MZ



- 1 STAINLESS STEEL.
- 2 BRASS.
- 3 1.27µm [.000050] MIN TIN-LEAD OVER 1.27µm [.000050] MIN NICKEL.
- 4 WIRE RANGE: 14-18 AWG. INSULATION RANGE: 2.79-3.81 [.110-.150] DIA.
- 5 0.76µm [.000030] MIN GOLD IN LOCALIZED GOLD PLATE AREA, OVER 1.27µm [.000050] MIN NICKEL.
- 6 1.27µm [.000050] MIN TIN OVER 1.27µm [.000050] MIN NICKEL.
- 7 OBSOLETE PARTS: OBSOLETE CIS STREAMLINING PER D.RENAUD/D.SINISI

	LOOSE PIECE	6	213603-6
	STRIP	6	213603-5
7	OBSOLETE LOOSE PIECE	5	<del>213603-4</del>
	STRIP	5	213603-3
OBSOLETE	LOOSE PIECE	3	<del>213603-2</del>
	STRIP	3	213603-1
	DESCRIPTION	PIN FINISH	PART NO.

THIS DRAWING IS A CONTROLLED DOCUMENT.		DWN L.SIPE 05/07/90	<b>STE</b> TE Connectivity	
DIMENSIONS: mm [INCHES]		CHK R STONE 5-17-90		
TOLERANCES UNLESS OTHERWISE SPECIFIED:		APVD -	NAME	
0 PLC ± -		PRODUCT SPEC -	PIN ASSEMBLY, 5015 SERIES, 14-18 AWG, SPECIAL TYPE III+	
1 PLC ± -		APPLICATION SPEC -	SIZE	CAGE CODE
2 PLC ± 0.13 [.005]		WEIGHT	A3	00779
3 PLC ± -		CUSTOMER DRAWING	DRAWING NO	C-213603
4 PLC ± -		SCALE	4:1	SHEET 1 OF 1
ANGLES ± -		RESTRICTED TO	-	
FINISH SEE TABLE		REV	F3	
MATERIAL SPRING: 1		CUSTOMER DRAWING		
PIN: 2		SCALE 4:1 SHEET 1 OF 1 REV F3		