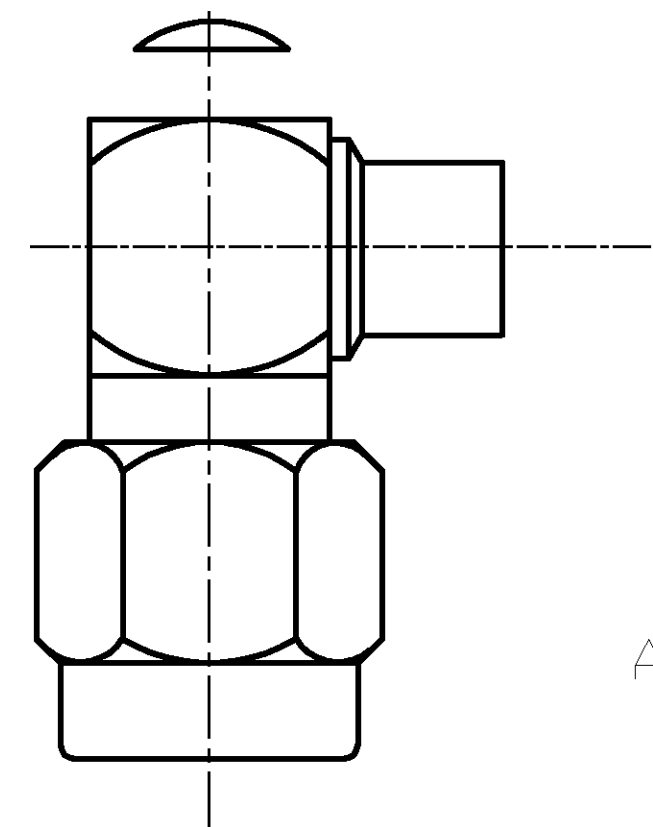


THIS DRAWING IS UNPUBLISHED. RELEASED FOR PUBLICATION N/A, N/A
 © COPYRIGHT N/A BY TYCO ELECTRONICS CORPORATION. ALL RIGHTS RESERVED.

LOC		DIST		REVISIONS			
P	LTR	DESCRIPTION	DATE	DWN	APVD		
	O	RELEASED	11-02	JMK	JL		

COMPONENT	MATERIAL	FINISH
COUPLING NUT	STAINLESS STEEL PER ASTM-A-484 OR ASTM-A-582 TYPE 303	PASSIVATED PER ASTM-A-380
DIELECTRIC	PTFE FLUOROCARBON PER ASTM-D-1457	-
CENTER CONTACT	BERYLLIUM COPPER PER ASTM-B-194 ALLOY C17200, CONDITION H	GOLD PLATED PER ASTM-B-488
HOUSING CAP	STAINLESS STEEL PER ASTM-A-484 OR ASTM-A-582 TYPE 303	GOLD PLATED PER ASTM-B-488
GASKET	SILICONE RUBBER PER ZZ-R-765	-
RETAINING RING	BERYLLIUM COPPER PER ASTM-B-194 ALLOY C17200, CONDITION H	-



AS SHIPPED TO CUSTOMER

ENVIRONMENTAL

TEMPERATURE RATING: -65°C TO +165°C

VIBRATION: MIL-STD-202, METHOD 204, CONDITION D

SHOCK: MIL-STD-202, METHOD 213, CONDITION 1

MOISTURE RESISTANCE: MIL-STD-202, METHOD 106

CORROSION: MIL-STD-202, METHOD 101, CONDITION B. 5% SALT SPRAY

THERMAL SHOCK: MIL-STD-202, METHOD 107, CONDITION B EXCEPT HIGH TEMP 115°C

MECHANICAL

INTERFACE DIMENSIONS: MIL-STD-348A FIG. 310.1

RECOMMENDED MATING TORQUE: 7-10 IN-LBS

FORCE TO ENGAGE & DISENGAGE (IN-LBS MAX): 2.0

WEIGHT (GRAMS): TBD

MATING CHARACTERISTICS: INSERTION (MAX LBS) N/A
WITHDRAWAL (MIN OZ): N/A

CABLE RETENTION: AXIAL FORCE (LBS) 60 MIN
TORQUE (IN-OZ): 55.0

CENTER CONTACT CAPTIVATION: AXIAL (LBS): 6.0
RADIAL (IN-OZ): N/A

ELECTRICAL

NORMAL IMPEDANCE (OHMS): 50

FREQUENCY RANGE (GHz): DC TO 12.4

VOLT RATING @ SEA LEVEL (VRMS MAX): 500

VSWR: 1.10+0.01f(GHz)

INSERTION LOSS: (dB MAX): .05 $\sqrt{f(\text{GHz})}$

RF LEAKAGE (dB MIN): -90 @ 2-3 GHz

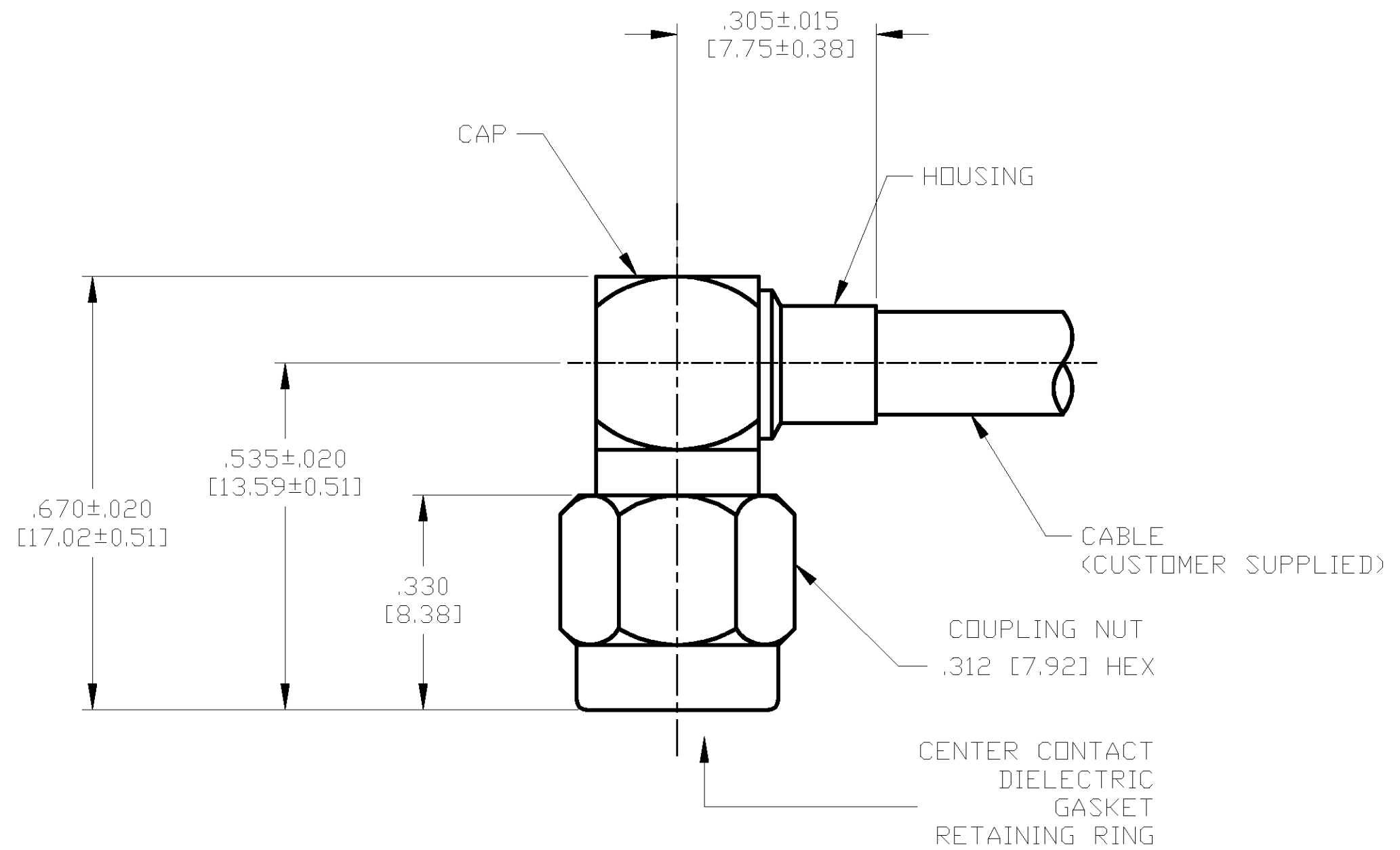
CORONA 70,000 FT (VRMS MIN): 375

DIELECTRIC WITHSTANDING VOLTAGE (VRMS MIN) AT SEA LEVEL: 1500

I.R. (MEGOHMS MIN): 5,000

RF HIGH POTENTIAL AT SEA LEVEL (VRMS MIN @ 5 MHz): 1000

CONTACT RESISTANCE (MILLIOHMS MAX):
 CENTER CONTACT: 4.0
 OUTER CONTACT: 2.0
 CABLE TO HOUSING: 0.5



ASSEMBLED VIEW

DESIGNED TO USE RG-402/U OR EQUIVALENT CABLE ENTRY DIAMETER MIN	HOUSING: .145 [3.68]	CONTACT: .037 [0.94]

THIS DRAWING IS A CONTROLLED DOCUMENT.		DWN J. KAISER 10/07/02
DIMENSIONS: INCHES [mm]		CHK J. LIPPERT 11-20-02
TOLERANCES UNLESS OTHERWISE SPECIFIED:		APVD J. LIPPERT 11-20-02
0 PLC ± -	1 PLC ± -	PRODUCT SPEC
2 PLC ± -	3 PLC ± .005 [0.13]	APPLICATION SPEC
4 PLC ± -	ANGLES ± -	408-4845
MATERIAL SEE TABLE	FINISH SEE TABLE	WEIGHT TBD
CUSTOMER DRAWING		SCALE 5:1 SHEET 1 OF 1 REV 0

1051176-1 PART NO.		Tyco Electronics Corporation Harrisburg, PA 17105	
SMA RIGHT ANGLE CABLE PLUG-DIRECT SOLDER ATTACHMENT (M39012/80-3106) CAT E		SIZE A2	CAGE CODE 00779
DRAWING NO. 1051176		RESTRICTED TO	