



SANYO Semiconductors

DATA SHEET

LB11867FV

Monolithic Digital IC

For Fan Motor

Variable Speed Single-phase Full-wave Pre-driver

Overview

LB11867FV is a single-phase bipolar driving motor pre-driver with the variable speed function compatible with external PWM signal. With a few external parts, a highly-efficient and highly-silent variable drive fan motor with low power consumption can be achieved. This product is best suited for driving of the server requiring large air flow and large current and the fan motor of consumer appliances.

Features

- Single-phase full-wave driving pre-driver
 - ⇒ Low-saturation drive using external PMOS-NMOS enables high-efficiency low power-consumption drive.
- Variable speed control possible with external PWM input
 - ⇒ Separately-excited upper direct PWM ($f=30\text{kHz}$) control method ensures highly silent speed control.
- Current limiting circuit incorporated
 - ⇒ Chopper type current limiting made at startup and during lock.
- Reactive current cut circuit incorporated
 - ⇒ Reactive current before phase changeover is cut, ensuring highly silent and low power-consumption drive.
- Minimum speed setting pin
 - ⇒ Minimum speed can be set by setting the resistance.
- Soft start setting pin
- Lock protection and automatic reset circuits incorporated
- FG (rotation speed detection) output
- Thermal shutdown circuit incorporated

■ Any and all SANYO Semiconductor Co.,Ltd. products described or contained herein are, with regard to "standard application", intended for the use as general electronics equipment (home appliances, AV equipment, communication device, office equipment, industrial equipment etc.). The products mentioned herein shall not be intended for use for any "special application" (medical equipment whose purpose is to sustain life, aerospace instrument, nuclear control device, burning appliances, transportation machine, traffic signal system, safety equipment etc.) that shall require extremely high level of reliability and can directly threaten human lives in case of failure or malfunction of the product or may cause harm to human bodies, nor shall they grant any guarantee thereof. If you should intend to use our products for applications outside the standard applications of our customer who is considering such use and/or outside the scope of our intended standard applications, please consult with us prior to the intended use. If there is no consultation or inquiry before the intended use, our customer shall be solely responsible for the use.

■ Specifications of any and all SANYO Semiconductor Co.,Ltd. products described or contained herein stipulate the performance, characteristics, and functions of the described products in the independent state, and are not guarantees of the performance, characteristics, and functions of the described products as mounted in the customer's products or equipment. To verify symptoms and states that cannot be evaluated in an independent device, the customer should always evaluate and test devices mounted in the customer's products or equipment.

LB11867FV

Specifications

Absolute Maximum Ratings at Ta = 25°C

Parameter	Symbol	Conditions	Ratings	Unit
V _{CC} pin maximum supply voltage	V _{CC} max		18	V
OUTN pin maximum output current	I _{OUTN} max		20	mA
OUTP pin maximum Sink current	I _{OUTP} max		20	mA
OUT pin output withstand voltage	V _{OUT} max		18	V
V _{TH} , RMI pins withstand voltage	V _{VTH} , V _{VRMI} max		7	V
S-S pin withstand voltage	V _{S-S} max		7	V
FG output pin withstand voltage	V _{FG} max		19	V
FG pin maximum output current	I _{FG} max		10	mA
5VREG pin maximum output current	I _{5VREG} max		20	mA
Allowable power dissipation	P _d max	with specified substrate *1	800	mW
Operating temperature	T _{opr}	*2	-30 to 95	°C
Storage temperature	T _{stg}		-55 to 150	°C

*1 Specified substrate: 114.3mm×76.1mm×1.6mm, glass epoxy board.

*2 T_J max=150°C must not be exceeded.

Recommended Operating Conditions at Ta = 25°C

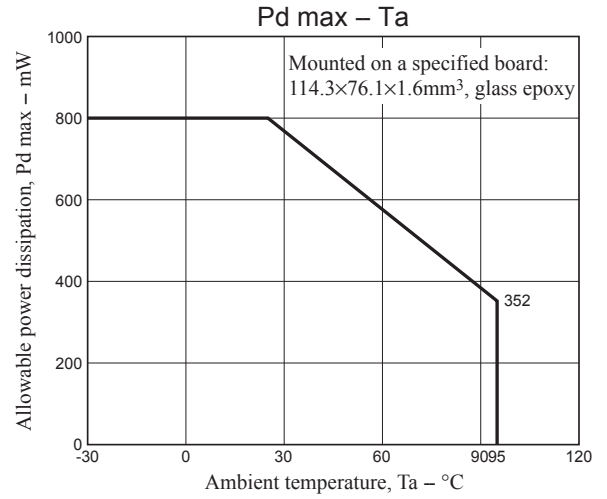
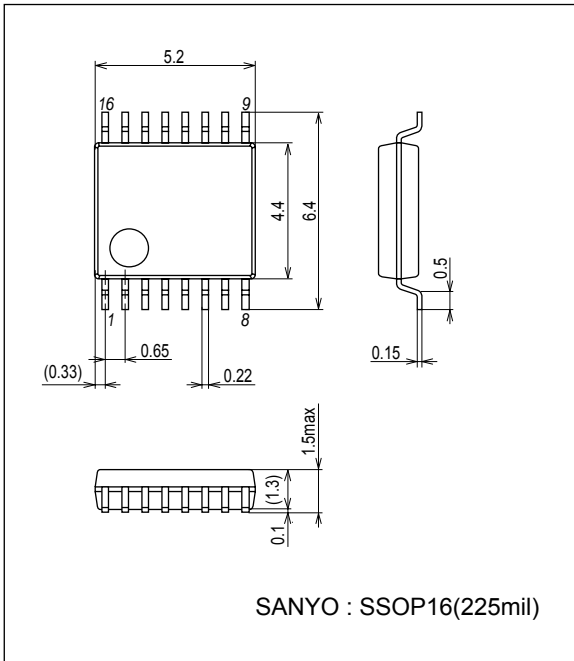
Parameter	Symbol	Conditions	Ratings	Unit
V _{CC} Supply voltage	V _{CC}		5.5 to 16	V
V _{TH} , RMI input voltage range	V _{TH} , RMI		0 to 5	V
Hall input common-phase input voltage range	V _{ICM}		0.2 to 3	V

Electrical Characteristics at Ta = 25°C, V_{CC} = 12V

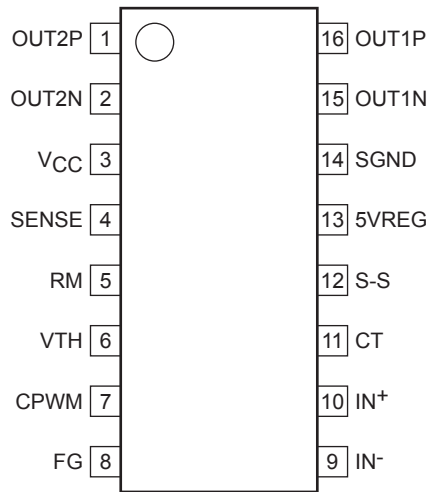
Parameter	Symbol	Conditions	Ratings			Unit
			min	typ	max	
Circuit current	I _{CC1}	During drive	5.5	7.5	9.5	mA
	I _{CC2}	During lock protection	5.5	7.5	9.5	mA
5VREG voltage	5VREG	I _{5VREG} = 5mA	4.80	4.95	5.10	V
Current limiting voltage	V _{LIM}		185	200	215	mV
CPWM pin "H" level voltage	V _{CPWMH}		2.8	3.0	3.2	V
CPWM pin "L" level voltage	V _{CPWML}		0.9	1.1	1.3	V
CPWM pin charge current	I _{CPWM1}	V _{CPWM} = 0.5V	24	30	36	μA
CPWM pin discharge current	I _{CPWM2}	V _{CPWM} = 3.5V	21	27	33	μA
CPWM Oscillation frequency	F _{PWM}	C = 220PF		30		kHz
CT pin "H" level voltage	V _{CTH}		2.8	3.0	3.2	V
CT pin "L" level voltage	V _{CTL}		0.9	1.1	1.3	V
CT pin charge current	I _{CT1}	V _{CT} = 0.5V	1.6	2.0	2.5	μA
CT pin discharge current	I _{CT2}	V _{CT} = 3.5V	0.16	0.20	0.25	μA
CT pin charge/discharge ratio	R _{CT}	I _{CT1} /I _{CT2}	8	10	12	times
S-S pin discharge current	I _{S-S}	V _{S-S} = 1V	0.4	0.5	0.6	μA
OUTN output H-level voltage	V _{ONH}	I _O = 10mA		V _{CC} -0.85	V _{CC} -1.00	V
OUTN output L-level voltage	V _{ONL}	I _O = 10mA		0.9	1.00	V
OUTP output L-level voltage	V _{OPL}	I _O = 10mA		0.5	0.65	V
Hall input sensitivity	V _{HN}	I _N ⁺ , I _N ⁻ differential voltage (including offset and hysteresis)		±10	±20	mV
FG output L-level voltage	V _{FG} L	I _{FG} = 5mA		0.15	0.30	V
FG pin leakage current	I _{FG} L	V _{FG} = 19V			20	μA
V _{TH} /RMI pin bias current	I _{VTH} /I _{RMI}	CPWM = V _{TH} /RMI = 2V			0.1	μA

Package Dimensions

unit : mm (typ)
3178B

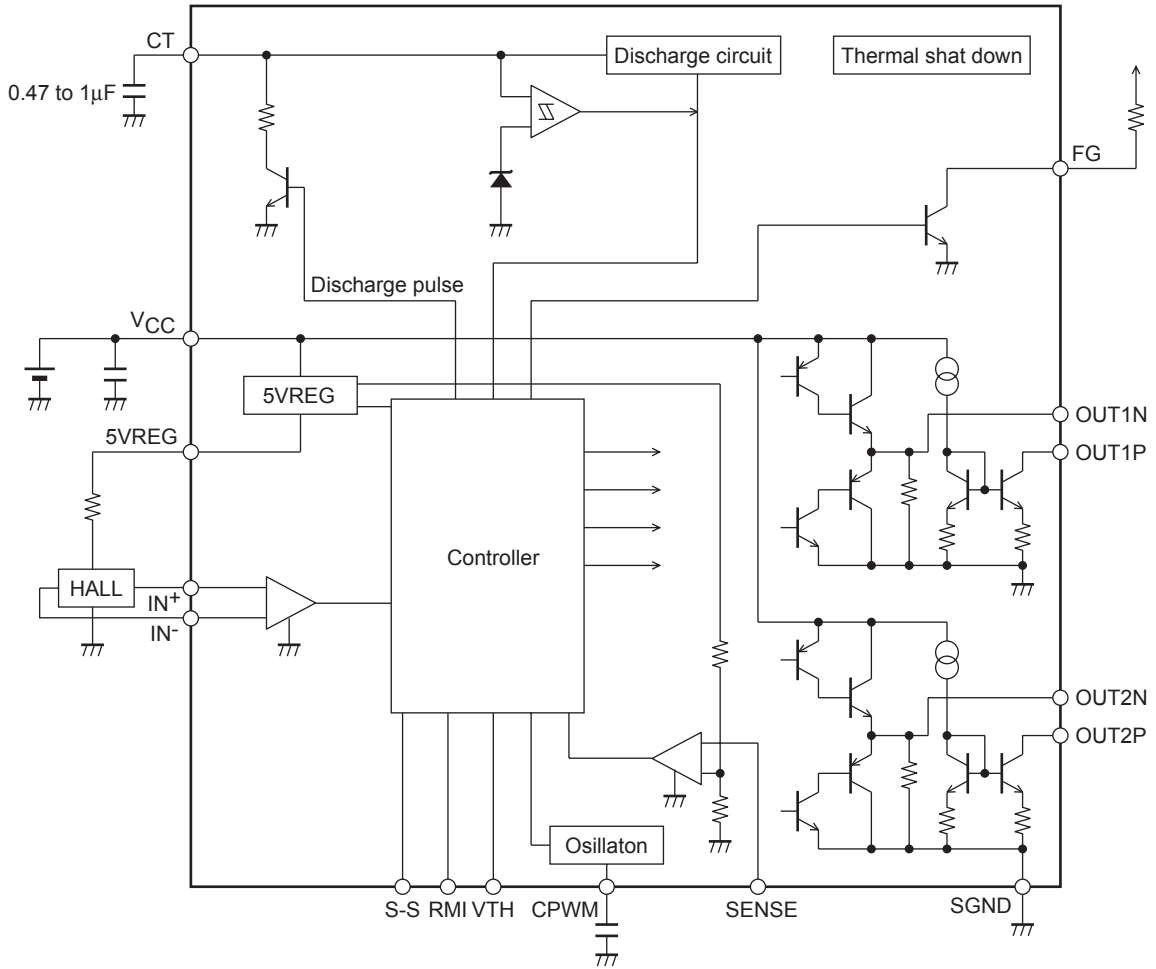


Pin Assignment



Top View

Block Diagram



Truth table

(1) Drive lock CPWM=H VTH, RMI, S-S=L

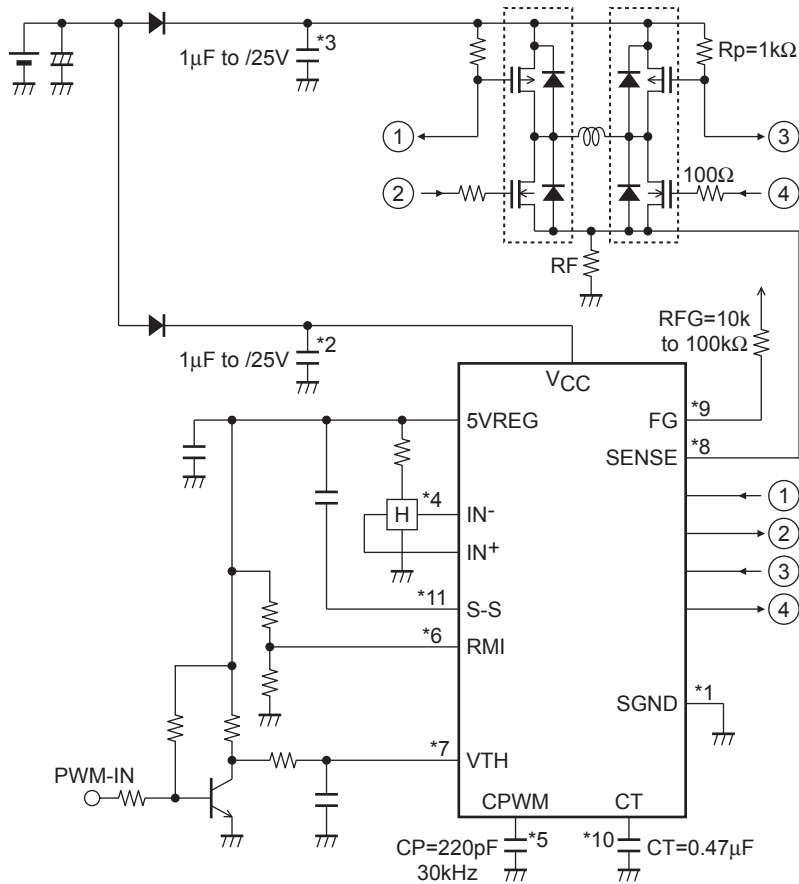
IN ⁻	IN ⁺	CT	OUT1P	OUT1N	OUT2P	OUT2N	FG	Mode
H	L	L	L	L	OFF	H	L	OUT1 → 2 drive
L	H		OFF	H	L	L	OFF	OUT2 → 1 drive
H	L	H	OFF	L	OFF	H	L	Lock protection
L	H		OFF	H	OFF	L	OFF	

(2) Speed control CT, S-S=L

VTH, RMI	CPWM	IN ⁻	IN ⁺	OUT1P	OUT1N	OUT2P	OUT2N	Mode
L	H	H	L	L	L	OFF	H	OUT1 → 2 drive
		L	H	OFF	H	L	L	OUT2 → 1 drive
H	L	H	L	OFF	L	OFF	H	Regeneration mode
		L	H	OFF	H	OFF	L	

For VTH, RMI, and S-S pins, refer to the timing chart.

Application Circuit Example (12V)



*1. Power-GND wiring

SGND is connected to the control circuit power supply system.

*2. Power stabilization capacitor

For the power stabilization capacitor on the signal side, use the capacitance of 1μF or more. Connect VCC and GND with a thick and shortest pattern.

*3. Power stabilization capacitor on the power side

For the power stabilization capacitor on the power side, use the capacitance of 1μF or more. Connect the power supply on the power side and GND with a thick and shortest pattern.

*4. IN⁺, IN⁻ pins

Hall signal input pin.

Wiring should be short to prevent carrying of noise.

If noise is carried, insert the capacitor between IN⁺ and IN⁻ pins.

The Hall input circuit functions as a comparator with hysteresis (15mV).

This also has a soft switch section with ±30mV (input signal differential voltage).

It is also recommended that the Hall input level is minimum 100mV(p-p).

*5. CPWM pin

Pin to connect the capacitor for generation of the PWM basic frequency

The use of CP = 220pF causes oscillation at f = 30kHz, which is the basic frequency of PWM.

As this is used also for the current limiting canceling signal, be sure to connect the capacitor even when the speed control is not made.

*6. RMI pin

Minimum speed setting pin.

Perform pull-up with 5VREG when this pin is not to be used.

If the IC power supply is likely to be turned OFF first when the pin is used with external power supply, be sure to insert the current limiting resistor to prevent inflow of large current. (The same applies to the VTH pin.)

*7. VTH pin

Speed control pin.

Connect this pin to GND when it is not used (at full speed).

For the control method, refer to the timing chart.

For control with pulse input, insert the current limiting resistor and use the pin with the frequency of 20k to 100kHz (20kHz to 50kHz recommended).

*8. SENSE pin

Current limiting detection pin.

When the pin voltage exceeds 0.2V, the current is limited and the operation enters the lower regeneration mode.

Connect this pin to GND when it is not to be used.

*9. FG pin

Rotation speed detection pin.

This is an open collector output, which can detect the rotation speed from the FG output according to the phase changeover. Keep this pin open when it is not to be used.

*10. CT pin

Pin to connect the lock detection capacitor.

The constant-current charge and discharge circuits incorporated cause locking when the pin voltage becomes 3.0V and unlocking when it is 1.1V.

Connect the pin to GND when it is not to be used (locking not necessary).

*11. S-S pin

Pin to connect the soft-start setting capacitor.

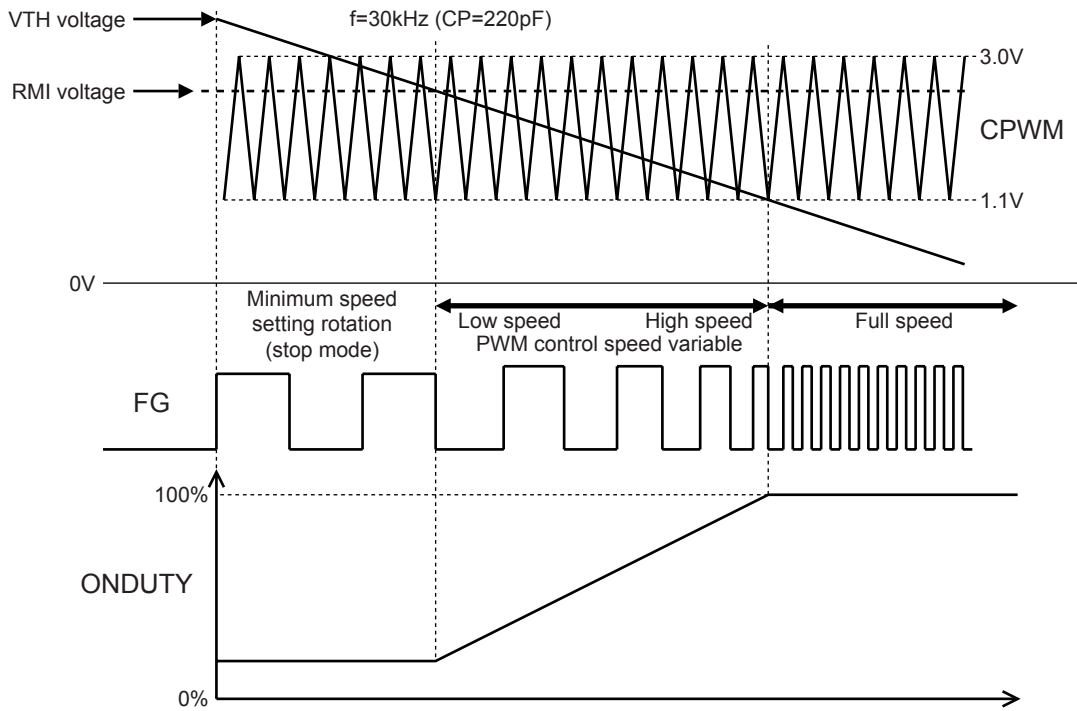
Connect the capacitor between 5VREG and S-S pin.

This pin enables setting of the soft start time according to the capacity of the capacitor.

See the timing char.

Connect the pin to GND when it is not to be used.

Control timing chart (Speed control)



(1) Minimum speed setting (stop) mode

The low-speed fan rotation occurs at the minimum speed set with the RMI pin. When the minimum speed is not set (RMI pin pulled up to 5VREG), the motor stops.

(2) Low speed \leftrightarrow high speed

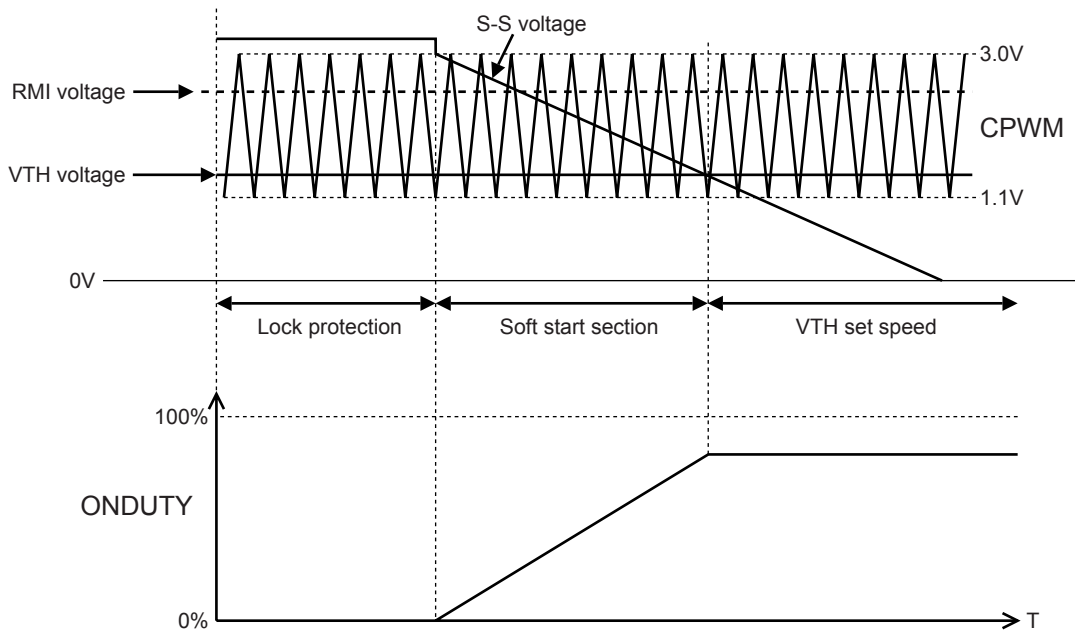
PMW control is made by comparing the CPWM oscillation voltage (1.1V \leftrightarrow 3.0V) and VTH voltage. Both upper and lower output TRs are turned ON when the VTH voltage is low. The upper output TR is turned OFF when the VTH voltage is high, regenerating the coil current in the lower TR. Therefore, as the VTH voltage decreases, the output ON-DUTY increases, causing increase in the coil current, raising the motor rotation speed. The rotation speed can be monitored with the FG output.

(3) Full speed mode

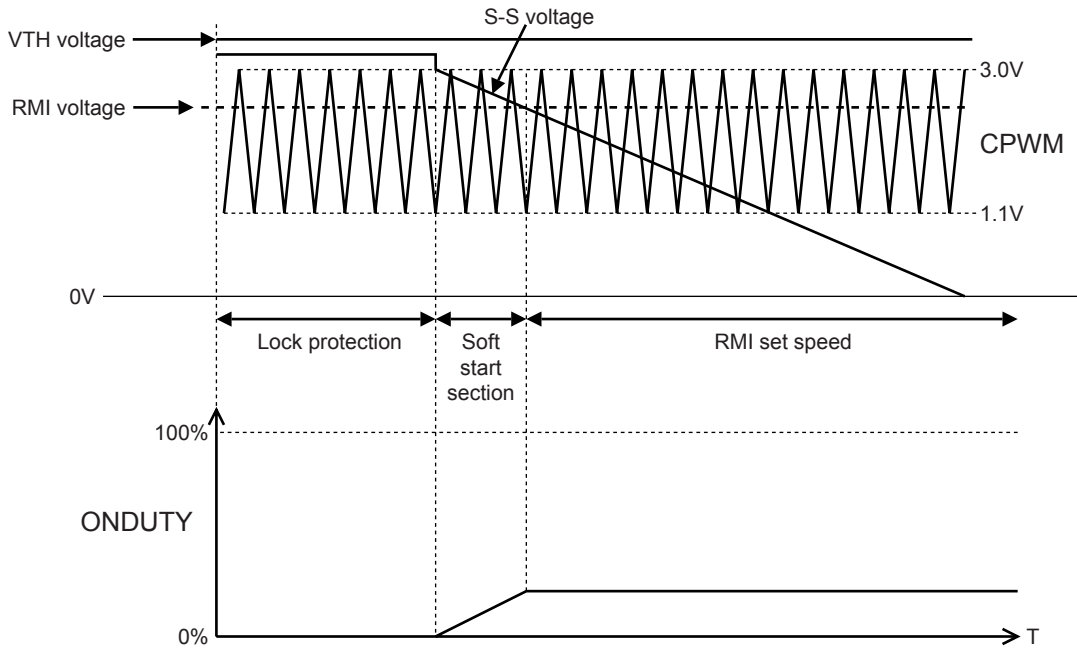
The full speed mode becomes effective when the VTH voltage is 1.1V or less. (Set VTH = GND when the speed control is not to be made.)

Control timing chart (Soft start)

(1) At $V_{TH} < RMI$ voltage



(2) At $V_{TH} > RMI$ voltage



Adjust the S-S pin voltage gradient by means of the capacitance of the capacitor between the S-S pin and 5VREG.
 Recommended capacitor: 0.1 μ F to 1 μ F

- SANYO Semiconductor Co.,Ltd. assumes no responsibility for equipment failures that result from using products at values that exceed, even momentarily, rated values (such as maximum ratings, operating condition ranges, or other parameters) listed in products specifications of any and all SANYO Semiconductor Co.,Ltd. products described or contained herein.
- SANYO Semiconductor Co.,Ltd. strives to supply high-quality high-reliability products, however, any and all semiconductor products fail or malfunction with some probability. It is possible that these probabilistic failures or malfunction could give rise to accidents or events that could endanger human lives, trouble that could give rise to smoke or fire, or accidents that could cause damage to other property. When designing equipment, adopt safety measures so that these kinds of accidents or events cannot occur. Such measures include but are not limited to protective circuits and error prevention circuits for safe design, redundant design, and structural design.
- In the event that any or all SANYO Semiconductor Co.,Ltd. products described or contained herein are controlled under any of applicable local export control laws and regulations, such products may require the export license from the authorities concerned in accordance with the above law.
- No part of this publication may be reproduced or transmitted in any form or by any means, electronic or mechanical, including photocopying and recording, or any information storage or retrieval system, or otherwise, without the prior written consent of SANYO Semiconductor Co.,Ltd.
- Any and all information described or contained herein are subject to change without notice due to product/technology improvement, etc. When designing equipment, refer to the "Delivery Specification" for the SANYO Semiconductor Co.,Ltd. product that you intend to use.
- Information (including circuit diagrams and circuit parameters) herein is for example only; it is not guaranteed for volume production.
- Upon using the technical information or products described herein, neither warranty nor license shall be granted with regard to intellectual property rights or any other rights of SANYO Semiconductor Co.,Ltd. or any third party. SANYO Semiconductor Co.,Ltd. shall not be liable for any claim or suits with regard to a third party's intellectual property rights which has resulted from the use of the technical information and products mentioned above.

This catalog provides information as of January, 2011. Specifications and information herein are subject to change without notice.