



10W Medical Grade Adapter with Interchangeable Plugs*



*Plugs sold separately

Features

- Meets DoE Level V/ CoC V Tier 2
- Field Changeable AC Plugs
- IEC60601-1:2005+a:2012 2xMOPP approved
- IEC60601-1-2 Ed4 2014 compliant
- Meets type BF requirements
- LPS compliant
- OVP, OCP, SCP, OTP, brown-in and brown-out protections

Applications

- Home healthcare equipment
- Patient monitor
- Blood pressure system
- Portable medical devices
- ECG machine
- Respirator
- Beauty care electronics

Safety Approvals

- UL 60601-1
- CE
- IEC 60601-1

Mechanical Characteristics

- Length: 50mm (1.97in)
- Width: 71.7mm (2.82in)
- Height: 40mm (1.57in)

Output Specifications

Model	DC Output Voltage	Load		Ripple ⁽¹⁾ P-P (max.)	Regulation Line & Load	Case Color
		Min.	Max.			
PMA10R-050AW	5V	0A	2A	100mV	±5%	White

(1) Test by 20Mhz bandwidth mode hi resolution with 10uF and 0.1uF capacitor

Phihong is not responsible for any error, and reserves the right to make changes without notice. Please visit our website at www.phihong.com for the most up-to-date specifications and contact information.

Input:**AC Input Voltage Rating**

100 to 240V AC

AC Input Voltage Range

90 to 264V AC

AC Input Frequency

47 to 63Hz

Input Current

0.3A max at 100VAC

Leakage Current

<100uA at 264VAC/50Hz

Inrush Current60A maximum at 240V AC
(Cold start & at input rated voltage +/-10%)**Output:****Efficiency**

DOE Level VI and CoC V5 tier 2

Environmental:**Temperature**

Operation	5°C to +40°C
Non-operation	-25°C to +70°C
Relative Humidity	93% RH Max

Emissions

FCC Class B
 EN55022 Class B
 IEC 61000-3-2
 IEC61000-3-3

Immunity

ESD:	EN 61000-4-2
RS :	EN61000-4-3
EFT/Burst :	EN61000-4-4
Surge:	EN 61000-4-5
CS :	EN61000-4-6
Power Frequency Magnetic Field:	EN61000-4-8
Voltage Dips :	EN61000-4-11

Over-Voltage Protection

9V maximum

Short-Circuit Protection

The power supply shall be protected when operating any output in overload condition, or when operating any output in a short. The power supply shall be self-recovering when the fault condition is removed circuit condition.

Over-Current Protection

The power supply will be protected when output power at 2.3A(RMS) of all rated dc output

Over-Temperature Protection

Over-temperature protection sensor

Dielectric Withstand (Hi-pot) Test

Pri. to Sec. >4392VAC 10mA for 1 Minute

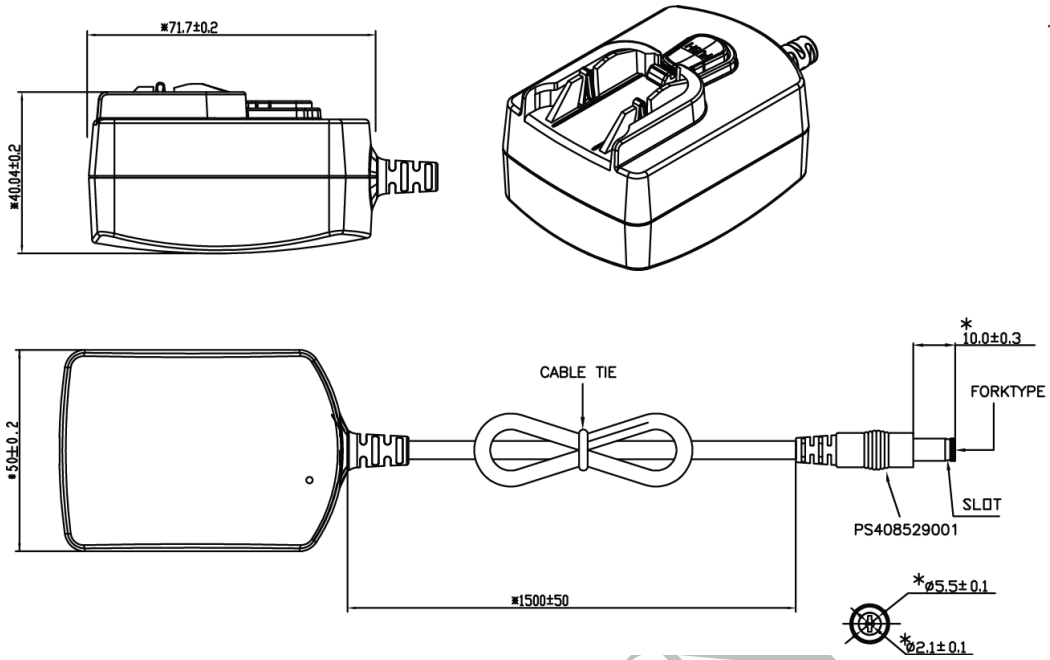
DC Output Connector

DC plug type 5.5 x 2.1 x 10mm (fork & groove)
 DC plug pin assignment: Inner (+V), Outer GND(-)

Medical AC Input Clips (sold separately)

Part no:	Description:
RPA-MAB1W	US – white
RPB- MAB1W	Brazil – white
RPE- MAB1W	Euro – white
RPH- MAB1W	Korea – white
RPK- MAB1W	UK – white
RPN-MAT1W	Argentina – white
RPS- MAB1W	AU – white

Dimension Diagram Unit: mm (inch)



PRELIMINARY