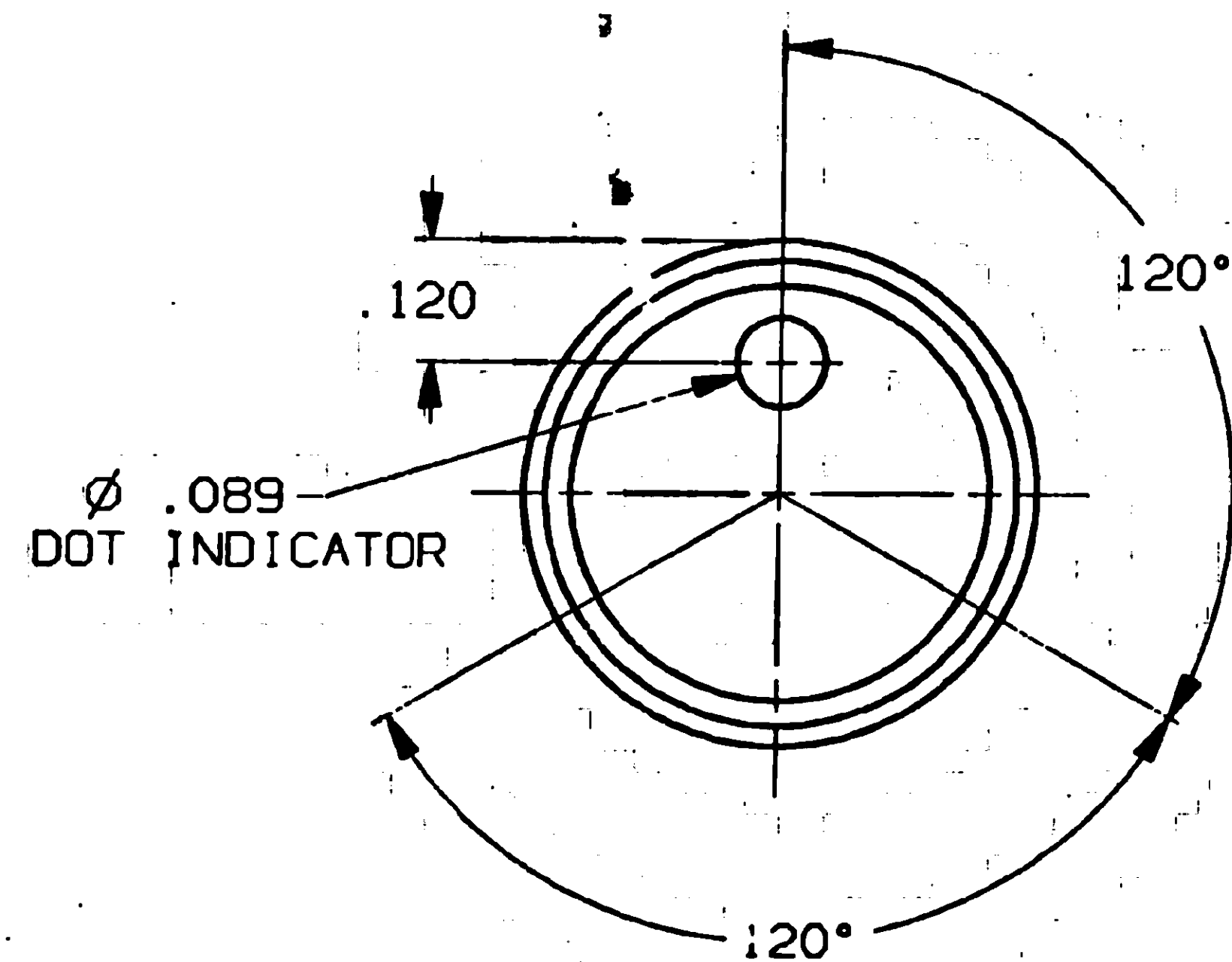


CONVERSION CHART

INCH	MM
.012	0.30
.020	0.51
.025	0.64
.089	2.26
.120	3.05
.126	3.21
.129	3.27
.150	3.81
.157	3.99
.251	6.38
.254	6.45
.256	6.50
.382	9.70
.500	12.70
.512	13.00
.625	15.88
.630	16.00
.740	18.80
.787	19.99
.937	23.80
1.062	26.97
1.250	31.75



MODEL NO.	A DIA.	B DIA.	C DIA.
KE-500AB-1/8	.500	.126/.129	.382
KE-500AB-1/4	.500	.251/.254	.382
KE-700AB-1/4	.740	.251/.254	.630
KE-900AB-1/4	.937	.251/.254	.787
KE-1250AB-1/4	1.250	.251/.254	1.062

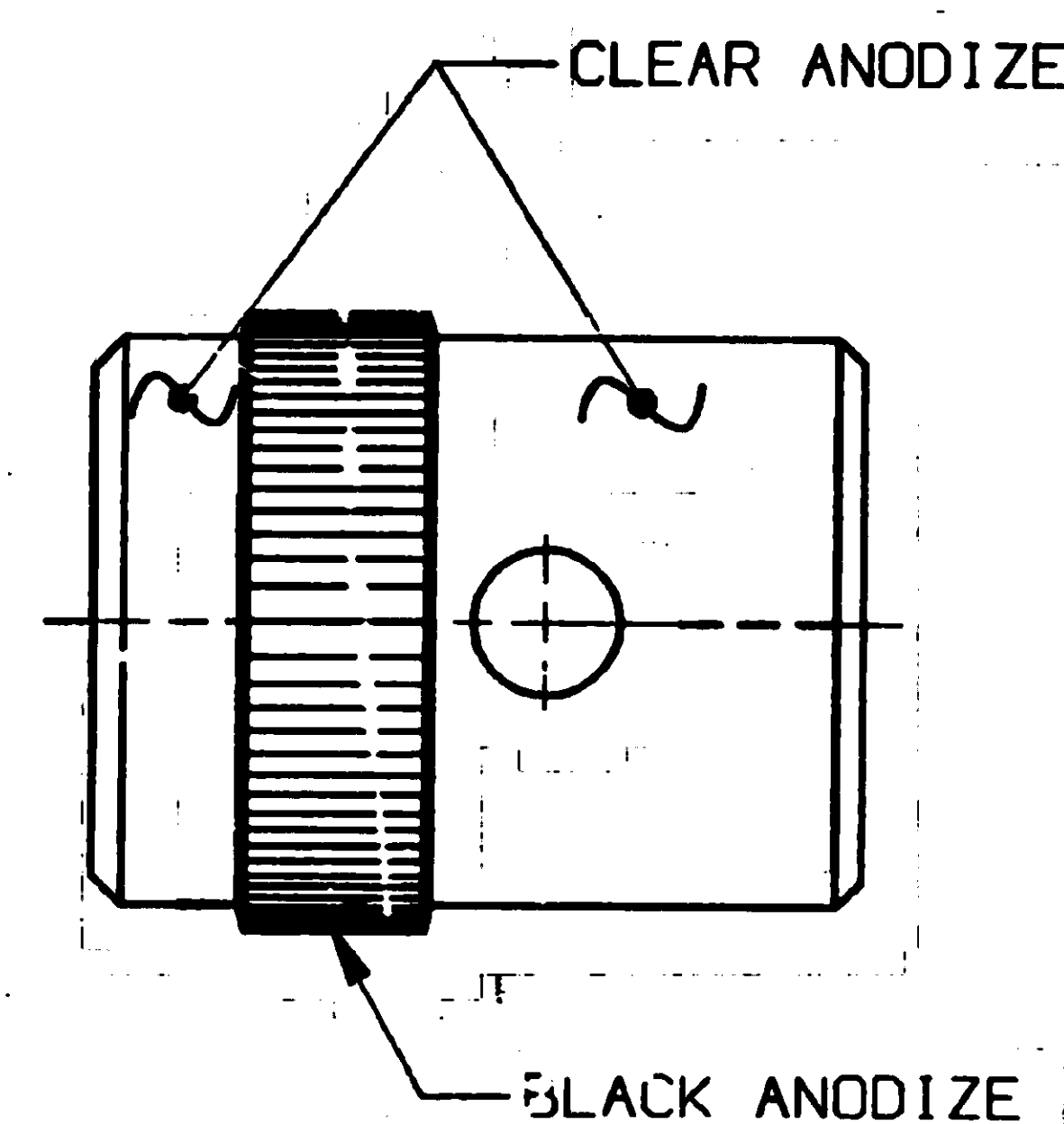
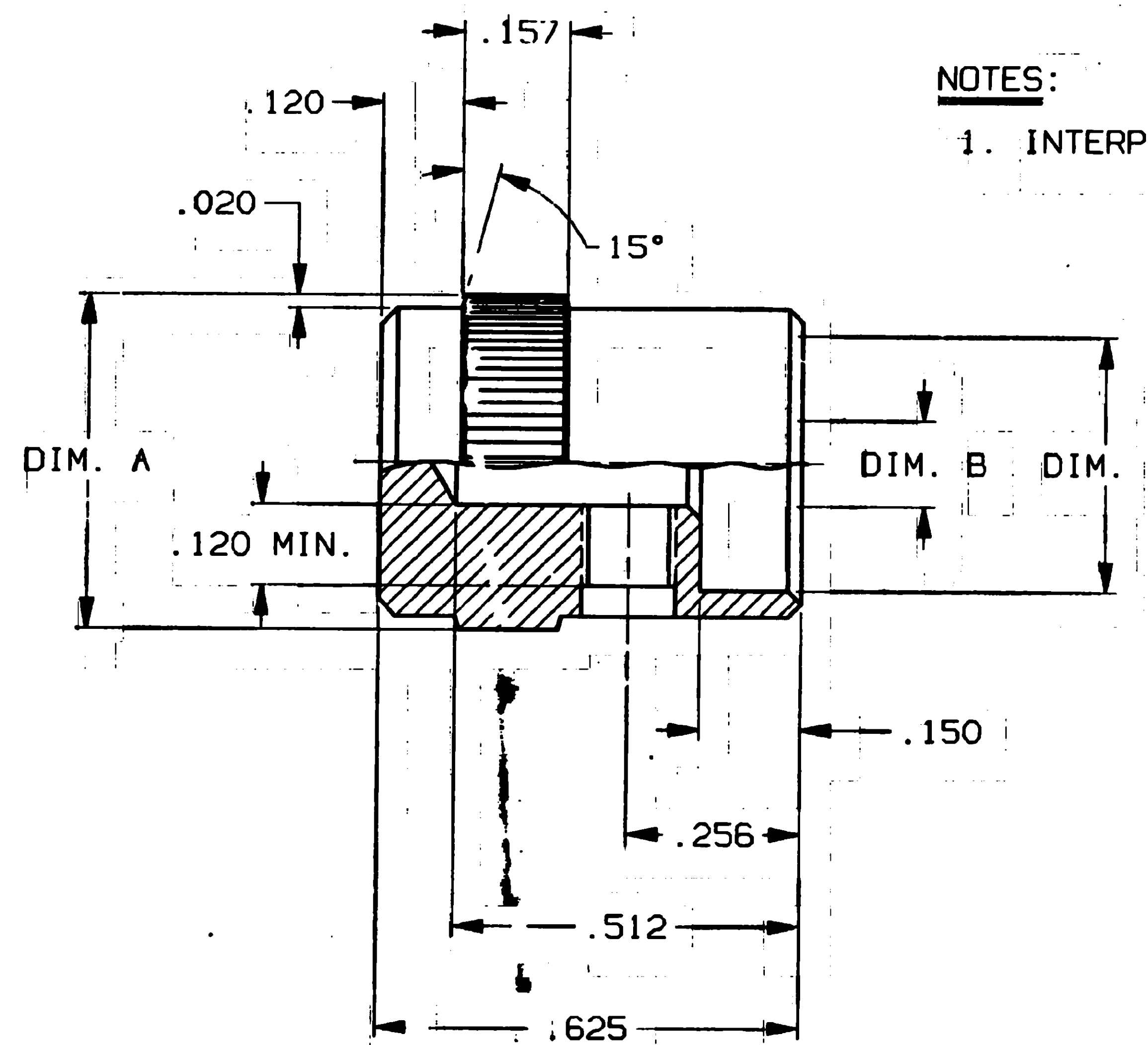
KE-500AB-1/8 AS SHOWN

SPECIFICATIONS:

MATERIALS: ALUMINUM
 FINISH: ANODIZED
 SET SCREW: #6-32 UNC-2A
 STAINLESS STEEL

NOTES:

1. INTERPRET DRAWING PER ASME Y14.5M 1994.



OUTLINE DRAWING
 SPECIFICATIONS ARE SUBJECT TO CHANGES WITHOUT NOTICE

THIS IS A C.A.D. GENERATED DRAWING.
 DO NOT MAKE MANUAL REVISIONS TO MASTER.

REV	DESCRIPTION
0	INITIAL RELEASE ESR#A6989 SEK 10-13-95 APP'D: [Signature]

TOLERANCES (EXCEPT AS NOTED)
 ANGULAR = ±.01 (NON-CUMULATIVE)
 DECIMAL .XX
 DECIMAL .XXX
 DECIMAL .XXXX

UNLESS OTHERWISE SPECIFIED
 DIMENSIONS ARE IN INCHES
 DO NOT SCALE PRINT

FILE NAME: [Blank] DIRECTORY: [Blank]
 DRAWN: S. KIRCORIAN DATE: 10-13-95
 CHECKED: [Blank] DATE: [Blank]
 APPROVED: [Signature] DATE: 10-30-95
 CODE IDENT. NO. 91506
 NEXT ASSY: [Blank]

UNLESS OTHERWISE SPECIFIED
 DIMENSIONS ARE IN INCHES
 DO NOT SCALE PRINT

MATERIAL: [Blank]
 FINISH: [Blank]

SEE SPECIFICATIONS

PROPERTY OF AUGAT CORPORATION
 THIS DOCUMENT CONTAINS INFORMATION WHICH IS THE EXCLUSIVE PROPERTY OF AUGAT INC.
 DISTRIBUTION, REPRODUCTION OR USE BY OTHERS IS NOT PERMITTED WITHOUT THE EXPRESSED WRITTEN CONSENT OF AUGAT INC.

ORIGINAL DATE OF DRAWING: 10-13-95
 DRAWN: S. KIRCORIAN DATE: 10-13-95
 CHECKED: [Blank] DATE: [Blank]
 APPROVED: [Signature] DATE: 10-30-95
 CODE IDENT. NO. 91506
 NEXT ASSY: [Blank]

AUGAT CORPORATION
 JOHN DIETSCH BLVD.
 LEBORO FALLS, MASS. 02763

TITLE: **OUTLINE DRAWING**
 ALUMINUM KNOB
 DUAL ANODIZED

QWC NO. 80053
 PRODUCT CODE: M11
 SCALE: [Blank] SHEET 1 OF 1