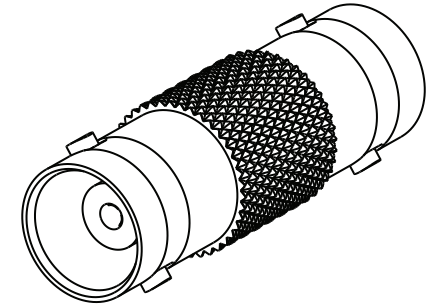


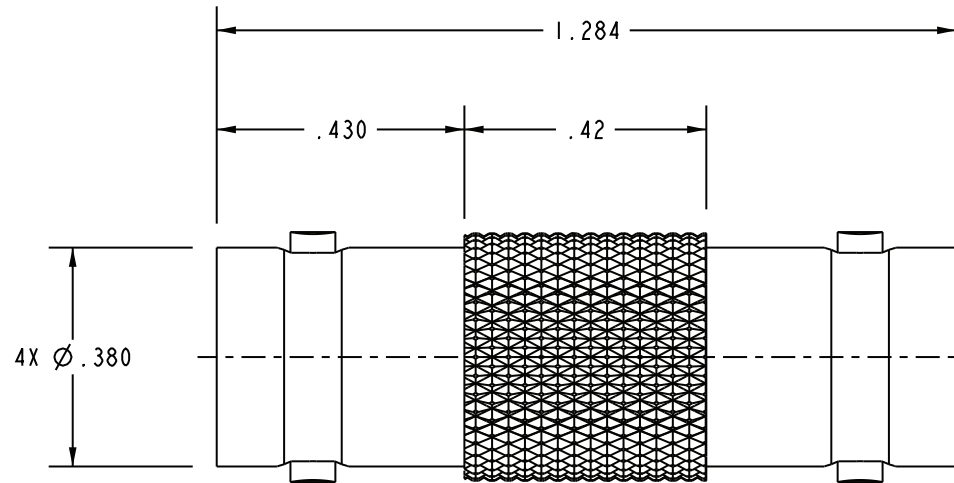
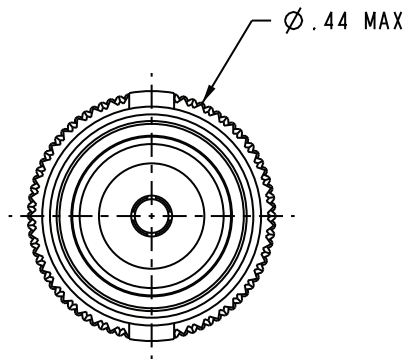
| | |
|--------------|----------|
| MODEL NUMBER | Ω |
| AD228 | 50 |
| UAD228 | 75 |

DATA CONTAINED IN THIS DOCUMENT IS PROPRIETARY TO EMERSON CONNECTIVITY SOLUTIONS AND SHALL NOT BE DISCLOSED, COPIED OR USED FOR PROCUREMENT OR MANUFACTURE WITHOUT EXPRESS WRITTEN PERMISSION

| REVISIONS | | | |
|-----------|-----------------------|---------|----------|
| REV | DESCRIPTIONS | DATE | APPROVED |
| C | REVISED PER ECO 16820 | 9/16/09 | LM |



SCALE 2/1



2. WITHIN SERIES FEMALE BNC FEEDTHRU ADAPTER, 50 Ω AND 75 Ω VERSIONS

1. FINISH: TFS-1A (NICKEL)

NOTES: UNLESS OTHERWISE SPECIFIED.

INTERPRET DRAWING PER MIL-STD-100. DIMENSIONS ARE IN INCHES AND INCLUDE FINISH THICKNESS UNLESS OTHERWISE SPECIFIED.

TOL: UNLESS SPECIFIED.
 .XX \pm .02
 .XXX \pm .010
 ANGLE \pm 1°



Cinch Connectivity Solutions
 299 Johnson Ave. Ste. 100
 Waseca, MN 56093
 1-800-247-8256

DRN W. JOHNSON 12/8/08

CHK LM 9/15/09

QUALITY

MANUF

APPROVED

PROJ TITLE NO. 1-0623

MATERIAL:

FINISH:

DO NOT SCALE DWG

SCALE 3/1

DATE 4/11/02

SHEET 1 OF 2

TITLE: U/AD228

SIZE A CAGE CODE 14949 DRAWING NO. 1-0623 REV. C

DATE 4/11/02

SCALE 3/1

DATE 4/11/02

SHEET 1 OF 2