

MODEL NUMBER
ADT-2681-NM-SMF-02

NOTES:

1.0 MATERIALS:

- 1.1 HOUSING & NUT: STAINLESS STEEL PER ASTM-A582, TYPE 303.
- 1.2 CENTER CONTACT: BERYLLIUM COPPER ROD ALLOY C172, PER ASTM-B196.
- 1.3 DIELECTRIC: PTFE FLUOROCARBON PER ASTM-D1457.

2.0 PLATING:

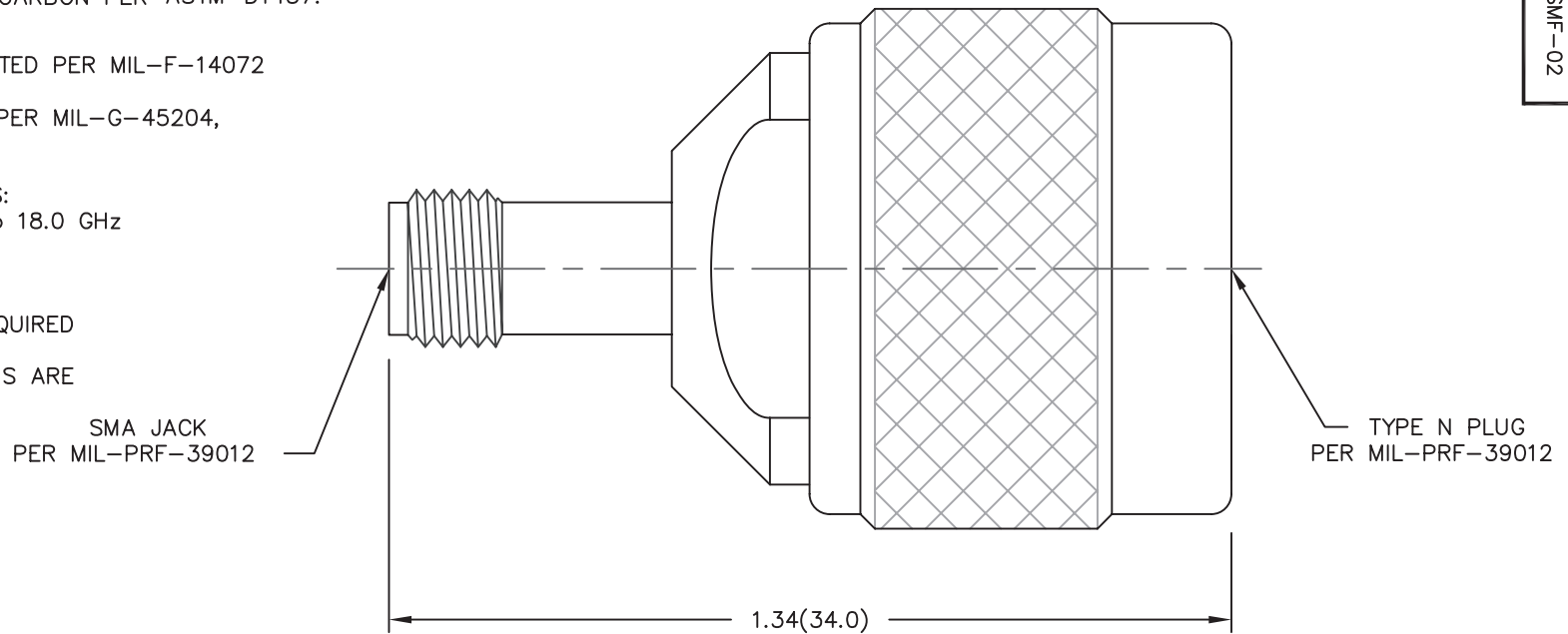
- 2.1 HOUSING & NUT: PASSIVATED PER MIL-F-14072 AND QQ-P-35
- 2.2 CENTER CONTACT: GOLD PER MIL-G-45204, TYPE II, CLASS 2.

3.0 ELECTRICAL SPECIFICATIONS:

- 3.1 FREQUENCY RANGE: DC to 18.0 GHz
- 3.2 VSWR: 1.25:1 MAX.
- 3.3 IMPEDANCE: 50 OHMS

4.0 MARKING: NO MARKING REQUIRED

5.0 DIMENSIONS IN PARENTHESIS ARE IN MILLIMETERS.




DWG NO. WAS: 04049-01-00

| REV. | DESCRIPTION | DATE |
|------|------------------|----------|
| - | RELEASED | 11/19/92 |
| A | ECR 1749 | 10/12/82 |
| B | ECR 6545 | 7/10/88 |
| C | ECR 6933 | 4/25/90 |
| CI | UPDATE MODEL NO | 2/21/91 |
| D | REDRAW ON CAD | 11/16/92 |
| DI | ADDED TITLEBLOCK | 3/15/05 |

NOTICE: The information contained in this drawing is proprietary and must not be used without the permission of Cinch Connectivity Solutions.

UNLESS OTHERWISE NOTED DIMENSIONS ARE IN INCHES AND TOLERANCES ARE:
 3 PLACE DECIMALS ±.005
 2 PLACE DECIMALS ±.02
 FRACTIONS ±1/64
 PARALLELITY: T.I.R. _____
 FLATNESS: T.I.R. _____
 CONCENTRICITY: T.I.R. _____
 ANGLES AND PERPENDICULARITY: ±1'

| | | | |
|---|---------------------------------|--|------------|
| CAGE CODE 34078 | | MIDWEST MICROWAVE | |
|  | | TITLE ADAPTER TYPE N MALE TO SMA FEMALE OUTLINE DRAWING | |
| | | DRAWING NUMBER ADT-2681-NM-SMF-02-01 | REV. D1 |
| DRAWN/DATE A.BEATTY 11/16/92 | ENG./DATE A.OSGA 11/19/92 | SCALE: 5=1 | |
| CHECKED/DATE M.HOLLMAN 11/17/92 | APPROVED/DATE | SHEET 1 of 1 | |