

## Broadband powerline communication SoC optimized for audio/video streaming and consumer applications

Datasheet - production data



- Master/slave SSI
- Two independent UARTs
- Fast IrDA<sup>®</sup>
- Real-time clock
- Configurable serial port (SPORT) interface for external DSP and audio codec (ADC and DAC) in I<sup>2</sup>S mode
- Transport stream interface (video TS)
- Vectored interrupt controller (VIC)
- JTAG (IEEE1149.1) interface
- Three CPU instruction sets

### Features

- Configurable HW engine for multiple HomePlug<sup>®</sup> PHY and real-time MAC layers processing supporting:
  - HomePlug AV and 1.0 standards
  - HomePlug Green PHY<sup>™</sup> standard
- Integrated analog front-end
- ARM926EJ-S<sup>™</sup> 32-bit RISC CPU up to 333 MHz
- 8/16 bit DDR mobile at 166 MHz and DDR2 at 333 MHz memory controller
- Serial memory interface
- 8/16-bits NOR Flash/NAND Flash and SRAM memories controllers
- Multichannel DMA controller
- Ethernet 10/100 MAC with MII interface
- USB 2.0
- PCI Express and S-ATA
- Color LCD (CLCD) controller
- JPEG codec accelerator
- Cryptographic coprocessor
- Up to 40 GPIOs
- Enhanced I<sup>2</sup>S (digital audio interface)
- I<sup>2</sup>C master/slave mode

### Applications

The SStreamPlug ST2100 is configurable for a wide range of consumer and industrial<sup>(a)</sup> powerline applications such as:

- Smart gateway
- Powerline communication bridging, including wireless
- Smart grid
- Electric vehicle charging station<sup>(a)</sup>
- In house audio/video distribution
- Video surveillance
- Home automation
- “Network Area Storage” (NAS)
- Display panels control

**Table 1. Device summary**

| Order code | Operating temp. range | Package                              | Packing             |
|------------|-----------------------|--------------------------------------|---------------------|
| ST2100     | -40 to +85 °C         | TFBGA 12 x 12 x 1.2 mm, pitch 0.5 mm | Tray, tape and reel |

a. Not intended for automotive usage .

# Contents

|          |                                         |           |
|----------|-----------------------------------------|-----------|
| <b>1</b> | <b>Description</b> .....                | <b>6</b>  |
| <b>2</b> | <b>Main features</b> .....              | <b>7</b>  |
| <b>3</b> | <b>Architecture description</b> .....   | <b>9</b>  |
| 3.1      | CPU subsystem .....                     | 10        |
| 3.2      | System bus .....                        | 10        |
| 3.3      | Memory subsystem .....                  | 11        |
| 3.4      | Expi subsystem .....                    | 11        |
| 3.5      | Basic subsystem .....                   | 11        |
| 3.6      | High-speed connectivity subsystem ..... | 12        |
| 3.7      | Low-speed connectivity subsystem .....  | 12        |
| 3.8      | Application subsystem .....             | 13        |
| 3.9      | Clock and reset system .....            | 13        |
| <b>4</b> | <b>Pin descriptions</b> .....           | <b>14</b> |
| 4.1      | Dedicated pins .....                    | 14        |
| 4.2      | Shared I/O pins (MFIOs) .....           | 22        |
| 4.3      | Required external components .....      | 27        |
| <b>5</b> | <b>Memory map</b> .....                 | <b>28</b> |
| <b>6</b> | <b>Clocking parameters</b> .....        | <b>30</b> |
| 6.1      | Master clock (MCLK) .....               | 30        |
| 6.2      | Real-time clock (RTC) .....             | 31        |
| 6.3      | PCIe/SATA clock .....                   | 31        |
| <b>7</b> | <b>Electrical characteristics</b> ..... | <b>32</b> |
| 7.1      | Absolute maximum ratings .....          | 32        |
| 7.2      | Power consumption .....                 | 32        |
| 7.3      | DC electrical characteristics .....     | 33        |
| 7.4      | Power-up and reset sequence .....       | 34        |
| 7.5      | Internal 2.5 V linear regulator .....   | 34        |

---

|          |                                                      |           |
|----------|------------------------------------------------------|-----------|
| <b>8</b> | <b>Package information</b> .....                     | <b>35</b> |
|          | 8.1 TFBGA 12 x 12 x 1.2 mm package information ..... | 35        |
| <b>9</b> | <b>Revision history</b> .....                        | <b>37</b> |

## List of tables

|           |                                                                                                                   |    |
|-----------|-------------------------------------------------------------------------------------------------------------------|----|
| Table 1.  | Device summary . . . . .                                                                                          | 1  |
| Table 2.  | System bus connectivity . . . . .                                                                                 | 10 |
| Table 3.  | Key to system bus connectivity matrix . . . . .                                                                   | 10 |
| Table 4.  | Master clock RTC, RESET and 3.3 V comparator pin descriptions . . . . .                                           | 14 |
| Table 5.  | Power supply pin descriptions . . . . .                                                                           | 14 |
| Table 6.  | Debug pin descriptions . . . . .                                                                                  | 17 |
| Table 7.  | Boot source descriptions . . . . .                                                                                | 17 |
| Table 8.  | Boot source selection . . . . .                                                                                   | 18 |
| Table 9.  | SMI pin descriptions . . . . .                                                                                    | 18 |
| Table 10. | USB Pin descriptions . . . . .                                                                                    | 18 |
| Table 11. | PCIe / SATA pin descriptions . . . . .                                                                            | 19 |
| Table 12. | Internal AFE pin descriptions . . . . .                                                                           | 19 |
| Table 13. | AC crossing pin descriptions . . . . .                                                                            | 19 |
| Table 14. | External PLI pin description . . . . .                                                                            | 19 |
| Table 15. | DDR pin descriptions . . . . .                                                                                    | 20 |
| Table 16. | MFIO pin descriptions . . . . .                                                                                   | 23 |
| Table 17. | Memory map description . . . . .                                                                                  | 28 |
| Table 18. | EXPI clock characteristics . . . . .                                                                              | 31 |
| Table 19. | Absolute maximum rating . . . . .                                                                                 | 32 |
| Table 20. | Power consumption . . . . .                                                                                       | 32 |
| Table 21. | Power consumption using 2.5 V internal LDO . . . . .                                                              | 33 |
| Table 22. | Recommended operating conditions . . . . .                                                                        | 33 |
| Table 23. | Thermal recommended ratings . . . . .                                                                             | 33 |
| Table 24. | Internal 2.5 V voltage regulator specifications . . . . .                                                         | 34 |
| Table 25. | TFBGA 12 x 12 x 1.2 mm, 324 + 49 balls, 4R23 x 23, pitch 0.5 mm,<br>ball 0.3 mm package mechanical data . . . . . | 36 |
| Table 26. | TFGBA package thermal characteristics . . . . .                                                                   | 36 |
| Table 27. | Document revision history . . . . .                                                                               | 37 |

## List of figures

Figure 1. STreamPlug ST2100 functional block diagram ..... 9

Figure 2. MIFO 0-87 muxing scheme ..... 22

Figure 3. MFIO 88-103 muxing scheme ..... 22

Figure 4. MCLK crystal connections ..... 30

Figure 5. RTC crystal connection..... 31

Figure 6. Power-up and reset sequence ..... 34

Figure 7. TFBGA 12 x 12 x 1.2 mm, 324 + 49 balls, 4R23 x 23, pitch 0.5 mm,  
ball 0.3 mm package outline ..... 35

# 1 Description

The SStreamPlug ST2100 device is the STMicroelectronics® “Broad Band Powerline Communication” (BB PLC) solution, based on the powerful ARM926EJ-S™ processor (up to 333 MHz), widely used in applications where high computation performance is required, such as consumer (“Home Area Network” or HAN), industrial and smart grid applications.

In addition, the SStreamPlug ST2100 has a memory management unit (MMU) that allows virtual memory management - making the system compliant with the Linux® operating system. It also offers 16 Kbyte of data cache, 32 Kbyte of instruction cache, JTAG and ETM™ (Embedded Trace Macrocell™ ) for debug operations.

A large set of peripherals allows a wide flexibility of the usage of the system in most of the possible PLC broadband applications (indoor and outdoor).

## 2 Main features

- Configurable hardware engine for multiple HomePlug PHY and real-time MAC layers
  - HomePlug™ AV and 1.0 standards
  - HomePlug Green PHY standard
- Integrated analog front-end
  - Programmable gain amplifier: gain range -12 dB to 48 dB
  - ADC and DAC
  - 2.5 V voltage regulator
  - Zero crossing (ZC) comparator
- ARM926EJ-S™ 32-bit RISC CPU up to 333 MHz
  - 16 Kbyte if instruction cache, 16 Kbyte of data cache
  - 32 Kbyte of instruction TCM and 16 Kbyte of data TCM
  - Three instruction sets: 32-bit for high performance, 16-bit (Thumb®) for efficient code density, bytecode Java™ mode (Jazelle™) for direct execution of Java code
  - AMBA™ bus interface with  $f_{MAX}$  166 MHz
- 48 Kbyte on-chip boot ROM
- 8 Kbyte on-chip SRAM
- 8/16 bit DDR mobile at 166 MHz and DDR2 at 333 MHz memory controller
- Serial memory interface
- 8/16-bits NOR Flash/NAND Flash and SRAM memory controller
- Boot capability from NAND Flash, serial/parallel NOR Flash, and UART
- Multichannel DMA controller (8 FIFOs and 16 dedicated channels)
- Ethernet 10/100 MAC with MII interface (IEEE 802.3), RevMII, IEEE 802.1-AS and 802.1-Qav for audio video (AV) traffic
- USB 2.0 (high-full-low speed) port with an integrated PHY able to work as a host or device
- PCI Express GEN1 (PCI Express standard version 1.1), single lane X1 dual mode (both “Root Complex” and “Endpoint” modes supported), the PHY is a standard 8-bit/16-bit PIPE PHY interface. This peripheral supports also the serial ATA compliant with the SATA/150.
- Color LCD controller (up to 1024 x 768 resolution at 24 bpp true color, STN/TFT display panels)
- JPEG codec accelerator (1 clock/pixel)
- Cryptographic coprocessor (DMA based programmable engine) with support for:
  - Advanced encryption standard (AES) cipher (128, 192, 256 bit keys) in ECB, CBC, CTR modes
  - Data encryption standard (DES) and triple DES (TDES) cipher in ECB and CBC modes
  - SHA-1, HMAC-SHA-1, SHA-256, HMAC-SHA-256, MD5, HMAC-MD5 digests
- Up to 40 GPIOs (multiplexed with peripheral I/Os), all the I/Os have interrupt capability, 24 application specific GPIOs: four I/Os support PWM and four I/Os support double PWM features.

- Enhanced I<sup>2</sup>S for 4-channel “Digital Audio Interface” (DAI)
- Master/slave SSP (Motorola SPI, Texas Instruments, National Semiconductor protocols) up to 5 Mbits/s in slave mode and up to 20 Mbits/s in master mode
- I<sup>2</sup>C master/slave mode
- Two independent UARTs supporting hardware (HW) flow control
- Fast IrDA (SIR/MIR/FIR)
- Three pairs of 16-bit general purpose timers with programmable 8-bit prescaler
- Real-time clock (RTC)
- Configurable serial port (SPORT) interface for external DSP and audio codec (ADC and DAC in I<sup>2</sup>S mode)
- Transport stream interface (Video TS also called “Synchronous peripheral bus”) for external MPEG- 2/H.264 encoder and decoder. TS port also implements image sensor interface (CCD camera)
- Watchdog timer
- Clock synthesizer (4 outputs)
- Vectored interrupt controller (VIC)
- JTAG (IEEE1149.1) interface
- ETM9 interface
- Multichannel cryptographic coprocessor. DES/TDES and AES security for the powerline link
- PGC (IR) interface
- Supply voltages: 1.2 V core, 1.8 V / 2.5 V DDR, 2.5 V AFE and PLLs, 1.5 V RTC and 3.3 V I/Os
- Available in a TFBGA373 package (12 x 12 x 1.2 mm, pitch 0.5 mm).



### 3 Architecture description

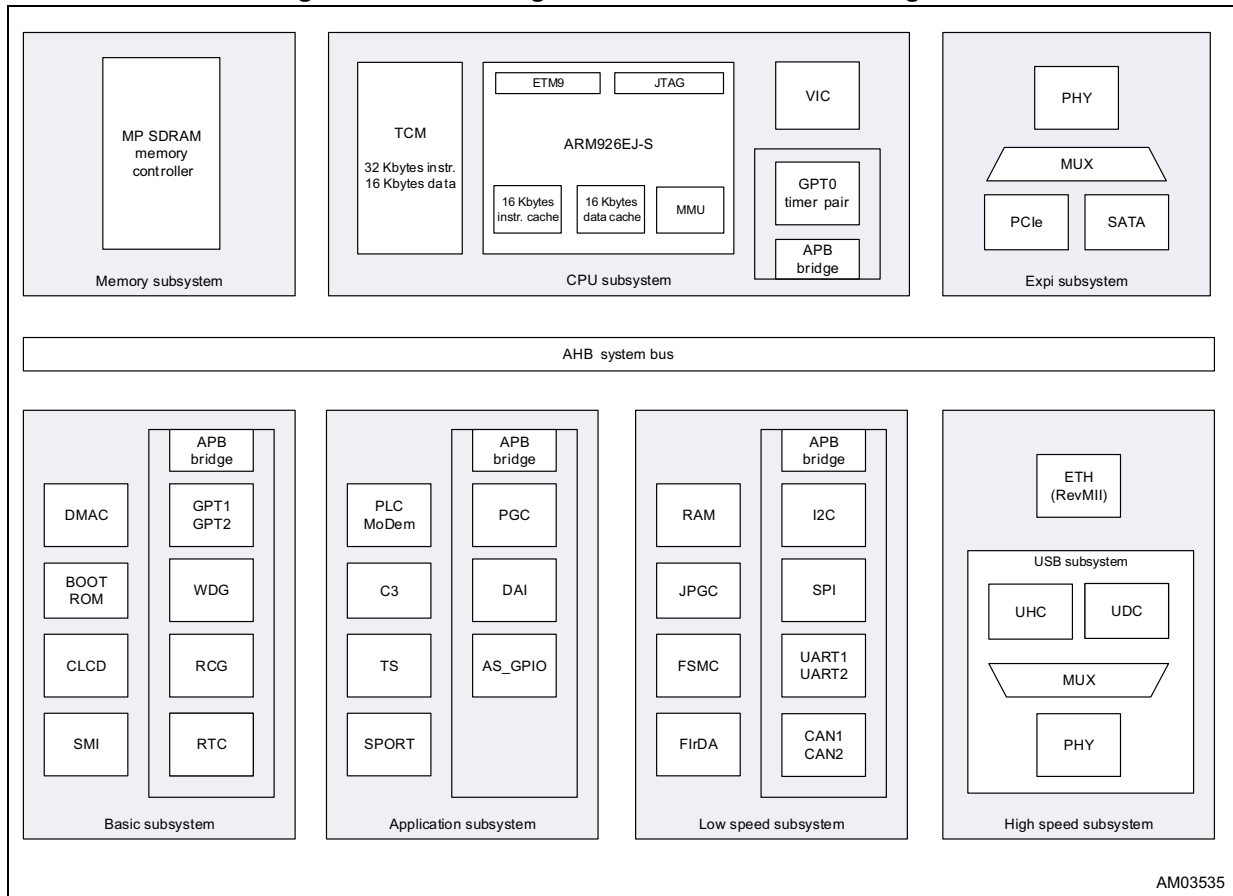
Figure 1 is the architecture overview of the SStreamPlug ST2100.

The internal architecture is based on several shared subsystems interconnected through a multilayer system bus.

The bus structure allows different subsystem data flows to be executed in parallel improving the core platform efficiency.

High performance master agents are directly interconnected with the memory controller reducing the memory access latency.

Figure 1. SStreamPlug ST2100 functional block diagram



### 3.1 CPU subsystem

- ARM926EJ-S™ running at 333 MHz with:
  - MMU
  - 16 Kbyte of instruction cache
  - 16 Kbyte of data cache
  - 32 Kbyte of instruction “Tightly Coupled Memory” (TCM)
  - 16 Kbyte of data “Tightly Coupled Memory” (TCM)
  - AMBA bus interface
  - JTAG
  - ETM9 (Embedded Trace Macrocell) for debug, medium size version
- Interrupt controller managing sources which are prioritized and vectorized

### 3.2 System bus

The system bus structure allows different subsystem data flows to be executed in parallel improving the core platform efficiency.

High performance master agents are directly interconnected with the memory controller reducing the memory access latency. The overall memory bandwidth assigned to each master port can be programmed and optimized through an internal efficient weighted round-robin arbitration mechanism.

Table 2 shows the system bus scheme and Table 3 is the key to its contents.

**Table 2. System bus connectivity**

|                                  |             | CPU | PCIe/SATA | DMA 1 | DMA 2 | Eth. | TS/SPORT | UHC/JDC | PLC modem | Crypto | CLCD |
|----------------------------------|-------------|-----|-----------|-------|-------|------|----------|---------|-----------|--------|------|
| <b>Targets<br/>(slave ports)</b> | MP SDRAM    | X   | X         | X     | X     | X    | X        | X       | X         | X      | X    |
|                                  | Low speed   | X   | X         | X     |       |      |          |         |           |        |      |
|                                  | Application | X   | X         |       | X     |      |          |         |           |        |      |
|                                  | Basic       | X   | X         |       |       |      |          |         |           |        |      |
|                                  | High speed  | X   | X         |       |       |      |          |         |           |        |      |
|                                  | Expi        | X   |           |       | X     |      |          |         |           |        |      |

**Table 3. Key to system bus connectivity matrix**

| Format   | Definition                                        |
|----------|---------------------------------------------------|
| Grey box | No connection exists between target and initiator |
| X        | A connection exists between target and initiator  |

### 3.3 Memory subsystem

The multiport memory controller within the memory subsystem manages DDR mobile up to 166 MHz and DDR2 up to 333 MHz external memory. Internally, it handles 5 ports supporting all the chip master ports.

The multiport memory controller block has a programmable arbitration scheme and the transactions happen on a different layer from the main bus. It also offers a local FIFO to increase the throughput and reduce the latency.

### 3.4 Expi subsystem

- PCI Express Gen1 (PCI Express standard version 1.1) single lane X1 dual mode
  - Root Complex mode is supported.
  - Endpoint mode is supported.
- Serial ATA compliant with SATA/150 specifications
- PHY is standard 8-bit/16-bit PIPE PHY interface

### 3.5 Basic subsystem

- 8 FIFOs and 16 high performance DMA channels with two AHB interfaces to parallelize the activity when two channels are working at the same time.
- 48 Kbytes of ROM (for boot procedure)
- “Serial Memory Interface” (SMI) supporting external serial Flash.
- Color LCD controller (CLCD) up to 1024 x 768 resolution at 24 bpp (true color) supporting STN/TFT display panels
- Three pair of 16 bit general purpose timers with programmable prescaler
- Watchdog timer
- RTC with separate power supply allowing battery connection
- Up to 104 “Multi-Function” I/Os (MFIOs) multiplexed with peripheral I/Os:
  - Allows a large number of possible application scenarios
  - Up to 40 GPIOs with interrupt capability
- System controller, reset and clock generation, and miscellaneous registers array allowing a full configurability of the system.

### 3.6 High-speed connectivity subsystem

- Ethernet 10/100 MAC with MII interface (IEEE 802.3), with external PHY
  - RevMII (supporting 25 and 50 MHz clock frequencies)
  - IEEE 802.1-AS and 802.1-Qav for audio video (AV) traffic
- USB 2.0 (high-full-low speed) port with integrated PHY able to work as a host or device. The PHY is embedded.
  - One USB host controller compatible with USB 2.0 high-speed specification managing a single port. The peripheral has a dedicated channel to the multiport memory controller and a dedicated slave port for CPU programming (OHCI and EHCI).
  - One USB device compatible with USB 2.0 high-speed specifications. A dedicated channel connects the peripheral with the multiport memory controller and registers and an internal FIFO are accessible from the CPU through the main AHB bus. A USB plug detector block is also available to detect the presence of the VBUS voltage.

### 3.7 Low-speed connectivity subsystem

- Two independent UARTs supporting hardware flow control up to 460.8 Kbits/s
- Fast IrDA controller with a speed rate from 9.6 Kbits/s to 4 Mbits/s (SIR/MIR/FIR)
- One synchronous “Serial Port Interface” (SPI) controller capable of operating as a master or a slave (Motorola - Texas Instruments - National Semiconductor) with a speed (data) rate up to 20 Mbits/s
- One I<sup>2</sup>C (also known as a digital audio interface) controller capable of operating in master and slave mode and covering all the possible data rates (high, fast and low)
- JPEG codec accelerator (1 clock per pixel)
- 8 Kbytes of static RAM
- “Flexible Static Memory Controller” (FSMC) supporting:
  - Asynchronous parallel NAND and NOR Flash memories
  - Synchronous and asynchronous SRAM
- Two independent “Controller Area Network” (CAN) interfaces compliant with CAN protocol version 2.0 parts A and B (up to 1 Mbit/s).

### 3.8 Application subsystem

- Configurable hardware engine for multiple HomePlug PHY and real-time MAC layers processing supporting:
  - HomePlug AV and 1.0 standards
  - HomePlug Green PHY standard
- Integrated analog front-end:
  - Programmable gain amplifier: gain range -12 dB to 48 dB
  - ADC and DAC
  - 2.5 V, 150 mA voltage regulator
  - Zero crossing (ZC) comparator
- Cryptographic coprocessor channels (C3), DMA based programmable engine, with support for:
  - Advanced encryption standard (AES) cipher (128-, 192-, 256-bit keys) in ECB, CBC, CTR modes
  - Data encryption standard (DES) and triple DES cipher in ECB and CBC modes
  - SHA-1, HMAC-SHA-1, SHA-256, HMAC-SHA-256, MD5, HMAC-MD5 digests algorithms
- Configurable serial port (SPORT) interface for external DSP and audio codec (ADC and DAC in I<sup>2</sup>S mode)
- Transport stream (TS) interface
- Pulse generator and capture (PGC) (IR) for remote controls
- 4-channel I<sup>2</sup>S [“Digital Audio Interface” (DAI)]
- 24 application specific GPIOs:
  - Up to 4 GPIOs supporting PWM
  - Up to 4 GPIOs supporting double PWM.

### 3.9 Clock and reset system

- The system clocks are generated by:
  - Two fully programmable PLLs. One is used to generate a clock for CPU and AMBA AHB bus and the other is used in case the DDR clock has to be different (asynchronous) with respect to the CPU clock.
  - One “high precision” clock synthesizer with 4 outputs providing different frequencies for the various IPs
- Fully programmable control of the clock and reset signals for all the slave blocks allowing sophisticated power management.

## 4 Pin descriptions

From [Table 4](#) to [Table 15 on page 21](#) and [Table 16](#) in [Section 5 on page 30](#) describe the SStreamPlug ST2100 pinouts.

### 4.1 Dedicated pins

**Table 4. Master clock RTC, RESET and 3.3 V comparator pin descriptions**

| Group        | Signal name        | Ball | Direction | Function                                                 | Pin type                                                |
|--------------|--------------------|------|-----------|----------------------------------------------------------|---------------------------------------------------------|
| Master clock | RCG_MCLK_A         | AB18 | In        | 24 MHz (typical) crystal in                              | Oscillator 2.5 V capable                                |
|              | RCG_MCLK_ZO        | AB19 | Out       | 24 MHz (typical) crystal out                             | Oscillator 2.5 V capable                                |
| RTC          | RTC_TST            | G23  | In        | POR test signal                                          | Keep it at GND                                          |
|              | RTC_ZO             | H22  | Out       | 32 KHz crystal output                                    | Oscillator 1.5 V capable                                |
|              | RTC_A              | H23  | In        | 32 KHz crystal input                                     | Oscillator 1.5 V capable                                |
|              | RTC_SGN            | J23  | In        | POR signal                                               | Keep it floating                                        |
| RESET        | MRESET             | Y13  | In        | Main reset                                               | TTL Schmitt trigger input buffer 3.3 V tolerant with PU |
| 3.3 V comp.  | COMP_3V3_ANAREXT   | A21  | Power     | External resistor for 3.3 V I/Os compensation            | Analog, 3.3 V capable                                   |
|              | COMP_3V3_GNDBGCOMP | A22  | Power     | Return for external resistor for 3.3 V I/Os compensation | -                                                       |

**Table 5. Power supply pin descriptions**

| Group          | Signal name       | Ball                                                                                                                                                                                                         | Value |
|----------------|-------------------|--------------------------------------------------------------------------------------------------------------------------------------------------------------------------------------------------------------|-------|
| DIGITAL GROUND | GND               | A1, A23, D5, D20, J11, J13, K10,K11, K12, K13, K14,K22, L10, L11, L12, L13, L14, L21, M1, M4, M10, M11, M12, M13, M14, M20, N10, N11, N12, N13, N14, P10, P11, P12, P13, P14, R11, R13, R22, AC1, AC23, AB23 | 0 V   |
|                | DVSS_USB          | AB17                                                                                                                                                                                                         |       |
|                | GND_ADC           | V21                                                                                                                                                                                                          |       |
|                | GND_DAC           | T23                                                                                                                                                                                                          |       |
|                | GND_RCG_CLK_SYNTH | AA19                                                                                                                                                                                                         |       |

Table 5. Power supply pin descriptions (continued)

| Group            | Signal name         | Ball                                                                                              | Value |
|------------------|---------------------|---------------------------------------------------------------------------------------------------|-------|
| ANALOG<br>GROUND | GNDE_RTC            | J22                                                                                               | 0 V   |
|                  | VSSA_USB            | AC16                                                                                              | -     |
|                  | VSSA_USB            | AC13                                                                                              | -     |
|                  | VSSAC_USB           | AA15                                                                                              | -     |
|                  | GNDAS_ADC           | W21                                                                                               | -     |
|                  | GND_A_ADC           | W22                                                                                               | -     |
|                  | GND_A1_DAC          | V20                                                                                               | -     |
|                  | GND_A2_DAC          | T22                                                                                               | -     |
|                  | GNDAS_DAC           | U20                                                                                               | -     |
|                  | DAC_MASS_QUIET      | U22                                                                                               | -     |
|                  | GNDE_DAC            | W20                                                                                               | -     |
|                  | GNDE_RCG_MCLK       | AC19                                                                                              | -     |
|                  | AGNDSUB_RCG_MCLK    | Y17                                                                                               | -     |
|                  | AGND_RCG_MCLK       | AA17                                                                                              | -     |
|                  | AGND_PLL1           | Y15                                                                                               | -     |
|                  | AGND_PLL2           | W17                                                                                               | -     |
|                  | GND_A_RCG_CLK_SYNTH | Y20                                                                                               | -     |
|                  | GNDE_REG            | AB22                                                                                              | -     |
|                  | GNDE_PGA            | AB21                                                                                              | -     |
|                  | PCIE_P1_VSSR        | K23                                                                                               | -     |
|                  | PCIE_P1_VSSR        | M23                                                                                               | -     |
|                  | PCIE_P1_VSST        | N23                                                                                               | -     |
| PCIE_VSS_PLL     | P21                 | -                                                                                                 |       |
| PCIE_P1_VSST     | R23                 | -                                                                                                 |       |
| I/O              | VDDE_3V3            | E5, E6, E7, E17, E18, E19, F5, F19, G5, G19, U5, U19, V5, V19, W5, W6, W7, W18, W19               | 3.3 V |
| CORE             | VDD_1V2             | J9, J10, J12, J14, J15, K9, K15, L9, L15, M9, M15, N9, N15, P9, P15, R9, R10, R12, R14, R15, AA21 | 1.2 V |
| USB PHY          | VDD_1V2_USB         | AB15                                                                                              | 1.2 V |
|                  | VDD_2V5_USB         | AA16                                                                                              | 2.5 V |
|                  | VDD_3V3_USB         | AB16                                                                                              | 3.3 V |

**Table 5. Power supply pin descriptions (continued)**

| Group                       | Signal name            | Ball                                                                                                          | Value            |
|-----------------------------|------------------------|---------------------------------------------------------------------------------------------------------------|------------------|
| PCIe PHY                    | PCIE_VDD_PLL           | M21                                                                                                           | 1.2 V            |
|                             | PCIE_P1_VDDR           | M22                                                                                                           | 1.2 V            |
|                             | PCIE_P1_VDDT1          | N21                                                                                                           | 1.2 V            |
|                             | PCIE_P1_VDDT2          | N22                                                                                                           | 2.5 V            |
|                             | PCIE_VDD2_PLL          | R21                                                                                                           | 2.5 V            |
| OSCI<br>(master clock)      | VDD_1V2_RCG_MCLK       | AA18                                                                                                          | 1.2 V            |
|                             | VDDE_2V5_RCG_MCLK      | AC18                                                                                                          | 2.5 V            |
| PLL 1                       | AVDD_2V5_PLL1          | Y16                                                                                                           | 2.5 V            |
| PLL 2                       | AVDD_2V5_PLL2          | Y14                                                                                                           | 2.5 V            |
| SYNTH                       | VDD_1V2_RCG_CLK_SYNTH  | Y19                                                                                                           | 1.2 V            |
|                             | VCCA_2V5_RCG_CLK_SYNTH | Y18                                                                                                           | 2.5 V            |
| DDR                         | VDDE_DDR               | A5, A11, A14, A20, C23, D6, D11, D14                                                                          | 1.8 V / 2.5 V    |
| AFE_ADC                     | VDD_1V2_ADC            | W23                                                                                                           | 1.2 V            |
|                             | VCCAISO_2V5_ADC        | Y21                                                                                                           | 2.5 V            |
|                             | VCCA_2V5_ADC           | Y23                                                                                                           | 2.5 V            |
| AFE_DAC                     | VDD_1V2_DAC            | T21                                                                                                           | 1.2 V            |
|                             | VCCA1_2V5_DAC          | U21                                                                                                           | 2.5 V            |
|                             | VCCA2_2V5_DAC          | T20                                                                                                           | 2.5 V            |
| AFE_PGA                     | VDD_2V5_PGA            | AB20                                                                                                          | 2.5 V            |
|                             | VDDE_3V3_PGA           | AC20                                                                                                          | 3.3 V            |
| OSCI RTC                    | VDD_1V5_RTC            | G22                                                                                                           | 1.5 V            |
| Internal<br>2.5 V regulator | VDDE_2V5_REG (REG OUT) | Y22                                                                                                           | 2.5 V            |
|                             | VDDE_3V3_REG (REG IN)  | AA22                                                                                                          | 3.3 V            |
| Reserved                    | Reserved               | AA23, B23, D21, D22, D23, E20, E21, E22, E23, F20, F21, F22, F23, G20, G21, H20, H21, J20, J21, K20, K21, L20 | Keep it floating |
| Reserved                    | Reserved               | B22                                                                                                           | Connect to GND   |



Table 6. Debug pin descriptions

| Signal name  | Ball | Direction | Function                                                    | Pin type                                    |
|--------------|------|-----------|-------------------------------------------------------------|---------------------------------------------|
| Reserved     | B4   | In        | Reserved<br>Connect to GND                                  | TTL input buffer, 3.3 V<br>tolerant with PD |
| JTAG_TMS     | C5   | In        | Test mode select                                            | TTL input buffer, 3.3 V<br>tolerant with PU |
| JTAG_TCK     | D4   | In        | Test clock                                                  | TTL input buffer, 3.3 V<br>tolerant with PU |
| JTAG_NTRST   | E4   | In        | Test reset input                                            | TTL input buffer, 3.3 V<br>tolerant with PU |
| JTAG_TDI     | F4   | In        | Test data input                                             | TTL input buffer, 3.3 V<br>tolerant with PU |
| JTAG_TDO     | G4   | Out       | Test data output                                            | TTL output buffer, 3.3 V<br>capable, 4 mA   |
| ETM_TRACECLK | Y7   | Out       | ETM clock (the other ETM<br>signals are available on MFIOs) | TTL output buffer, 3.3 V<br>capable, 4 mA   |

Table 7. Boot source descriptions

| Signal name   | Ball | Direction | Function                | Pin type                                    |
|---------------|------|-----------|-------------------------|---------------------------------------------|
| SOC_CFG_BOOT0 | C2   | In        | Boot mode configuration | TTL input buffer, 3.3 V<br>tolerant with PD |
| SOC_CFG_BOOT1 | B2   | In        | Boot mode configuration | TTL input buffer, 3.3 V<br>tolerant with PD |
| SOC_CFG_BOOT2 | C3   | In        | Boot mode configuration | TTL input buffer, 3.3 V<br>tolerant with PD |
| SOC_CFG_BOOT3 | B3   | In        | Boot mode configuration | TTL input buffer, 3.3 V<br>tolerant with PD |

**Table 8. Boot source selection**

| Boot source             | SOC_CFG_BOOT3 | SOC_CFG_BOOT2    | SOC_CFG_BOOT1    | SOC_CFG_BOOT0    |
|-------------------------|---------------|------------------|------------------|------------------|
| SMI (3-byte addressing) | 0             | 0                | 0                | 0                |
| SMI (2-byte addressing) | 0             | 0                | 0                | 1                |
| FSMC/NAND 8-bit         | 0             | 0                | 1                | 0                |
| FSMC/NAND 16-bit        | 0             | 0                | 1                | 1                |
| UART1 (G20)             | 0             | 1                | 0                | 0                |
| UART2(G21)              | 0             | 1                | 0                | 1                |
| FSMC/NOR 8-bit          | 0             | 1                | 1                | 0                |
| FSMC/NOR 16-bit         | 0             | 1                | 1                | 1                |
| Reserved                | 1             | X <sup>(1)</sup> | X <sup>(1)</sup> | X <sup>(1)</sup> |

1. An "X" may be a "1" or a "0".

**Table 9. SMI pin descriptions**

| Signal name | Ball | Direction | Function                 | Pin type                                                          |
|-------------|------|-----------|--------------------------|-------------------------------------------------------------------|
| SMI_DIN     | A2   | In        | Serial Flash input data  | TTL input buffer, 3.3 V tolerant with configurable PU/PD and HYST |
| SMI_DOUT    | A3   | Out       | Serial Flash output data | TTL output buffer, 3.3 V capable, 4 mA                            |
| SMI_CLK     | A4   | I/O       | Serial Flash clock       | TTL output buffer, 3.3 V capable, 4 mA                            |
| SMI_NCS0    | B1   | Out       | Serial Flash chip select | TTL output buffer, 3.3 V capable, 4 mA                            |
| SMI_NCS1    | C1   | Out       | Serial Flash chip select | TTL output buffer, 3.3 V capable, 4 mA                            |
| SMI_NCS2    | D1   | Out       | Serial Flash chip select | TTL output buffer, 3.3 V capable, 4 mA                            |

**Table 10. USB Pin descriptions**

| Signal name | Ball | Direction | Function                                        | Pin type                                                                                  |
|-------------|------|-----------|-------------------------------------------------|-------------------------------------------------------------------------------------------|
| USB_VBUS    | AA14 | I/O       | USB device VBUS detect or USB host VBUS control | Bidirectional TTL pad, 3.3 V tolerant input with PD for device mode; output for host mode |
| USB_OVERCUR | AB13 | In        | USB host overcurrent                            | TTL input buffer 3.3 V tolerant with PU (for host mode only)                              |
| USB_TXRTUNE | AB14 | Out       | Reference resistor                              | Analog                                                                                    |
| USB_DP      | AC14 | I/O       | USB host or device D+                           | Bidirectional analog buffer 5 V tolerant                                                  |
| USB_DM      | AC15 |           | USB host or device D-                           | Bidirectional analog buffer 5 V tolerant                                                  |
| Reserved    | AC17 | Out       | Do not connect test output                      | Analog                                                                                    |

Table 11. PCIe / SATA pin descriptions

| Signal name | Ball | Direction | Function                                          | Pin type   |
|-------------|------|-----------|---------------------------------------------------|------------|
| PCIE_P1_RXN | L22  | In        | High frequency negative RX input signal           | Analog     |
| PCIE_P1_RXP | L23  | In        | High frequency positive RX input signal           | Analog     |
| PCIE_XTAL2  | N20  | Out       | Feedback of the crystal oscillator                | Oscillator |
| PCIE_XTAL1  | P20  | In        | Input of the crystal oscillator                   | Oscillator |
| PCIE_P1_TXP | P22  | Out       | High frequency positive TX output signal          | Analog     |
| PCIE_P1_TXN | P23  | Out       | High frequency negative TX output signal          | Analog     |
| PCIE_REFRES | R20  | Input     | Reference resistor for the impedance compensation | Analog     |

Table 12. Internal AFE pin descriptions

| Signal name | Ball | Direction | Function                                   | Pin type |
|-------------|------|-----------|--------------------------------------------|----------|
| DAC_IDAC    | U23  | Out       | HF DAC differential positive current "Out" | Analog   |
| DAC_REXT    | V22  | Out       | External precision resistor                | Analog   |
| DAC_IDACB   | V23  | Out       | HF DAC differential negative current "Out" | Analog   |
| PGA_IN_N    | AC21 | In        | PGA negative input                         | Analog   |
| PGA_IN_P    | AC22 | In        | PGA positive input                         | Analog   |

Table 13. AC crossing pin descriptions

| Signal name | Ball | Direction | Function                           | Pin type                                                           |
|-------------|------|-----------|------------------------------------|--------------------------------------------------------------------|
| AC_CROSSING | C4   | In        | Mains digital input, zero crossing | TTL input buffer, 3.3 V tolerant, with configurable PU/PD and HYST |
| ZC_IN       | AA20 | In        | Mains analog zero crossing         | Analog                                                             |

Table 14. External PLI pin description

| Signal name | Ball | Direction | Function           | Pin type                               |
|-------------|------|-----------|--------------------|----------------------------------------|
| EXTPLI_TXON | C22  | Out       | Line driver enable | TTL output buffer, 3.3 V capable, 4 mA |

Table 15. DDR pin descriptions

| Signal name | Ball | Direction | Function              | Pin type                                                           |
|-------------|------|-----------|-----------------------|--------------------------------------------------------------------|
| DDR_ADDR_0  | D7   | Out       | Address lines         | Compatible with DDRI (SSTL2) and DDRII (SSTL18)                    |
| DDR_ADDR_1  | C7   |           |                       |                                                                    |
| DDR_ADDR_2  | B7   |           |                       |                                                                    |
| DDR_ADDR_3  | A8   |           |                       |                                                                    |
| DDR_ADDR_4  | B8   |           |                       |                                                                    |
| DDR_ADDR_5  | C8   |           |                       |                                                                    |
| DDR_ADDR_6  | D8   |           |                       |                                                                    |
| DDR_ADDR_7  | A9   |           |                       |                                                                    |
| DDR_ADDR_8  | B9   |           |                       |                                                                    |
| DDR_ADDR_9  | C9   |           |                       |                                                                    |
| DDR_ADDR_10 | D9   |           |                       |                                                                    |
| DDR_ADDR_11 | A10  |           |                       |                                                                    |
| DDR_ADDR_12 | B10  |           |                       |                                                                    |
| DDR_ADDR_13 | C10  |           |                       |                                                                    |
| DDR_ADDR_14 | D10  |           |                       |                                                                    |
| DDR_BA_0    | C11  | Out       | Bank select           | Differential<br>Compatible with DDRI (SSTL2) and<br>DDRII (SSTL18) |
| DDR_BA_1    | D12  |           |                       |                                                                    |
| DDR_BA_2    | C12  |           |                       |                                                                    |
| DDR_RAS     | B14  | Out       | Row address strobe    |                                                                    |
| DDR_CAS     | B13  | Out       | Column address strobe |                                                                    |
| DDR_WE      | B11  | Out       | Write enable          |                                                                    |
| DDR_CLKEN   | B12  | Out       | Clock enable          |                                                                    |
| DDR_CLK_P   | A12  | Out       | Differential clock    |                                                                    |
| DDR_CLK_N   | A13  |           |                       |                                                                    |

Table 15. DDR pin descriptions (continued)

| Signal name        | Ball | Direction | Function                                                 | Pin type                                                        |
|--------------------|------|-----------|----------------------------------------------------------|-----------------------------------------------------------------|
| DDR_CS_0           | C13  | Out       | Chip select                                              | Compatible with DDRI (SSTL2) and DDRII (SSTL18)                 |
| DDR_CS_1           | C14  |           |                                                          |                                                                 |
| DDR_ODT_1          | A6   | I/O       | On-die termination enable lines                          |                                                                 |
| DDR_ODT_0          | A7   |           |                                                          |                                                                 |
| DDR_DATA_0         | D15  | I/O       | Data lines (lower byte)                                  |                                                                 |
| DDR_DATA_1         | C15  |           |                                                          |                                                                 |
| DDR_DATA_2         | D16  |           |                                                          |                                                                 |
| DDR_DATA_3         | C16  |           |                                                          |                                                                 |
| DDR_DATA_4         | C18  |           |                                                          |                                                                 |
| DDR_DATA_5         | D18  |           |                                                          |                                                                 |
| DDR_DATA_6         | C17  |           |                                                          |                                                                 |
| DDR_DATA_7         | D17  |           |                                                          |                                                                 |
| DDR_DQS_0          | A15  | Out       | Lower data strobe                                        | Differential<br>Compatible with DDRI (SSTL2) and DDRII (SSTL18) |
| DDR_NDQS_0         | A16  |           |                                                          |                                                                 |
| DDR_DM_0           | B15  | Out       | Lower data mask                                          | Compatible with DDRI (SSTL2) and DDRII (SSTL18)                 |
| DDR_GATE_0         | A17  | I/O       | Lower gate open                                          |                                                                 |
| DDR_DATA_8         | C21  | I/O       | Data lines (upper byte)                                  |                                                                 |
| DDR_DATA_9         | B21  |           |                                                          |                                                                 |
| DDR_DATA_10        | C20  |           |                                                          |                                                                 |
| DDR_DATA_11        | B20  |           |                                                          |                                                                 |
| DDR_DATA_12        | D19  |           |                                                          |                                                                 |
| DDR_DATA_13        | C19  |           |                                                          |                                                                 |
| DDR_DATA_14        | B19  |           |                                                          |                                                                 |
| DDR_DATA_15        | B18  |           |                                                          |                                                                 |
| DDR_DQS_1          | A18  | Out       | Upper data strobe                                        | Differential<br>Compatible with DDRI (SSTL2) and DDRII (SSTL18) |
| DDR_NDQS_1         | A19  |           |                                                          |                                                                 |
| DDR_DM_1           | B16  | Out       | Upper data mask                                          | Compatible with DDRI (SSTL2) and DDRII (SSTL18)                 |
| DDR_GATE_1         | B17  | I/O       | Upper gate open                                          |                                                                 |
| VREF_DDR           | D13  | In        | Reference voltage                                        | Analog 1.8 V                                                    |
| DDR2_EN            | B5   | In        | Configuration                                            | TTL input buffer, 3.3 V tolerant, with PU                       |
| COMP_1V8_ANAREXT   | B6   | Power     | External resistor for 1.8 V I/Os compensation            | Analog 1.8 V capable                                            |
| COMP_1V8_GNDBGCOMP | C6   | Power     | Return for external resistor for 1.8 V I/Os compensation | Power                                                           |

## 4.2 Shared I/O pins (MFIOs)

The 104 MFIOs can be configured in different modes. This allows the SStreamPlug ST2100 to be tailored for various applications.

For the MFIO from 88 to 103, the signal specified in [Table 16](#) is also conditioned by an internal selection MUX that can choose among the specified signal and an internal basic subsystem general purpose IO (BS\_GPIO), as specified in the SStreamPlug ST2100 manual and shown in [Figure 2](#) and [Figure 3](#).

Figure 2. MIFO 0-87 muxing scheme

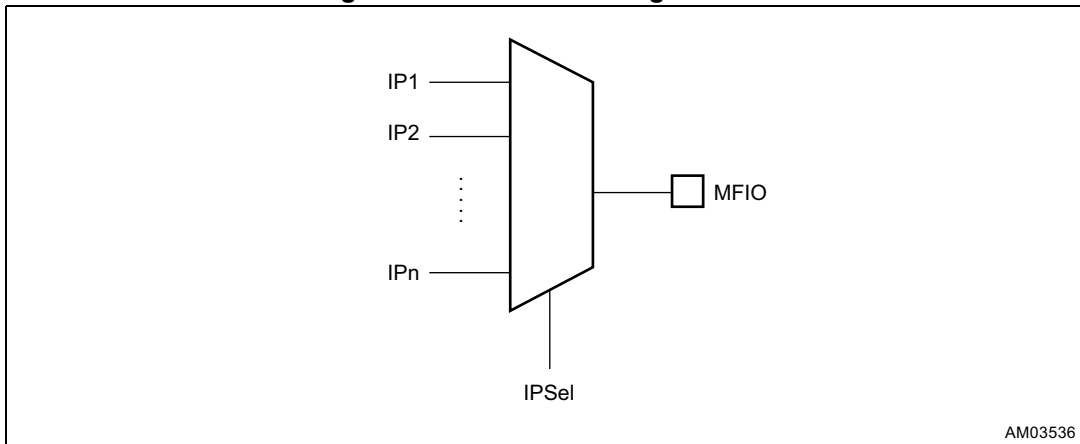
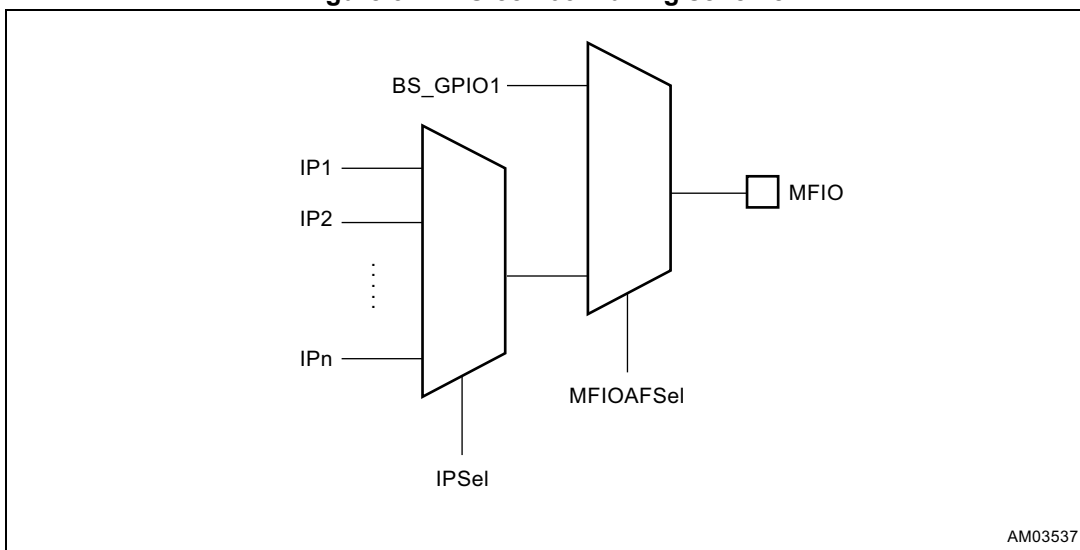


Figure 3. MIFO 88-103 muxing scheme



**Table 16. MFIO pin descriptions**

| Ball no. | Signal name | Muxing selection |            |                  |   |   |                 |
|----------|-------------|------------------|------------|------------------|---|---|-----------------|
|          |             | 0                | 1          | 2                | 3 | 4 | 5               |
| AB9      | MFIO0       | eth_phy_int      | FSMC_BLn0  | FSMC_PCSel0      | - | - | ETM_TRACEPKTA_0 |
| AA8      | MFIO1       | eth_clk          | FSMC_BLn1  | FSMC_PCSel1      | - | - | ETM_TRACEPKTA_1 |
| AB6      | MFIO2       | MII_TXER         | FSMC_PCOEn | FSMC_PCOEn       | - | - | ETM_TRACEPKTA_2 |
| AA7      | MFIO3       | MII_TXEN         | FSMC_PCWEn | FSMC_PCWEn       | - | - | ETM_TRACEPKTA_3 |
| AA9      | MFIO4       | MII_TXD_3        | FSMC_Ebar0 | FSMC_PCIntRq_1   | - | - | ETM_TRACEPKTB_0 |
| AB7      | MFIO5       | MII_TXD_2        | FSMC_Ebar1 | FSMC_PCIntRq_2   | - | - | ETM_TRACEPKTB_1 |
| AA6      | MFIO6       | MII_TXD_1        | FSMC_Ebar2 | FSMC_PCAD16(CLE) | - | - | ETM_TRACEPKTB_2 |
| AB8      | MFIO7       | MII_TXD_0        | FSMC_Ebar3 | FSMC_PCAD17(ALE) | - | - | ETM_TRACEPKTB_3 |
| AB5      | MFIO8       | MII_TXCLK        | FSMC_PCDa0 | -                | - | - | ETM_TRACE_SYNCA |
| AC8      | MFIO9       | MII_RXER         | FSMC_PCDa1 | -                | - | - | ETM_PIPESTATA_0 |
| AC5      | MFIO10      | MII_RXDV         | FSMC_PCDa2 | -                | - | - | ETM_PIPESTATA_1 |
| AC7      | MFIO11      | MII_RXD_3        | FSMC_PCDa3 | -                | - | - | ETM_PIPESTATA_2 |
| AB4      | MFIO12      | MII_RXD_2        | FSMC_PCDa4 | -                | - | - | ETM_TRACE_SYNCB |
| AC6      | MFIO13      | MII_RXD_1        | FSMC_PCDa5 | -                | - | - | ETM_PIPESTATB_0 |
| AA5      | MFIO14      | MII_RXD_0        | FSMC_PCDa6 | -                | - | - | ETM_PIPESTATB_1 |
| AC4      | MFIO15      | MII_RXCLK        | FSMC_PCDa7 | -                | - | - | ETM_PIPESTATB_2 |
| AA4      | MFIO16      | MII_MDIO         | FSMC_PCAD0 | -                | - | - | AS_GPIO8        |
| AC3      | MFIO17      | MII_MDC          | FSMC_PCAD1 | -                | - | - | AS_GPIO9        |
| AB3      | MFIO18      | MII_CRS          | FSMC_PCAD2 | -                | - | - | AS_GPIO10       |
| AC2      | MFIO19      | MII_COL          | FSMC_PCAD3 | -                | - | - | AS_GPIO11       |
| Y3       | MFIO20      | UART2_CTS        | FSMC_PCAD4 | -                | - | - | AS_GPIO12       |
| AB2      | MFIO21      | UART2_RTS        | FSMC_PCAD5 | -                | - | - | AS_GPIO13       |



Table 16. MFIO pin descriptions (continued)

| Ball no.     | Signal name | Muxing selection |             |          |         |             |           |
|--------------|-------------|------------------|-------------|----------|---------|-------------|-----------|
|              |             | 0                | 1           | 2        | 3       | 4           | 5         |
| Y4MFIO<br>22 | UART2_RXD   | FSMC_PCAD6       | -           | -        | -       | AS_GPIO14   | -         |
| AA3          | MFIO23      | UART2_TXD        | FSMC_PCAD7  | -        | -       | -           | AS_GPIO15 |
| Y5           | MFIO24      | UART1_CTS        | FSMC_PCDa8  | -        | -       | -           | -         |
| AA1          | MFIO25      | UART1_RTS        | FSMC_PCDa9  | -        | -       | -           | -         |
| Y6           | MFIO26      | UART1_RXD        | FSMC_PCDa10 | -        | -       | -           | -         |
| AB1          | MFIO27      | UART1_TXD        | FSMC_PCDa11 | -        | -       | -           | -         |
| W4           | MFIO28      | AS_GPIO4         | FSMC_PCDa12 | -        | -       | -           | -         |
| Y1           | MFIO29      | AS_GPIO5         | FSMC_PCDa13 | -        | -       | -           | -         |
| V3           | MFIO30      | AS_GPIO6         | FSMC_PCDa14 | -        | -       | -           | -         |
| V2           | MFIO31      | AS_GPIO7         | FSMC_PCDa15 | -        | -       | -           | -         |
| W3           | MFIO32      | AS_GPIO0         | FSMC_PCAD8  | -        | -       | -           | -         |
| Y2           | MFIO33      | AS_GPIO1         | FSMC_PCAD9  | -        | -       | -           | -         |
| U3           | MFIO34      | AS_GPIO2         | FSMC_PCAD10 | -        | -       | -           | -         |
| W2           | MFIO35      | AS_GPIO3         | FSMC_PCAD11 | -        | -       | -           | -         |
| V4           | MFIO36      | AS_GPIO8         | FSMC_PCAD12 | -        | -       | -           | -         |
| AA2          | MFIO37      | AS_GPIO9         | FSMC_PCAD13 | -        | -       | -           | -         |
| U2           | MFIO38      | AS_GPIO10        | FSMC_PCAD14 | -        | -       | -           | -         |
| W1           | MFIO39      | AS_GPIO11        | FSMC_PCAD15 | -        | -       | -           | -         |
| U4           | MFIO40      | AS_GPIO12        | -           | -        | -       | FSMC_PCAD16 | -         |
| V1           | MFIO41      | AS_GPIO13        | -           | -        | -       | FSMC_PCAD17 | -         |
| T3           | MFIO42      | AS_GPIO14        | PGC_IR_TX   | FirDA_RX | -       | FSMC_PCAD18 | -         |
| T1           | MFIO43      | AS_GPIO15        | PGC_IR_RX   | FirDA_TX | -       | FSMC_PCAD19 | -         |
| R4           | MFIO44      | SPORT_DRSEC2     | -           | -        | RxQuiet | FSMC_PCAD20 | -         |



**Table 16. MFIO pin descriptions (continued)**

| Ball no. | Signal name | Muxing selection |           |           |             |              |   |
|----------|-------------|------------------|-----------|-----------|-------------|--------------|---|
|          |             | 0                | 1         | 2         | 3           | 4            | 5 |
| U1       | MFIO45      | SPORT_DRSEC1     | TS_DATA7  | -         | XGAIN       | FSMC_PCAD21  | - |
| R3       | MFIO46      | SPORT_DRSEC0     | TS_DATA6  | -         | TX_EN2      | FSMC_PCAD22  | - |
| R2       | MFIO47      | SPORT_DTSEC2     | TS_DATA5  | DAI_SDO   | TX_EN1      | FSMC_PCAD23  | - |
| P4       | MFIO48      | SPORT_DTSEC1     | TS_DATA4  | DAI_SDI   | AS_GPIO16   | FSMC_WTn     | - |
| R1       | MFIO49      | SPORT_DTSEC0     | TS_DATA3  | DAI_LRCLK | AS_GPIO17   | FSMC_CLK     | - |
| P3       | MFIO50      | SPORT_DRPRI      | TS_DATA2  | DAI_SCLK  | AS_GPIO18   | FSMC_Lbar    | - |
| T2       | MFIO51      | SPORT_RFS        | TS_DATA1  | DAI_MCLK  | AS_GPIO19   | FSMC_PCSel0  | - |
| T4       | MFIO52      | SPORT_DTPRI      | TS_DATA0  | AS_GPIO20 | -           | FSMC_PCSel1  | - |
| P1       | MFIO53      | SPORT_TFS        | TS_DVALID | AS_GPIO21 | -           | FSMC_PCSel2  | - |
| P2       | MFIO54      | SPORTnCLK        | TS_SYNC   | AS_GPIO22 | -           | FSMC_PCSel3  | - |
| N1       | MFIO55      | SPORT_TSCLK      | TS_CLK    | AS_GPIO23 | -           | FSMC_PCWaitn | - |
| N4       | MFIO56      | -                | -         | -         | eth_phy_int | -            | - |
| N2       | MFIO57      | -                | -         | -         | eth_clk     | -            | - |
| N3       | MFIO58      | CLCD_PWR         | -         | -         | MII_TXER    | -            | - |
| M2       | MFIO59      | CLCD_LE          | -         | -         | MII_TXEN    | -            | - |
| M3       | MFIO60      | CLCD_LP          | -         | -         | MII_TXD_3   | -            | - |
| L2       | MFIO61      | CLCD_FP          | -         | -         | MII_TXD_2   | -            | - |
| L3       | MFIO62      | CLCD_CP          | -         | -         | MII_TXD_1   | -            | - |
| L1       | MFIO63      | CLCD_AC          | -         | -         | MII_TXD_0   | -            | - |
| L4       | MFIO64      | CLCD_D0          | -         | -         | MII_TXCLK   | -            | - |
| K1       | MFIO65      | CLCD_D1          | -         | -         | MII_RXER    | -            | - |
| K3       | MFIO66      | CLCD_D2          | -         | -         | MII_RXDV    | -            | - |
| K2       | MFIO67      | CLCD_D3          | -         | -         | MII_RXD_3   | -            | - |



Table 16. MFIO pin descriptions (continued)

| Ball no. | Signal name | Muxing selection |                 |           |           |   |   |
|----------|-------------|------------------|-----------------|-----------|-----------|---|---|
|          |             | 0                | 1               | 2         | 3         | 4 | 5 |
| K4       | MFIO68      | CLCD_D4          | -               | -         | MII_RXD_2 | - | - |
| J1       | MFIO69      | CLCD_D5          | -               | -         | MII_RXD_1 | - | - |
| J3       | MFIO70      | CLCD_D6          | -               | -         | MII_RXD_0 | - | - |
| H1       | MFIO71      | CLCD_D7          | -               | -         | MII_RXCLK | - | - |
| J4       | MFIO72      | CLCD_D8          | AS_GPIO16       | -         | MII_MDIO  | - | - |
| G1       | MFIO73      | CLCD_D9          | AS_GPIO17       | -         | MII_MDC   | - | - |
| J2       | MFIO74      | CLCD_D10         | AS_GPIO18       | -         | MII_CRD   | - | - |
| G2       | MFIO75      | CLCD_D11         | AS_GPIO19       | -         | MII_COL   | - | - |
| G3       | MFIO76      | CLCD_D12         | AS_GPIO20       | -         | CAN1_RX   | - | - |
| F3       | MFIO77      | CLCD_D13         | AS_GPIO21       | -         | CAN1_TX   | - | - |
| H2       | MFIO78      | CLCD_D14         | AS_GPIO22       | -         | CAN2_RX   | - | - |
| F1       | MFIO79      | CLCD_D15         | AS_GPIO23       | -         | CAN2_TX   | - | - |
| H4       | MFIO80      | CLCD_D16         | -               | UART1_CTS | -         | - | - |
| F2       | MFIO81      | -                | CLCD_D17        | -         | UART1_RTS | - | - |
| H3       | MFIO82      | I2C_SCL          | CLCD_D18        | -         | UART1_RXD | - | - |
| E1       | MFIO83      | I2C_SDA          | CLCD_D19        | -         | UART1_TXD | - | - |
| D3       | MFIO84      | SPI_SSP_SS       | CLCD_D20        | -         | UART2_CTS | - | - |
| E2       | MFIO85      | SPI_SSP_SCLK     | CLCD_D21        | -         | UART2_RTS | - | - |
| E3       | MFIO86      | SPI_SSP_MISO     | CLCD_D22        | -         | UART2_RXD | - | - |
| D2       | MFIO87      | SPI_SSP_MOSI     | CLCD_D23        | -         | UART2_TXD | - | - |
| AA10     | MFIO88      | CAN1_RX          | ETM_PIPESTATB_2 | -         | -         | - | - |
| Y10      | MFIO89      | CAN1_TX          | ETM_PIPESTATB_1 | -         | -         | - | - |
| AA11     | MFIO90      | CAN2_RX          | ETM_PIPESTATB_0 | -         | -         | - | - |

**Table 16. MFIO pin descriptions (continued)**

| Ball no. | Signal name | Muxing selection |                 |   |   |   |   |
|----------|-------------|------------------|-----------------|---|---|---|---|
|          |             | 0                | 1               | 2 | 3 | 4 | 5 |
| Y11      | MFIO91      | CAN2_TX          | ETM_TRACE_SYNCB | - | - | - | - |
| Y9       | MFIO92      | FSMC_PCIntRq_4   | ETM_PIPESTATA_2 | - | - | - | - |
| Y12      | MFIO93      | FSMC_PCIntRq_3   | ETM_PIPESTATA_1 | - | - | - | - |
| AA12     | MFIO94      | FSMC_PCIntRq_2   | ETM_PIPESTATA_0 | - | - | - | - |
| AB12     | MFIO95      | FSMC_PCIntRq_1   | ETM_TRACE_SYNCA | - | - | - | - |
| AA13     | MFIO96      | GPT1_CPTR2       | ETM_TRACEPKTB_3 | - | - | - | - |
| AC12     | MFIO97      | GPT1_CPTR1       | ETM_TRACEPKTB_2 | - | - | - | - |
| AB11     | MFIO98      | GPT1_CLK2        | ETM_TRACEPKTB_1 | - | - | - | - |
| AB10     | MFIO99      | GPT1_CLK1        | ETM_TRACEPKTB_0 | - | - | - | - |
| AC11     | MFIO100     | GPT2_CPTR2       | ETM_TRACEPKTA_3 | - | - | - | - |
| Y8       | MFIO101     | GPT2_CPTR1       | ETM_TRACEPKTA_2 | - | - | - | - |
| AC10     | MFIO102     | GPT2_CLK2        | ETM_TRACEPKTA_1 | - | - | - | - |
| AC9      | MFIO103     | GPT2_CLK1        | ETM_TRACEPKTA_0 | - | - | - | - |

### 4.3 Required external components

- COMP\_1V8\_ANAREXT: place an external 121 K $\Omega$  1% resistor between the ball B6 and ball C6
- USB\_TXRTUNE: connect an external 43.2  $\Omega$  1% pull-down resistor to the ball AB14
- COMP\_3V3\_ANAREXT: place an external 121 K $\Omega$  1% resistor between the ball A21 and ball A22
- PCIe\_REFRES: place an external 487  $\Omega$  1% resistor between the ball R20 and ball M21 (if using PCIe interface)
- DAC\_REXT: place an external 7.87 K $\Omega$  1% resistor between the ball V22 and ball U22
- DAC\_IDAC, DAC\_IDACB: place an external 1% accuracy load resistor between the ball V23 and ball U23 to ground.

## 5 Memory map

The memory map is shown in [Table 17](#).

**Table 17. Memory map description**

| Start Address | End Address  | Peripheral                | Description             |
|---------------|--------------|---------------------------|-------------------------|
| 0x00000000    | 0x3FFFFFFF   | External SDRAM            | DDR2                    |
| 0x40000000    | 0xBFFFFFFF   | PCIe data                 | -                       |
| 0xC0000000    | 0xC07FFFFFFF | S-ATA                     | -                       |
| 0xC0800000    | 0xCFFFFFFF   | -                         | Reserved                |
| 0xD0000000    | 0xD007FFFF   | UART1                     | -                       |
| 0xD0080000    | 0xD00FFFFFFF | UART2                     | -                       |
| 0xD0100000    | 0xD017FFFF   | SPI                       | -                       |
| 0xD0180000    | 0xD01FFFFFFF | I <sup>2</sup> C          | -                       |
| 0xD0200000    | 0xD027FFFF   | AES                       | -                       |
| 0xD0280000    | 0xD02FFFFFFF | CAN1                      | -                       |
| 0xD0300000    | 0xD03FFFFFFF | CAN2                      | -                       |
| 0xD0400000    | 0xD07FFFFFFF | -                         | Reserved                |
| 0xD0800000    | 0xD0FFFFFFF  | JPGC                      | -                       |
| 0xD1000000    | 0xD17FFFFFFF | FirDA                     | -                       |
| 0xD2800000    | 0xD2FFFFFFF  | 8 K SRAM                  | -                       |
| 0xD3000000    | 0xD37FFFFFFF | FSMC controller           | -                       |
| 0xD3800000    | 0xD3FFFFFFF  | FSMC - NAND memory        | -                       |
| 0xD4000000    | 0xD7FFFFFFF  | FSMC - SRAM memory        | -                       |
| 0xD8000000    | 0xD807FFFF   | PGC_IR                    | -                       |
| 0xD8080000    | 0xD80FFFFFFF | DAI_I2S                   | -                       |
| 0xD8100000    | 0xD817FFFF   | AS_GPIO base address      | -                       |
| 0xD8180000    | 0xD87FFFFFFF | -                         | Reserved                |
| 0xD8800000    | 0xD8FFFFFFF  | PLC modem                 | -                       |
| 0xD9000000    | 0xD97FFFFFFF | TS                        | -                       |
| 0xD9800000    | 0xD9FFFFFFF  | SPORT                     | -                       |
| 0xDA000000    | 0xDA7FFFFFFF | DES_TDES                  | -                       |
| 0xDA800000    | 0xDAFFFFFFF  | C3                        | -                       |
| 0xDB000000    | 0xE07FFFFFFF | -                         | Reserved                |
| 0xE0800000    | 0xE0FFFFFFF  | ETH                       | Ethernet MII - MAC      |
| 0xE1000000    | 0xE10FFFFFFF | USB 2.0 device controller | FIFO                    |
| 0xE1100000    | 0xE11FFFFFFF | USB 2.0 device controller | Configuration registers |

Table 17. Memory map description (continued)

| Start Address | End Address  | Peripheral                | Description                 |
|---------------|--------------|---------------------------|-----------------------------|
| 0xE1200000    | 0xE12FFFFFFF | USB 2.0 device controller | Configuration plug detect   |
| 0xE1300000    | 0xE17FFFFFFF | -                         | Reserved                    |
| 0xE1800000    | 0xE18FFFFFFF | USB 2.0 host controller   | EHCI                        |
| 0xE1900000    | 0xE19FFFFFFF | USB 2.0 host controller   | OHCI                        |
| 0xE1A00000    | 0xEFFFFFFF   | -                         | Reserved                    |
| 0xF0000000    | 0xF00FFFFFFF | GPT0                      | Timer 0 or CPU timer        |
| 0xF0100000    | 0xF0FFFFFFF  | -                         | Reserved                    |
| 0xF1000000    | 0xF107FFFF   | PCIe DBI port             | -                           |
| 0xF1080000    | 0xF10FFFFFFF | PCIe MiPHY UPORT          | -                           |
| 0xF1100000    | 0xF11FFFFFFF | VIC                       | Vector interrupt controller |
| 0xF1200000    | 0xF7FFFFFFF  | -                         | Reserved                    |
| 0xF8000000    | 0xFBFFFFFFF  | SMI                       | Memory                      |
| 0xFC000000    | 0xFC1FFFFFFF | SMI                       | Configuration registers     |
| 0xFC200000    | 0xFC3FFFFFFF | CLCD                      | -                           |
| 0xFC400000    | 0xFC5FFFFFFF | DMAC                      | -                           |
| 0xFC600000    | 0xFC7FFFFFFF | External SDRAM CFG        | Configuration registers     |
| 0xFC800000    | 0xFC87FFFF   | GPT1                      | Timer 1                     |
| 0xFC880000    | 0xFC8FFFFFFF | WDG                       | Watchdog                    |
| 0xFC900000    | 0xFC97FFFF   | RTC                       | -                           |
| 0xFC980000    | 0xFC9FFFFFFF | GPIO1                     | -                           |
| 0xFCA00000    | 0xFCA7FFFF   | SYS_CTRL                  | System controller           |
| 0xFCA80000    | 0xFCAFFFFFFF | MISC                      | Miscellaneous registers     |
| 0xFCB00000    | 0xFCB7FFFF   | GPT2                      | Timer 2                     |
| 0xFCB80000    | 0xFCBFFFFFFF | GPIO2                     | -                           |
| 0xFCC00000    | 0xFEFFFFFFF  | -                         | Reserved                    |
| 0xFF000000    | 0xFF00FFFF   | 48K_Boot_ROM              | -                           |
| 0xFF00C000    | 0xFFFFFFFF   | -                         | Reserved                    |

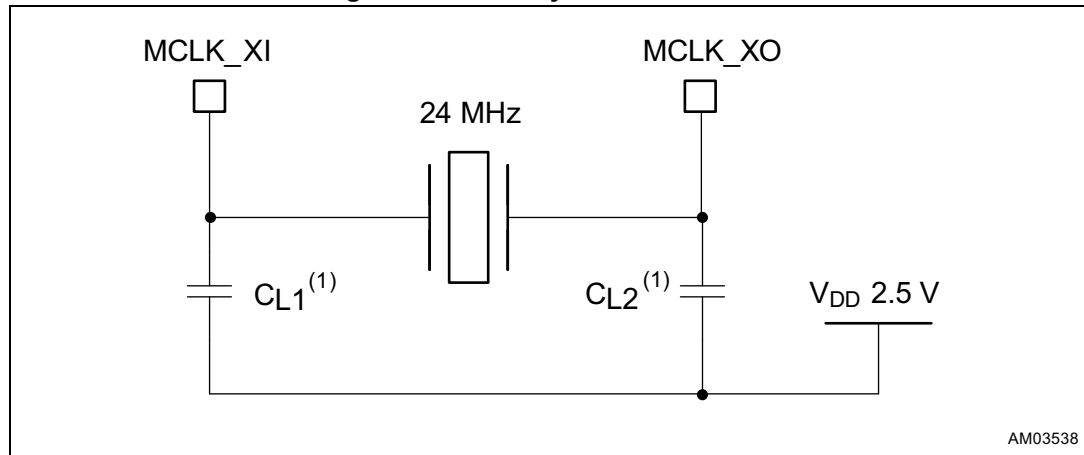
## 6 Clocking parameters

This section details clock related electrical specifications.

### 6.1 Master clock (MCLK)

The external circuit for generating the clock from a crystal oscillator is shown in [Figure 4](#).

**Figure 4. MCLK crystal connections**



1.  $C_{L1}$  and  $C_{L2}$  are the load capacitors.

The value of the capacitors depends on the type of the selected crystal. To calculate the value of the load capacitance, use [Equation 1](#).

For this example, an Aker C2E-24.000-12-3030-X 24 MHz oscillator has been used.

Load capacitance  $C_L$ :

#### Equation 1

$$C_L = (C_{L1} \times C_{L2} / C_{L1} + C_{L2}) + C_S$$

Where  $C_{L1}$  and  $C_{L2}$  are the load capacitors and  $C_S$  is the circuit's stray capacitance.

In our application this implies:

#### Equation 2

$$C_{L1} = C_{L2} = C_{ext}$$

#### Equation 3

$$C_{ext} = (C_L - C_S) \times 2$$

#### Example

For the Aker<sup>®</sup> C2E-24.000-12-3030-X crystal:

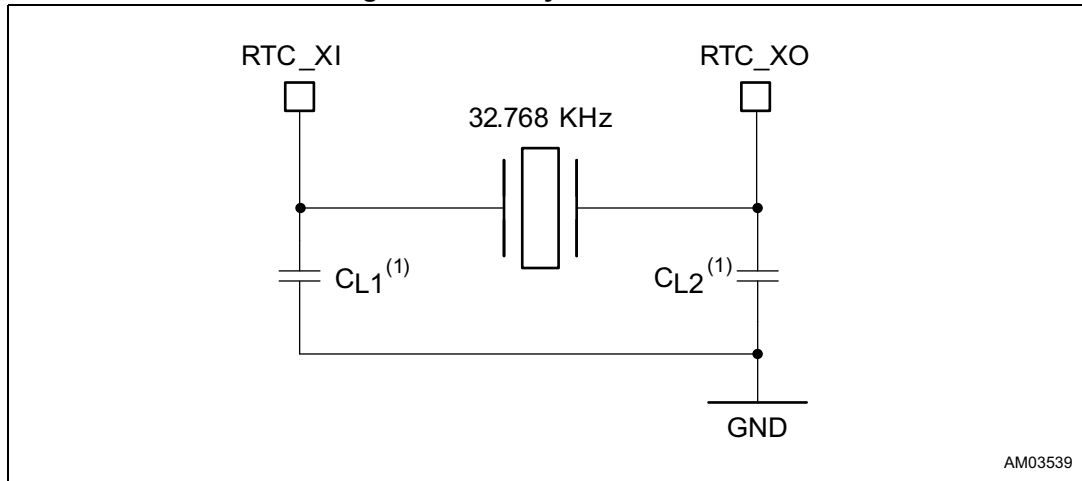
$$C_L = 12 \text{ PF}; \text{ with } C_S = 3 \text{ PF}, C_{ext} = C_{L1} = C_{L2} = 18 \text{ PF}.$$

*Note:* The ESR of the used quartz must be  $< 50 \Omega$ .

## 6.2 Real-time clock (RTC)

The external circuit for generating the real-time clock from a crystal oscillator is shown in [Figure 5](#).

**Figure 5. RTC crystal connection**



1.  $C_{L1}$  and  $C_{L2}$  are the load capacitors.

The value of the capacitors depends on the type of the selected crystal. For example, using a FOX Electronics<sup>®</sup>, P/N NC26LF-327 32.768 KHz oscillator, the value of the capacitors is 15 pF. The oscillator may not start if a crystal (FOX P/N FX325BS) is used.

If the shunt capacitance ( $C_o$ ) of the crystal is  $\sim 7.0$  pF, then the maximum ESR of the crystal must be less than 50  $\Omega$ .

## 6.3 PCIe/SATA clock

For SATA operation, the PCIE\_XTAL1/PCIE\_XTAL2 clock inputs can be implemented by a 30 MHz crystal oscillator as shown in [Table 18](#).

For PCIe operation, a suitable clock driver such as IDT IDT\_9FG104 can be used.

**Table 18. EXPI clock characteristics**

| Symbol    | Parameter                                                          | Min. | Typical | Max. | Unit |
|-----------|--------------------------------------------------------------------|------|---------|------|------|
| $f_{osc}$ | PCIE_XTAL1/PCIE_XTAL2 clock input frequency for SATA configuration | -    | 30      | -    | MHz  |
|           | PCIE_XTAL1/PCIE_XTAL2 clock input frequency for PCIe configuration | -    | 100     | -    |      |

## 7 Electrical characteristics

This section provides electrical specifications for the SStreamPlug ST2100 device.

### 7.1 Absolute maximum ratings

This product contains devices to protect the inputs against damage due to high/low static voltages. However it is advisable to take normal precaution to avoid application of any voltage higher/lower than the specified maximum/minimum rated voltages.

The absolute maximum ratings shown in [Table 19](#) are the maximum stress that can be applied to a device without causing permanent damage. However, extended exposure to minimum/maximum ratings may affect long term device reliability.

**Table 19. Absolute maximum rating**

| Symbol              | Parameter                              | Min. | Max. | Unit |
|---------------------|----------------------------------------|------|------|------|
| V <sub>DD</sub> 1.2 | Supply voltage for the core            | -0.3 | 1.32 | V    |
| V <sub>DD</sub> 3.3 | Supply voltage for the I/Os            | -0.3 | 3.63 | V    |
| V <sub>DD</sub> 2.5 | Supply voltage for the DDR/AFE         | -0.3 | 2.75 | V    |
| V <sub>DD</sub> 1.5 | Supply voltage for the real-time clock | -0.3 | 2.75 | V    |
| T <sub>STG</sub>    | Storage temperature                    | -55  | 150  | °C   |
| T <sub>J</sub>      | Junction temperature                   | -40  | 125  | °C   |

### 7.2 Power consumption

In [Table 20](#) and [Table 21](#) power consumption data are based on bench measurements with devices using the Linux OS, the CPU and DDR2 running at 333 MHz and all on-chip peripherals and internal modules enabled while the SStreamPlug ST2100 is transferring a file from the USB Flash memory to the powerline.

**Table 20. Power consumption**

| Symbol           | Parameter                                                       | Typical | Unit |
|------------------|-----------------------------------------------------------------|---------|------|
| PD (core supply) | Power consumption of 1.2 V supply voltage for the core          | 460     | mW   |
| PD (IO supply)   | Power consumption of 3.3 V supply voltage for the I/Os          | 270     | mW   |
| PD (AFE supply)  | Power consumption of 2.5 V supply voltage                       | 260     | mW   |
| PD (DDR supply)  | Power consumption of 1.8 V supply voltage for the DDR interface | 170     | mW   |
| PD (RTC supply)  | Power consumption of 1.5 V supply voltage for the RTC           | 9       | μW   |



**Table 21. Power consumption using 2.5 V internal LDO**

| Symbol              | Parameter                                                       | Typical | Unit    |
|---------------------|-----------------------------------------------------------------|---------|---------|
| $P_D$ (core supply) | Power consumption of 1.2 V supply voltage for the core          | 460     | mW      |
| $P_D$ (IO supply)   | Power consumption of 3.3 V supply voltage for the I/Os          | 630     | mW      |
| $P_D$ (DDR supply)  | Power consumption of 1.8 V supply voltage for the DDR interface | 170     | mW      |
| $P_D$ (RTC supply)  | Power consumption of 1.5 V supply voltage for the RTC           | 9       | $\mu$ W |

### 7.3 DC electrical characteristics

The recommended operating conditions are listed in [Table 22](#) and [Table 23](#).

**Table 22. Recommended operating conditions**

| Symbol          | Parameter                                 | Min. | Typical       | Max. | Unit |
|-----------------|-------------------------------------------|------|---------------|------|------|
| $V_{DD1.2}$     | Supply voltage for the core               | 1.08 | 1.2           | 1.32 | V    |
| $V_{DD3.3}$     | Supply voltage for the I/Os               | 2.97 | 3.3           | 3.63 | V    |
| $V_{DD2.5}$     | Supply voltage for the analog peripherals | 2.25 | 2.5           | 2.75 | V    |
| $V_{DD1.8/2.5}$ | Supply voltage for the DDR                | -10% | 2.5 V / 1.8 V | +10% | V    |
| $V_{DD1.5}$     | Supply voltage for the RTC                | 1.3  | 1.5           | 2.0  | V    |
| $V_{DD3.3 REG}$ | Supply voltage for 2.5 V linear regulator | 2,97 | 3.3           | 3.63 | V    |

**Table 23. Thermal recommended ratings**

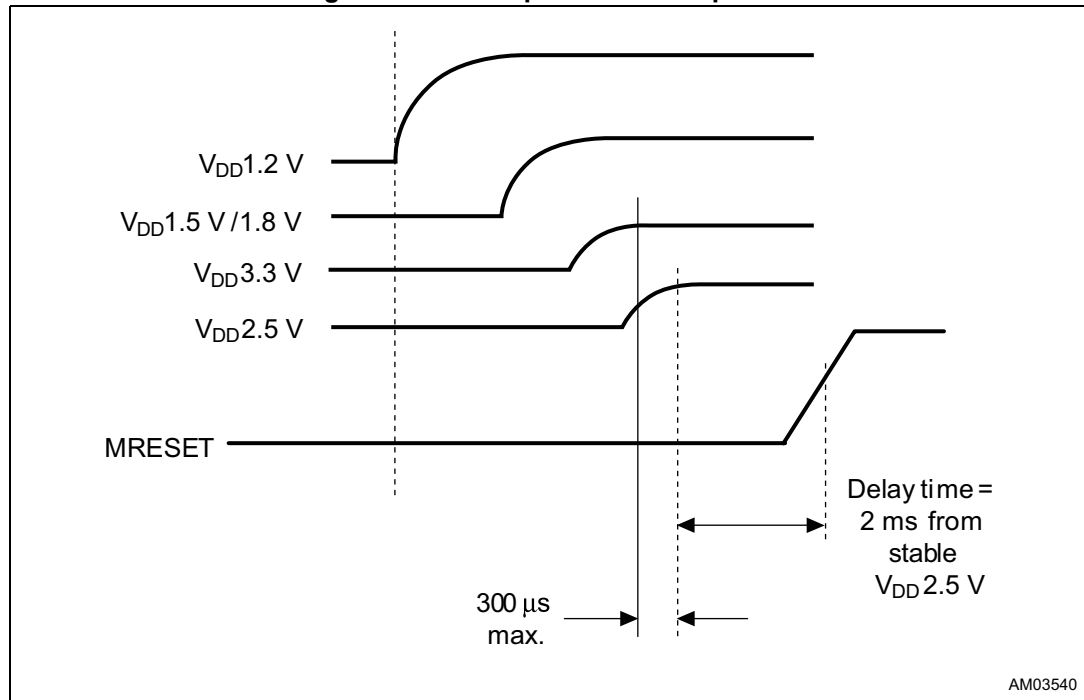
| Symbol    | Parameter                 | Min. | Max. | Unit         |
|-----------|---------------------------|------|------|--------------|
| $T_{STG}$ | Storage temperature range | -55  | 150  | $^{\circ}$ C |
| $T_J$     | Junction temperature      | -40  | 125  | -            |
| $T_a$     | Ambient temperature       | -40  | 85   | -            |

Thermal simulations should be done to verify if additional cooling is required. These simulations should take into account power consumption, PCB dissipation, air flow and/or heatsinks. The SStreamPlug device can perform correctly above the specified ambient temperature range if the maximum junction temperature remains below 125  $^{\circ}$ C.

### 7.4 Power-up and reset sequence

The master reset (MRESET) must be released after the  $V_{DD2.5}$  power supply is stable for a time interval of 2 ms, which is the start-up time of the main oscillator, as illustrated in [Figure 6](#).

Figure 6. Power-up and reset sequence



### 7.5 Internal 2.5 V linear regulator

The internal linear regulator specified in [Table 24](#) provides a regulated 2.5 V power supply for on-chip AFE, OSCI, PLL, USB PHY, PCIe PHY and SYNTH functional blocks.

The 2.5 V regulator cannot be used to supply external devices.

Table 24. Internal 2.5 V voltage regulator specifications

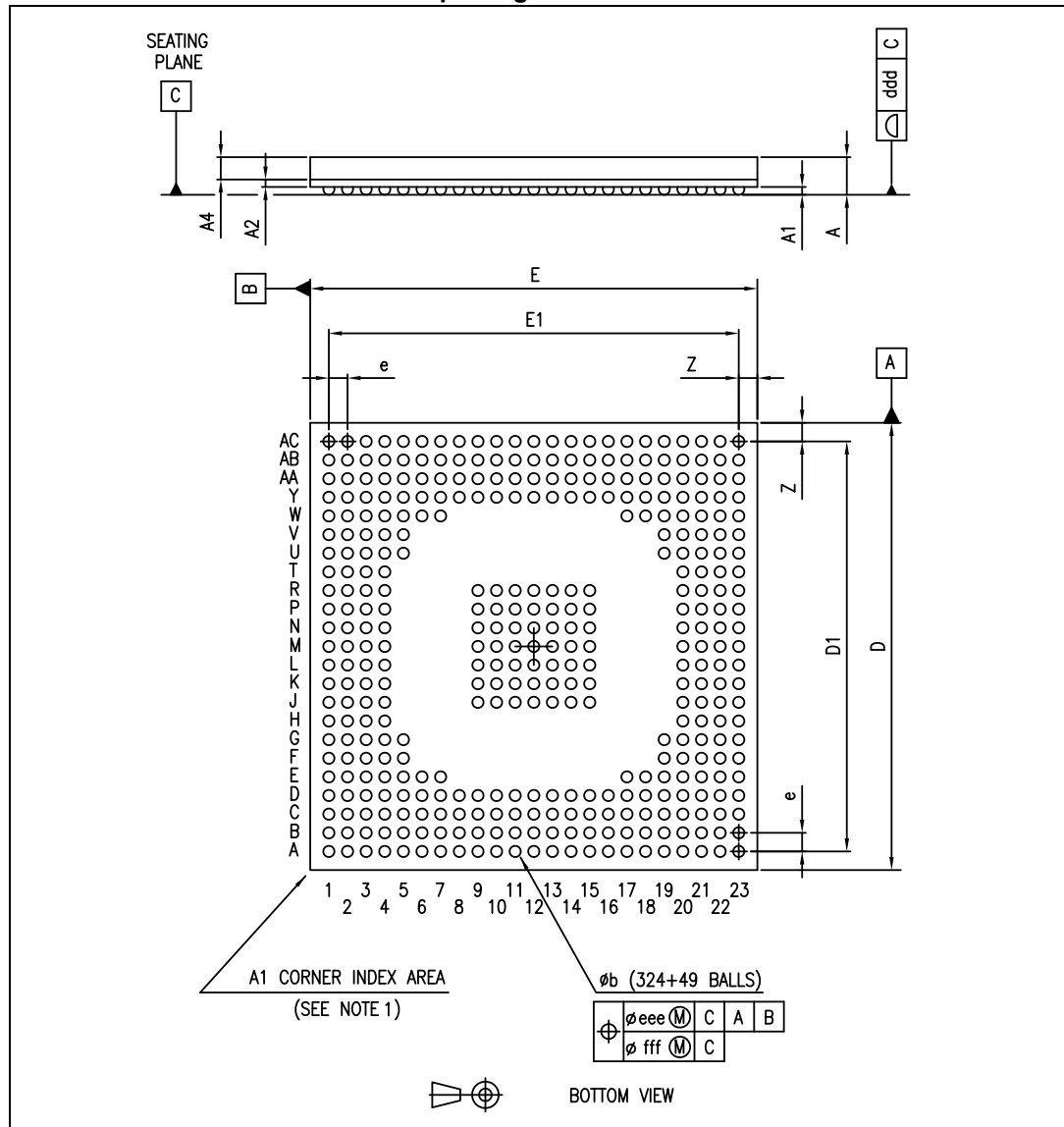
| Symbol                   | Parameter                                 | Min. | Typical | Max. | Unit |
|--------------------------|-------------------------------------------|------|---------|------|------|
| $V_{DD3.3\text{ REG}}$   | Supply voltage for 2.5 V linear regulator | 2.97 | 3.3     | 3.36 | V    |
| $V_{DD2.5\text{ REG}}$   | Output voltage of 2.5 V linear regulator  | 2.25 | 2.5     | 2.75 | V    |
| $I_{LOAD2.5\text{ REG}}$ | Output current of 2.5 V linear regulator  | -    | -       | 150  | mA   |

## 8 Package information

In order to meet environmental requirements, ST offers these devices in different grades of ECOPACK® packages, depending on their level of environmental compliance. ECOPACK specifications, grade definitions and product status are available at: [www.st.com](http://www.st.com). ECOPACK is an ST trademark.

### 8.1 TFBGA 12 x 12 x 1.2 mm package information

Figure 7. TFBGA 12 x 12 x 1.2 mm, 324 + 49 balls, 4R23 x 23, pitch 0.5 mm, ball 0.3 mm package outline



1. The terminal A1 corner must be identified on the top surface by using a corner chamfer, ink or metalized markings, or other feature of package body or integral heatslug. A distinguishing feature is allowable on the bottom surface of the package to identify the terminal A1 corner. Exact shape of each corner is optional.

Table 25 lists the mechanical data for the package shown in Figure 7.

**Table 25. TFBGA 12 x 12 x 1.2 mm, 324 + 49 balls, 4R23 x 23, pitch 0.5 mm, ball 0.3 mm package mechanical data**

| Symbol | Dimensions (mm) |         |       | Note |
|--------|-----------------|---------|-------|------|
|        | Min.            | Typical | Max.  |      |
| A      | -               | -       | 1.20  | (1)  |
| A1     | 0.15            | -       | -     | -    |
| A2     | -               | 0.20    | -     | -    |
| A4     | -               | 0.585   | -     | -    |
| b      | 0.25            | 0.30    | 0.35  | (2)  |
| D      | 11.85           | 12.00   | 12.15 | -    |
| D1     | -               | 11.00   | -     | -    |
| E      | 11.85           | 12.00   | 12.15 | -    |
| E1     | -               | 11.00   | -     | -    |
| e      | -               | 0.50    | -     | -    |
| Z      | -               | 0.50    | -     | -    |
| ddd    | -               | -       | 0.08  | -    |
| eee    | -               | -       | 0.15  | (3)  |
| fff    | -               | -       | 0.05  | (4)  |

- The total profile height (dim. A) is measured from the seating plane to the top of the component. The maximum total package height is calculated by the following methodology:  $A1\text{ typ.} + A2\text{ typ.} + A3\text{ typ.} + \sqrt{A1^2 + A2^2 + A3^2}$  tolerance values.  
Thin profile:  $1.00 < A < 1.20$  mm / fine pitch:  $e < 1.00$  mm pitch.
- The typical ball diameter before mounting is 0.30 mm.
- The tolerance of position that controls the location of the pattern of balls with respect to datums A and B. For each ball there is a cylindrical tolerance zone "eee" perpendicular to datum "C" and located on true position with respect to datums "A" and "B" as defined by "e". The axis perpendicular to datum "C" of each ball must lie within this tolerance zone.
- The tolerance of position that controls the location of the balls within the matrix with respect to each other. For each ball there is a cylindrical tolerance zone "fff" perpendicular to datum "C" and located on true position as defined by "e". The axis perpendicular to datum "C" of each ball must lie within this tolerance zone. Each tolerance zone "fff" in the array is contained entirely in the respective zone "eee" above. The axis of each ball must lie simultaneously in both tolerance zones.

The TFBGA ("Thin profile Fine Pitch Ball Grid Array") package uses a grid of solder balls as its connectors. The TFBGA package is noted for its compact size, high lead count and low inductance, which allows lower voltages to be used.

Table 26 lists thermal characteristics for the TFBGA package.

**Table 26. TFBGA package thermal characteristics**

| Symbol              | Parameter                              | Value | Unit |
|---------------------|----------------------------------------|-------|------|
| $\Theta_{JA}^{(1)}$ | Thermal resistance junction to ambient | 33    | °C/W |

- Measured on a JESD51 2S2P test board.

## 9 Revision history

Table 27. Document revision history

| Date        | Revision | Changes                                                                                                |
|-------------|----------|--------------------------------------------------------------------------------------------------------|
| 23-May-2014 | 1        | Initial release.                                                                                       |
| 06-Feb-2018 | 2        | Updated <a href="#">Section : Applications on page 1</a> .<br>Minor modifications throughout document. |

**IMPORTANT NOTICE – PLEASE READ CAREFULLY**

STMicroelectronics NV and its subsidiaries ("ST") reserve the right to make changes, corrections, enhancements, modifications, and improvements to ST products and/or to this document at any time without notice. Purchasers should obtain the latest relevant information on ST products before placing orders. ST products are sold pursuant to ST's terms and conditions of sale in place at the time of order acknowledgement.

Purchasers are solely responsible for the choice, selection, and use of ST products and ST assumes no liability for application assistance or the design of Purchasers' products.

No license, express or implied, to any intellectual property right is granted by ST herein.

Resale of ST products with provisions different from the information set forth herein shall void any warranty granted by ST for such product.

ST and the ST logo are trademarks of ST. All other product or service names are the property of their respective owners.

Information in this document supersedes and replaces information previously supplied in any prior versions of this document.

© 2018 STMicroelectronics – All rights reserved