

260-Pin BGA
Com & Ind Temp
HSTL I/O

144Mb SigmaQuad-IVe™ Burst of 2 Single-Bank ECCRAM™

Up to 933 MHz
1.25V ~ 1.3V V_{DD}
1.2V ~ 1.3V V_{DDQ}

Features

- 4Mb x 36 and 8Mb x 18 organizations available
- Organized as a single logical memory bank
- 933 MHz maximum operating frequency
- 1.866 BT/s peak transaction rate (in billions per second)
- 134 Gb/s peak data bandwidth (in x36 devices)
- Separate I/O DDR Data Buses
- Non-multiplexed DDR Address Bus
- Two operations - Read and Write - per clock cycle
- No address/bank restrictions on Read and Write ops
- Burst of 2 Read and Write operations
- 5 cycle Read Latency
- On-chip ECC with virtually zero SER
- Loopback signal timing training capability
- 1.25V ~ 1.3V nominal core voltage
- 1.2V ~ 1.3V HSTL I/O interface
- Configuration registers
- Configurable ODT (on-die termination)
- ZQ pin for programmable driver impedance
- ZT pin for programmable ODT impedance
- IEEE 1149.1 JTAG-compliant Boundary Scan
- 260-pin, 14 mm x 22 mm, 1 mm ball pitch, 6/6 RoHS-compliant BGA package

SigmaQuad-IVe™ Family Overview

SigmaQuad-IVe ECCRAMs are the Separate I/O half of the SigmaQuad-IVe/SigmaDDR-IVe family of high performance ECCRAMs. Although similar to GSI's third generation of networking SRAMs (the SigmaQuad-IIIe/SigmaDDR-IIIe family), these fourth generation devices offer several new features that help enable significantly higher performance.

Clocking and Addressing Schemes

The GS81314LQ19/37GK SigmaQuad-IVe ECCRAMs are synchronous devices. They employ three pairs of positive and negative input clocks; one pair of master clocks, CK and $\overline{\text{CK}}$, and two pairs of write data clocks, KD[1:0] and $\overline{\text{KD}}[1:0]$. All six input clocks are single-ended; that is, each is received by a dedicated input buffer.

CK and $\overline{\text{CK}}$ are used to latch address and control inputs, and to control all output timing. KD[1:0] and $\overline{\text{KD}}[1:0]$ are used solely to latch data inputs.

Each internal read and write operation in a SigmaQuad-IVe B2 ECCRAM is two times wider than the device I/O bus. An input data bus de-multiplexer is used to accumulate incoming data before it is simultaneously written to the memory array. An output data multiplexer is used to capture the data produced from a single memory array read and then route it to the appropriate output drivers as needed. Therefore, the address field of a SigmaQuad-IVe B2 ECCRAM is always one address pin less than the advertised index depth (e.g. the 8M x 18 has 4M addressable index).

On-Chip Error Correction Code

GSI's ECCRAMs implement an ECC algorithm that detects and corrects all single-bit memory errors, including those induced by SER events such as cosmic rays, alpha particles, etc. The resulting Soft Error Rate of these devices is anticipated to be <0.002 FITs/Mb — a 5-order-of-magnitude improvement over comparable SRAMs with no on-chip ECC, which typically have an SER of 200 FITs/Mb or more.

All quoted SER values are at sea level in New York City.

Parameter Synopsis

Speed Grade	Max Operating Frequency	Read Latency	V _{DD}
-933	933 MHz	5 cycles	1.25V to 1.35V
-800	800 MHz	5 cycles	1.2V to 1.35V

8M x 18 Pinout (Top View)

	1	2	3	4	5	6	7	8	9	10	11	12	13
A	V _{DD}	V _{DDQ}	V _{DD}	V _{DDQ}	NC (RSVD)	MCH (CFG)	MRW	ZQ	PZT1	V _{DDQ}	V _{DD}	V _{DDQ}	V _{DD}
B	V _{SS}	NU _O	V _{SS}	NU _I	MCL	MCL (B4M)	NC (RSVD)	MCH (SIOM)	PZT0	D0	V _{SS}	Q0	V _{SS}
C	Q17	V _{DDQ}	D17	V _{DDQ}	V _{SS}	SA13	V _{DD}	SA14	V _{SS}	V _{DDQ}	NU _I	V _{DDQ}	NU _O
D	V _{SS}	NU _O	V _{SS}	NU _I	SA19	V _{DDQ}	NC (288 Mb)	V _{DDQ}	SA20	D1	V _{SS}	Q1	V _{SS}
E	Q16	V _{DDQ}	D16	V _{DD}	V _{SS}	SA11	V _{SS}	SA12	V _{SS}	V _{DD}	NU _I	V _{DDQ}	NU _O
F	V _{SS}	NU _O	V _{SS}	NU _I	SA17	V _{DD}	V _{DDQ}	V _{DD}	SA18	D2	V _{SS}	Q2	V _{SS}
G	Q15	NU _O	D15	NU _I	V _{SS}	SA9	MZT1	SA10	V _{SS}	D3	NU _I	Q3	NU _O
H	Q14	V _{DDQ}	D14	V _{DDQ}	SA15	V _{DDQ}	\bar{W}	V _{DDQ}	SA16	V _{DDQ}	NU _I	V _{DDQ}	NU _O
J	V _{SS}	NU _O	V _{SS}	NU _I	V _{SS}	SA7	V _{SS}	SA8	V _{SS}	D4	V _{SS}	Q4	V _{SS}
K	CQ1	V _{DDQ}	V _{REF}	V _{DD}	KD1	V _{DD}	CK	V _{DD}	KD0	V _{DD}	V _{REF}	V _{DDQ}	CQ0
L	$\overline{CQ1}$	V _{SS}	QVLD1	V _{SS}	$\overline{KD1}$	V _{DDQ}	\overline{CK}	V _{DDQ}	$\overline{KD0}$	V _{SS}	QVLD0	V _{SS}	$\overline{CQ0}$
M	V _{SS}	Q13	V _{SS}	D13	V _{SS}	SA5	V _{SS}	SA6	V _{SS}	NU _I	V _{SS}	NU _O	V _{SS}
N	NU _O	V _{DDQ}	NU _I	V _{DDQ}	PLL	V _{DDQ}	\bar{R}	V _{DDQ}	MCL	V _{DDQ}	D5	V _{DDQ}	Q5
P	NU _O	Q12	NU _I	D12	V _{SS}	SA3	MZT0	SA4	V _{SS}	NU _I	D6	NU _O	Q6
R	V _{SS}	Q11	V _{SS}	D11	MCH	V _{DD}	V _{DDQ}	V _{DD}	RST	NU _I	V _{SS}	NU _O	V _{SS}
T	NU _O	V _{DDQ}	NU _I	V _{DD}	V _{SS}	SA1	V _{SS}	SA2	V _{SS}	V _{DD}	D7	V _{DDQ}	Q7
U	V _{SS}	Q10	V _{SS}	D10	NC (576 Mb)	V _{DDQ}	NC (RSVD)	V _{DDQ}	NC (1152 Mb)	NU _I	V _{SS}	NU _O	V _{SS}
V	NU _O	V _{DDQ}	NU _I	V _{DDQ}	V _{SS}	SA21 (x18)	V _{DD}	SA0 (B2)	V _{SS}	V _{DDQ}	D8	V _{DDQ}	Q8
W	V _{SS}	Q9	V _{SS}	D9	TCK	MCL	RCS	MCL	TMS	NU _I	V _{SS}	NU _O	V _{SS}
Y	V _{DD}	V _{DDQ}	V _{DD}	V _{DDQ}	TDO	ZT	NC (RSVD)	MCL	TDI	V _{DDQ}	V _{DD}	V _{DDQ}	V _{DD}

Notes:

1. Pins 5B, 6W, 8W, 8Y, and 9N must be tied Low in this device.
2. Pin 5R must be tied High in this device.
3. Pin 6A is defined as mode pin CFG in the pinout standard. It must be tied High in this device to select x18 configuration.
4. Pin 6B is defined as mode pin B4M in the pinout standard. It must be tied Low in this device to select Burst-of-2 configuration.
5. Pin 8B is defined as mode pin SIOM in the pinout standard. It must be tied High in this device to select Separate I/O configuration.
6. Pin 6V is defined as address pin SA for x18 devices. It is used in this device.
7. Pin 8V is defined as address pin SA for B2 devices. It is used in this device.
8. Pin 7D is reserved as address pin SA for 288 Mb devices. It is a true no connect in this device.
9. Pin 5U is reserved as address pin SA for 576 Mb devices. It is a true no connect in this device.
10. Pin 9U is reserved as address pin SA for 1152 Mb devices. It is a true no connect in this device.

4M x 36 Pinout (Top View)

	1	2	3	4	5	6	7	8	9	10	11	12	13
A	V _{DD}	V _{DDQ}	V _{DD}	V _{DDQ}	NC (RSVD)	MCL (CFG)	MRW	ZQ	PZT1	V _{DDQ}	V _{DD}	V _{DDQ}	V _{DD}
B	V _{SS}	Q35	V _{SS}	D35	MCL	MCL (B4M)	NC (RSVD)	MCH (SIOM)	PZT0	D0	V _{SS}	Q0	V _{SS}
C	Q26	V _{DDQ}	D26	V _{DDQ}	V _{SS}	SA13	V _{DD}	SA14	V _{SS}	V _{DDQ}	D9	V _{DDQ}	Q9
D	V _{SS}	Q34	V _{SS}	D34	SA19	V _{DDQ}	NC (288 Mb)	V _{DDQ}	SA20	D1	V _{SS}	Q1	V _{SS}
E	Q25	V _{DDQ}	D25	V _{DD}	V _{SS}	SA11	V _{SS}	SA12	V _{SS}	V _{DD}	D10	V _{DDQ}	Q10
F	V _{SS}	Q33	V _{SS}	D33	SA17	V _{DD}	V _{DDQ}	V _{DD}	SA18	D2	V _{SS}	Q2	V _{SS}
G	Q24	Q32	D24	D32	V _{SS}	SA9	MZT1	SA10	V _{SS}	D3	D11	Q3	Q11
H	Q23	V _{DDQ}	D23	V _{DDQ}	SA15	V _{DDQ}	\bar{W}	V _{DDQ}	SA16	V _{DDQ}	D12	V _{DDQ}	Q12
J	V _{SS}	Q31	V _{SS}	D31	V _{SS}	SA7	V _{SS}	SA8	V _{SS}	D4	V _{SS}	Q4	V _{SS}
K	CQ1	V _{DDQ}	V _{REF}	V _{DD}	KD1	V _{DD}	CK	V _{DD}	KD0	V _{DD}	V _{REF}	V _{DDQ}	CQ0
L	$\overline{CQ1}$	V _{SS}	QVLD1	V _{SS}	$\overline{KD1}$	V _{DDQ}	\overline{CK}	V _{DDQ}	$\overline{KD0}$	V _{SS}	QVLD0	V _{SS}	$\overline{CQ0}$
M	V _{SS}	Q22	V _{SS}	D22	V _{SS}	SA5	V _{SS}	SA6	V _{SS}	D13	V _{SS}	Q13	V _{SS}
N	Q30	V _{DDQ}	D30	V _{DDQ}	PLL	V _{DDQ}	\bar{R}	V _{DDQ}	MCL	V _{DDQ}	D5	V _{DDQ}	Q5
P	Q29	Q21	D29	D21	V _{SS}	SA3	MZT0	SA4	V _{SS}	D14	D6	Q14	Q6
R	V _{SS}	Q20	V _{SS}	D20	MCH	V _{DD}	V _{DDQ}	V _{DD}	RST	D15	V _{SS}	Q15	V _{SS}
T	Q28	V _{DDQ}	D28	V _{DD}	V _{SS}	SA1	V _{SS}	SA2	V _{SS}	V _{DD}	D7	V _{DDQ}	Q7
U	V _{SS}	Q19	V _{SS}	D19	NC (576 Mb)	V _{DDQ}	NC (RSVD)	V _{DDQ}	NC (1152 Mb)	D16	V _{SS}	Q16	V _{SS}
V	Q27	V _{DDQ}	D27	V _{DDQ}	V _{SS}	NU ₁ (x18)	V _{DD}	SA ₀ (B2)	V _{SS}	V _{DDQ}	D8	V _{DDQ}	Q8
W	V _{SS}	Q18	V _{SS}	D18	TCK	MCL	RCS	MCL	TMS	D17	V _{SS}	Q17	V _{SS}
Y	V _{DD}	V _{DDQ}	V _{DD}	V _{DDQ}	TDO	ZT	NC (RSVD)	MCL	TDI	V _{DDQ}	V _{DD}	V _{DDQ}	V _{DD}

Notes:

1. Pins 5B, 6W, 8W, 8Y, and 9N must be tied Low in this device.
2. Pin 5R must be tied High in this device.
3. Pin 6A is defined as mode pin CFG in the pinout standard. It must be tied Low in this device to select x36 configuration.
4. Pin 6B is defined as mode pin B4M in the pinout standard. It must be tied Low in this device to select Burst-of-2 configuration.
5. Pin 8B is defined as mode pin SIOM in the pinout standard. It must be tied High in this device to select Separate I/O configuration.
6. Pin 6V is defined as address pin SA for x18 devices. It is unused in this device, and must be left unconnected or driven Low.
7. Pin 8V is defined as address pin SA for B2 devices. It is used in this device.
8. Pin 7D is reserved as address pin SA for 288 Mb devices. It is a true no connect in this device.
9. Pin 5U is reserved as address pin SA for 576 Mb devices. It is a true no connect in this device.
10. Pin 9U is reserved as address pin SA for 1152 Mb devices. It is a true no connect in this device.

Pin Description

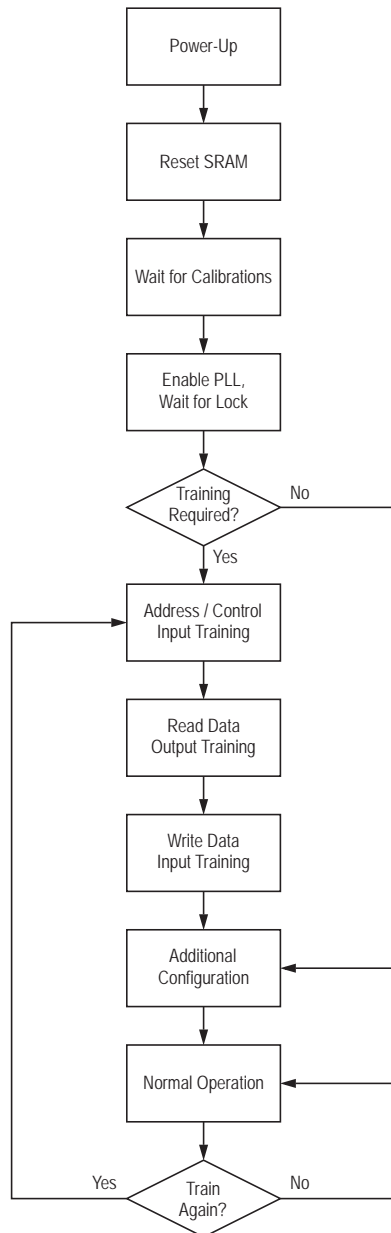
Symbol	Description	Type
SA[21:0]	Address — Read address is registered on $\uparrow\text{CK}$ and write address is registered on $\uparrow\overline{\text{CK}}$.	Input
D[35:0]	Write Data — Registered on $\uparrow\text{KD}$ and $\uparrow\overline{\text{KD}}$ during Write operations. D[17:0] - x18 and x36. D[35:18] - x36 only.	Input
Q[35:0]	Read Data — Aligned with $\uparrow\text{CQ}$ and $\uparrow\overline{\text{CQ}}$ during Read operations. Q[17:0] - x18 and x36. Q[35:18] - x36 only.	Output
QVLD[1:0]	Read Data Valid — Driven high one half cycle before valid read data.	Output
CK, $\overline{\text{CK}}$	Primary Input Clocks — Dual single-ended. Used for latching address and control inputs, for internal timing control, and for output timing control.	Input
KD[1:0], $\overline{\text{KD}}$ [1:0]	Write Data Input Clocks — Dual single-ended. Used for latching write data inputs. KD0, $\overline{\text{KD}}$ 0: latch D[17:0] in x36, and D[8:0] in x18. KD1, $\overline{\text{KD}}$ 1: latch D[35:18] in x36, and D[17:9] in x18.	Input
CQ[1:0], $\overline{\text{CQ}}$ [1:0]	Read Data Output Clocks — Free-running output (echo) clocks, tightly aligned with read data outputs. Facilitate source-synchronous operation. CQ0, $\overline{\text{CQ}}$ 0: align with Q[17:0] in x36, and Q[8:0] in x18. CQ1, $\overline{\text{CQ}}$ 1: align with Q[35:18] in x36, and Q[17:9] in x18.	Output
$\overline{\text{R}}$	Read Enable — Registered on $\uparrow\text{CK}$. See the Clock Truth Table for functionality.	Input
$\overline{\text{W}}$	Write Enable — Registered on $\uparrow\text{CK}$. See the Clock Truth Table for functionality.	Input
MRW	Mode Register Write — Registered on $\uparrow\text{CK}$. Can be used synchronously or asynchronously to enable Register Write Mode. See the State and Clock Truth Tables for functionality.	Input
PLL	PLL Enable — Weakly pulled High internally. PLL = 0: disables internal PLL. PLL = 1: enables internal PLL.	Input
RST	Reset — Holds the device inactive and resets the device to its initial power-on state when asserted High. Weakly pulled Low internally.	Input
ZQ	Driver Impedance Control Resistor Input — Must be connected to V_{SS} through an external resistor RQ to program driver impedance.	Input
ZT	ODT Impedance Control Resistor Input — Must be connected to V_{SS} through an external resistor RT to program ODT impedance.	Input
RCS	Current Source Resistor Input — Must be connected to V_{SS} through an external 2K Ω resistor to provide an accurate current source for the PLL.	Input

Symbol	Description	Type
MZT[1:0]	<p>ODT Mode Select — Set the default ODT state globally for all input groups during power-up and reset. Must be tied High or Low.</p> <p>MZT[1:0] = 00: disables ODT on all input groups, regardless of PZT[1:0].</p> <p>MZT[1:0] = 01: enables strong ODT on select input groups, as specified by PZT[1:0].</p> <p>MZT[1:0] = 10: enables weak ODT on select input groups, as specified by PZT[1:0].</p> <p>MZT[1:0] = 11: reserved.</p> <p>Note: The ODT state for each input group can be changed at any time via the Configuration Registers.</p>	Input
PZT[1:0]	<p>ODT Configuration Select — Set the default ODT state for various combinations of input groups during power-up and reset, when MZT[1:0] = 01 or 10. Must be tied High or Low.</p> <p>PZT[1:0] = 00: enables ODT on write data only.</p> <p>PZT[1:0] = 01: enables ODT on write data and input clocks.</p> <p>PZT[1:0] = 10: enables ODT on write data, address, and control.</p> <p>PZT[1:0] = 11: enables ODT on write data, input clocks, address, and control.</p> <p>Note: The ODT state for each input group can be changed at any time via the Configuration Registers.</p>	Input
V _{DD}	Core Power Supply	—
V _{DDQ}	I/O Power Supply	—
V _{REF}	Input Reference Voltage — Input buffer reference voltage.	—
V _{SS}	Ground	—
TCK	JTAG Clock — Weakly pulled Low internally.	Input
TMS	JTAG Mode Select — Weakly pulled High internally.	Input
TDI	JTAG Data Input — Weakly pulled High internally.	Input
TDO	JTAG Data Output	Output
MCH	Must Connect High — May be tied to V _{DDQ} directly or via a 1kΩ resistor.	Input
MCL	Must Connect Low — May be tied to V _{SS} directly or via a 1kΩ resistor.	Input
NC	No Connect — There is no internal chip connection to these pins. They may be left unconnected, or tied/driven High or Low.	—
NU _I	Not Used Input — There is an internal chip connection to these input pins, but they are unused by the device. They are pulled Low internally. They may be left unconnected or tied/driven Low. They should not be tied/driven High.	Input
NU _O	Not Used Output — There is an internal chip connection to these output pins, but they are unused by the device. The drivers are tri-stated internally. They should be left unconnected.	Output

Initialization Summary

Prior to functional use, these devices must first be initialized and configured. The steps described below will ensure that the internal logic has been properly reset, and that functional timing parameters have been configured appropriately.

Flow Chart



Notes:

1. MZT[1:0] and PZT[1:0] mode pins are used to set the default ODT state of all input groups at power-up, and whenever RST is asserted High. The ODT state for each input group can be changed any time thereafter using Register Write Mode to program certain bits in the Configuration Registers.
2. Calibrations are performed for driver impedance, ODT impedance, and the PLL current source immediately after RST is de-asserted Low. The calibrations can take up to 384K cycles total. See the Power-Up and Reset Requirements section for more information.
3. The PLL can be enabled by the PLL pin, or by the PLL Enable (PLE) bit in the Configuration Registers. See the PLL Operation section for more information.
4. If the PLE register bit is used to enable the PLL, then Register Write Mode will likely have to be utilized in the "Asynchronous, Pre-Input Training" method in order to change the state of the bit, since Address / Control Input Training has not yet been performed. See the Configuration Registers section for more information.
5. It can take up to 64K cycles for the PLL to lock after it has been enabled.
6. Special Loopback Modes are available in these devices to perform Address / Control Input Training; they are selected and enabled via the Loopback Mode Select (LBK[1:0]) and Loopback Mode Enable (LBKE) bits in the Configuration Registers.
7. If Loopback Modes are used to perform Address / Control Input Training, then Register Write Mode will likely have to be utilized in the "Asynchronous, Pre-Input Training" method in order to change the states of the LBK[1:0] and LBKE register bits.
8. Loopback Modes can also be used for Read Data Output Training, if desired. See the Signal Timing Training and Loopback Mode sections for more information.
9. "Additional Configuration" includes programming the Read Latency to 5 cycles (which is required by these devices), and any other configuration changes required by the system. Since this step is performed after Address / Control Input Training, Register Write Mode can be utilized in the "Asynchronous, Post-Input Training" method (or perhaps the "Synchronous" method, if the synchronous timing requirements can be met at the particular operating frequency).
10. It is up to the system to determine if/when re-training is necessary.

Power-Up and Reset Requirements

For reliability purposes, power supplies must power up simultaneously, or in the following sequence:

V_{SS} , V_{DD} , V_{DDQ} , V_{REF} and inputs.

Power supplies must power down simultaneously, or in the reverse sequence.

After power supplies power up, the following start-up sequence must be followed.

Step 1: Assert RST High for at least 1ms.

While RST is asserted high:

- The PLL is disabled.
- The states of \overline{R} , \overline{W} , and MRW control inputs are ignored.

Note: If possible, RST should be asserted High before input clocks begin toggling, and remain asserted High until input clocks are stable and toggling within specification, in order to prevent unstable, out-of-spec input clocks from causing trouble in the SRAM.

Step 2: Begin toggling input clocks.

After input clocks begin toggling, but not necessarily within specification:

- Q are placed in the non-Read state, and remain so until the first Read operation.
- QVLD are driven Low, and remain so until the first Read operation.
- CQ, \overline{CQ} begin toggling, but not necessarily within specification.

Step 3: Wait until input clocks are stable and toggling within specification.

Step 4: De-assert RST Low.

Step 5: Wait at least 384K (393,216) cycles.

During this time:

- Driver and ODT impedances are calibrated. Can take up to 320K cycles.
- The current source for the PLL is calibrated (based on RCS pin). Can take up to 64K cycles.

Step 6: Enable the PLL.

Step 7: Wait at least 64K (65,536) cycles for the PLL to lock.

After the PLL has locked:

- CQ, \overline{CQ} begin toggling within specification.

Step 8: Continue initialization (see the Initialization Flow Chart).

Reset Usage

Although not generally recommended, RST may be asserted High at any time after completion of the initial power-up sequence described above, to reset the SRAM control logic to its initial power-on state. However, whenever RST is subsequently de-asserted Low, as in step 4 above, steps 5~7 above must be followed before normal operation is resumed. It is up to the system to determine whether further re-initialization beyond step 7 (as outlined in the Initialization Flow Chart) is required before normal operation is resumed.

Note: Memory array content may be perturbed/corrupted when RST is asserted High.

PLL Operation

A PLL is implemented in these devices to control all output timing. It uses the CK input clock as a source, and is enabled when all of the following conditions are met:

1. RST is de-asserted Low, and
2. Either the PLL Enable pin (PLL) or the PLL Enable register bit (PLE) is asserted High, and
3. CK cycle time $\leq t_{KHKH}$ (max), as specified in the AC Timing Specifications section.

Once enabled, the PLL requires 64K stable clock cycles in order to lock/synchronize properly.

When the PLL is enabled, it aligns output clocks and read data to input clocks (with some fixed delay), and it generates all mid-cycle output timing. See the Output Timing section for more information.

The PLL can tolerate changes in input clock frequency due to clock jitter (i.e. such jitter will not cause the PLL to lose lock/synchronization), provided the cycle-to-cycle jitter does not exceed 200ps (see “ t_{KJITcc} ” in the AC Timing Specifications section for more information). However, the PLL must be resynchronized (i.e. disabled and then re-enabled) whenever the nominal input clock frequency is changed.

The PLL is disabled when any of the following conditions are met:

1. RST is asserted High, or
2. Both the PLL Enable pin (PLL) and the PLL Enable register bit (PLE) are deasserted Low, or
3. CK is stopped for at least 30ns, or CK cycle time ≥ 30 ns.

On-Chip Error Correction

These devices implement a single-error correct, single-error detect (SEC-SED) ECC algorithm (specifically, a Hamming Code) on each 18-bit data word transmitted in DDR fashion on each 9-bit data bus (i.e., transmitted on D/Q[8:0], D/Q[17:9], D/Q[26:18], and D/Q[35:27]). To accomplish this, 5 ECC parity bits (invisible to the user) are utilized per every 18 data bits (visible to the user). As such, these devices actually comprise 184Mb of memory, of which 144Mb are visible to the user.

The ECC algorithm cannot detect multi-bit errors. However, these devices are architected in such a way that a single SER event very rarely causes a multi-bit error across any given “transmitted data unit”, where a “transmitted data unit” represents the data transmitted as the result of a single read or write operation to a particular address. The extreme rarity of multi-bit errors results in the SER mentioned previously (i.e., <0.002 FITs/Mb, measured at sea level).

Not only does the on-chip ECC significantly improve SER performance, but it can also free up the entire memory array for data storage. Very often SRAM applications allocate 1/9th of the memory array (i.e., one “error bit” per eight “data bits”, in any 9-bit “data byte”) for error detection (either simple parity error detection, or system-level ECC error detection and correction). Depending on the application, such error-bit allocation may be unnecessary in these devices, in which case the entire memory array can be utilized for data storage, effectively providing 12.5% greater storage capacity compared to SRAMs of the same density not equipped with on-chip ECC.

Configuration Registers

These devices utilize a set of registers for device configuration. The configuration registers are written via **Register Write Mode**, which is initiated by asserting MRW High and \bar{R} Low. When Register Write Mode is utilized, up to sixteen distinct 6-bit registers can be programmed using SDR timing on the SA[10:1] address input pins. The D data input pins are not used.

Note: Register Write Mode only provides the ability to write the configuration registers. The ability to read the configuration registers is provided via a private JTAG instruction and register. Please contact GSI for more information.

Register Write Mode can be utilized in two ways:

1. **Asynchronous Method:** MRW is driven asynchronously, such that it does not meet setup and hold time specs to $\uparrow\text{CK}$.
2. **Synchronous Method:** MRW is driven synchronously, such that it meets setup and hold time specs to $\uparrow\text{CK}$.

Regardless how Register Write Mode is utilized, at least 16 NOPs must be initiated before beginning a Register Write sequence, to ensure any previous Read and Write operations are completed before the sequence begins. And, at least 16 NOPs must be initiated after completing a Register Write sequence and before initiating Read and Write operations, and before utilizing Loopback Mode, to allow sufficient time for the newly programmed register settings to take effect.

Register Write Mode Utilization - Asynchronous Method

Register Write Mode can be utilized asynchronously up to the full operating speed of the device. When Register Write Mode is utilized asynchronously, there are two cases to consider:

1. **Pre Input Training:** SA[10:1], \bar{R} , \bar{W} are driven such that they do not meet setup and hold time specs to $\uparrow\text{CK}$.
2. **Post Input Training:** SA[10:1], \bar{R} , \bar{W} are driven such that they meet setup and hold time specs to $\uparrow\text{CK}$.

Each case is examined separately below.

Pre Input Training Requirements

In this case, MRW, \bar{R} , \bar{W} , and SA[10:1] are all driven asynchronously. When Register Write Mode is utilized in this manner, only one register can be programmed during any particular instance that MRW is asserted High.

The requirements for this usage case are as follows:

- At least 16 NOPs must be initiated before and after the Register Write sequence.
- MRW High must meet minimum pulse width requirements (tMRWPW).
- \bar{R} Low and SA[10:1] Valid must meet minimum setup time requirements (tMRWS) to MRW High.
- \bar{R} Low and SA[10:1] Valid must meet minimum hold time requirements (tMRWH) from MRW Low.
- \bar{W} High must also meet minimum setup time requirements (tMRWS) to MRW High, if inadvertent memory writes are to be prevented during the Register Write process. Otherwise, \bar{W} state is “don’t care”.
- \bar{W} High must also meet minimum hold time requirements (tMRWH) from MRW Low, if inadvertent memory writes are to be prevented during the Register Write process. Otherwise, \bar{W} state is “don’t care”.

Note: tMRWPW = tMRWS = tMRWH = 4 cycles (minimum).

Note: Inadvertent memory reads will occur while MRW and \bar{R} are Low during the Register Write process. The memory reads are harmless, and can be ignored.

Post Input Training Requirements

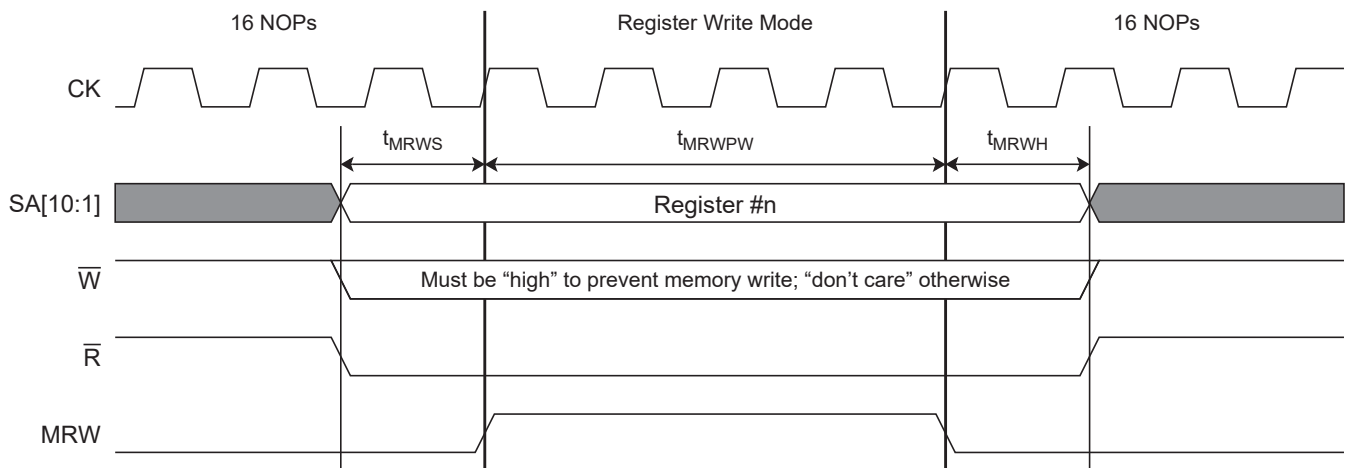
In this case, MRW is driven asynchronously, whereas \bar{R} , \bar{W} , and SA[10:1] are all driven synchronously (i.e. they all meet setup and hold time specs to $\uparrow\text{CK}$). When Register Write Mode is utilized in this manner, multiple registers can be programmed during any particular instance that MRW is asserted High. The timing diagrams below arbitrarily show four registers programmed while MRW is asserted High, but in practice it can be any number greater than or equal to one.

The requirements for this usage case are as follows:

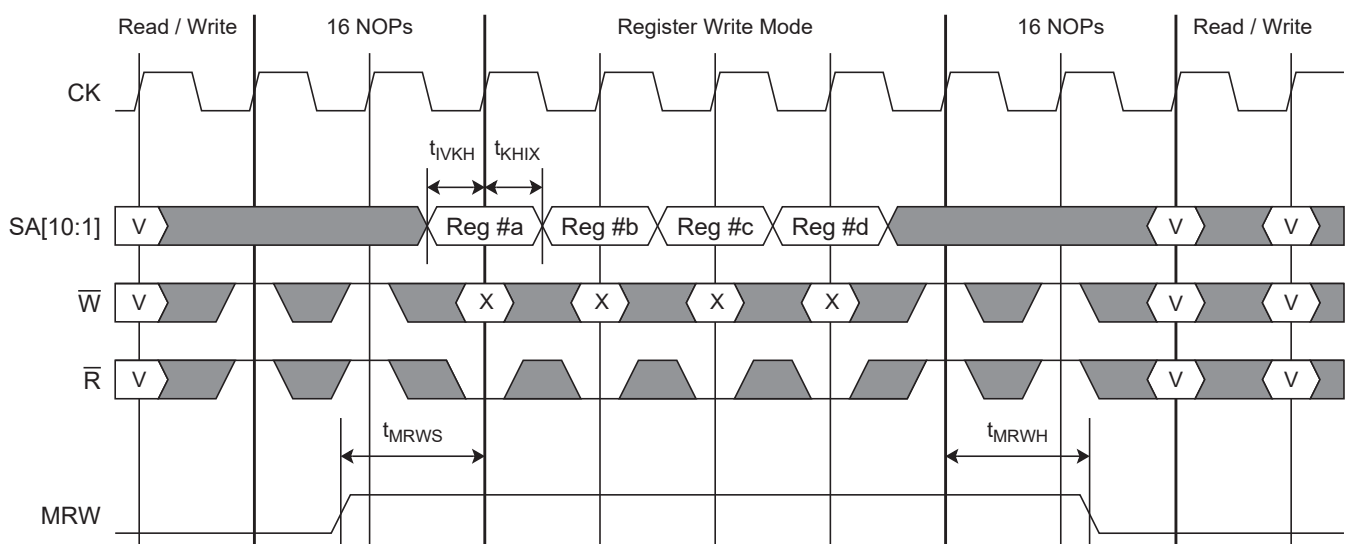
- At least 16 NOPs must be initiated before and after the Register Write(s).
- MRW High must meet minimum setup time requirements (t_{MRWS}) to the $\uparrow\text{CK}$ that generates the first Register Write.
- MRW High must meet minimum hold time requirements (t_{MRWH}) from the $\uparrow\text{CK}$ that generates the first NOP after the last Register Write.
- \bar{R} must be driven Low (synchronously) and SA[10:1] must be driven Valid (synchronously) for each Register Write.
- \bar{W} state is a “don’t care” (synchronously) for each Register Write.

Note: $t_{\text{MRWS}} = t_{\text{MRWH}} = 4$ cycles (minimum).

Asynchronous Register Write Timing Diagram - Pre Input Training



Asynchronous Register Write Timing Diagram - Post Input Training



Register Write Mode Utilization - Synchronous Method

Register Write Mode can also be utilized synchronously up to the full operating speed of the device. However, MRW cannot be trained using Loopback Mode, so the ability to use it synchronously may be limited to slower operating frequencies where the lack of training capability is less problematic for the user.

In this case, MRW, \bar{R} , \bar{W} , and SA[10:1] are all driven synchronously (i.e. they all meet setup and hold time specs to $\uparrow\text{CK}$). When Register Write Mode is utilized in this manner, multiple registers can be programmed in successive cycles. The timing diagrams below arbitrarily show four registers programmed in successive cycles, but in practice it can be any number greater than or equal to one.

The requirements for this usage case are as follows:

- At least 16 NOPs must be initiated before and after the Register Write(s).
- MRW must be driven High (synchronously), \bar{R} must be driven Low (synchronously), and SA[10:1] must be driven Valid (synchronously) for each Register Write.
- \bar{W} state is a “don’t care” (synchronously) for each Register Write.

Synchronous Register Write Timing Diagram



Register Description

As described previously, Register Write Mode provides the ability to program up to sixteen distinct 6-bit configuration registers using SDR timing on the SA[10:1] address input pins. Specifically, SA[4:1] are used to select one of the sixteen distinct registers, and SA[10:5] are used to program the six data bits of the selected register.

The registers are defined as follows:

Address	SA10	SA9	SA8	SA7	SA6	SA5	SA4	SA3	SA2	SA1	Reg #
Pin	8G	6G	8J	6J	8M	6M	8P	6P	8T	6T	
Bit Usage	Register Data Bits						Register Select Bits				
Active						RLM	0	0	0	0	0
Active			RSVD[2:0]			PLE	0	0	0	1	1
Active				LBK[1:0]		LBKE	0	0	1	0	2
Active	DZT[1:0]		KDZT[1:0]		CKZT[1:0]		0	0	1	1	3
Active			CZT[1:0]		AZT[1:0]		0	1	0	0	4
Unused							All Others except "111X"				5 ~ 13
Active	Reserved for GSI Internal Use Only						1	1	1	X	14 ~ 15

Notes:

- Unused/unlabeled register bits should be written to "0".
- The RSVD[2:0] bits in Register #1 should be written to "100".
- Registers #14 and #15 are reserved for GSI internal use only. Users should not access these registers.

Register Bit Definitions

Read Latency Select	
RLM	
0	Read Latency = 5 cycles
1	reserved
1	POR/RST Default

PLL Enable	
PLE	
0	Disable PLL, if PLL pin = 0
1	Enable PLL
0	POR/RST Default

Note: The power-on / reset default value of the RLM register bit is "1". Consequently, Register Write Mode must be used to set the RLM bit to "0", to program RL=5 in these devices, prior to issuing Read operations.

Loopback Mode Enable	
LBKE	
0	Disable Loopback Mode
1	Enable Loopback Mode
0	POR/RST Default

Loopback Mode Select		
LBK[1:0]		
0	0	XOR Loopback Mode, input group #1
0	1	XOR Loopback Mode, input group #2
1	0	INV Loopback Mode, input group #1
1	1	INV Loopback Mode, input group #2
0	0	POR/RST Default

Note: In the ODT Control register bit definitions below, MZT[1:0] and PZT[1:0] pins set the default state of the register bits at power-up and whenever RST is asserted High. The register bits can then be overwritten (via Register Write Mode), while RST is de-asserted Low, to change the state of the feature controlled by the register bits.

Input Clock ODT Control		
CKZT1	CKZT0	
KDZT1	KDZT0	
0	0	disabled
0	1	enabled: PU = PD = RT
1	0	enabled: PU = PD = 2*RT
1	1	reserved
00, if MZT[1:0] = 00 or PZT0 = 0 01, if MZT[1:0] = 01 and PZT0 = 1 10, if MZT[1:0] = 10 and PZT0 = 1 11, if MZT[1:0] = 11 and PZT0 = 1		POR/RST Default

Address & Control ODT Control		
AZT1	AZT0	
CZT1	CZT0	
0	0	disabled
0	1	enabled: PU = PD = RT
1	0	enabled: PU = PD = 2*RT
1	1	reserved
00, if MZT[1:0] = 00 or PZT1 = 0 01, if MZT[1:0] = 01 and PZT1 = 1 10, if MZT[1:0] = 10 and PZT1 = 1 11, if MZT[1:0] = 11 and PZT1 = 1		POR/RST Default

Write Data ODT Control		
DZT1	DZT0	
0	0	disabled
0	1	enabled: PU = PD = RT
1	0	enabled: PU = PD = 2*RT
1	1	reserved
00, if MZT[1:0] = 00 01, if MZT[1:0] = 01 10, if MZT[1:0] = 10 11, if MZT[1:0] = 11		POR/RST Default

Signal Timing Training

Signal timing training (aka “deskew”) is often required for reliable signal transmission between components at the I/O speeds supported by these devices. Typically, the timing training is performed in the following sequence:

Step 1: Address / Control input training.

These devices support a special Loopback Mode of operation to facilitate address / control input training.

Step 2: Read Data output training.

These devices support a special Loopback Mode of operation to facilitate read data output training.

Alternatively, slow-frequency Memory Write operations can be used to store DDR data patterns in the memory array reliably (full-frequency Memory Write operations cannot be used because write data signals have not been trained yet), and full-frequency Memory Read operations can then be used to train the read data output signals.

Step 3: Write Data input training.

Since address, control, and read data signals have already been trained at this point, full-frequency Memory Write and Read operations can then be used to train the write data inputs.

Loopback Mode

These devices support two distinct **Loopback Modes** of operation, which can be used to:

1. Perform per-pin training on the address (SA), control (\bar{R} , \bar{W}), and write data clock (KD, \overline{KD}) inputs.
2. Perform per-pin training on the read data (Q) outputs.

In both cases, SA, \bar{R} , \bar{W} , KD, \overline{KD} input pin values are sampled, logically manipulated, and looped back to Q output pins.

Register bit LBKE is used to enable/disable Loopback Mode. When LBKE = 1 and MRW = 0, Loopback Mode is enabled, and Memory Read and Write operations are blocked regardless of the states of \bar{R} and \bar{W} . When LBKE = 0 or MRW = 1, Loopback Mode is disabled. See the State Truth Table for more information.

Register bits LBK[1:0] are used to select between the two distinct Loopback Modes supported by the design (controlled by LBK1), and between the two groups of inputs used during the selected Loopback Mode (controlled by LBK0), as follows:

- LBK[1:0] = 00: selects XOR LBK Mode using Input Group 1. Loopback Mode “00”.
- LBK[1:0] = 01: selects XOR LBK Mode using Input Group 2. Loopback Mode “01”.
- LBK[1:0] = 10: selects INV LBK Mode using Input Group 1. Loopback Mode “10”.
- LBK[1:0] = 11: selects INV LBK Mode using Input Group 2. Loopback Mode “11”.

Note: For convenience, KD clocks have been included in the group of inputs that can be trained via Loopback Mode. However, the timing requirement for KD clocks is that their edges be tightly aligned to CK clock edges, unlike the timing requirement for address/control signals, whose edges must be centered (approximately) between CK edges in order to optimize setup and hold times to those CK edges. Consequently, it is questionable whether Loopback Mode can be used to train KD clocks effectively.

Loopback Latency

Loopback Latency (“LBKL”) - i.e. the number of cycles from when the inputs are sampled to when the proper result appears on the output pins, is equal to 7 cycles.

Enabling Loopback Mode

Loopback Mode is enabled as follows:

Step 1: Initiate a Register Write operation with SA[10:1] = “000ab1.0010” to select Register #2, set LBKE = 1 to enable Loopback Mode, and set LBK[1:0] to “ab” to select Loopback Mode “ab”.

Step 2: Wait 16 cycles for new register settings to take effect.

Loopback Mode “ab” is enabled after step 2 because MRW = 0, LBKE = 1, and LBK[1:0] = “ab”.

Changing Loopback Modes

Once enabled, Loopback Mode can be changed as follows

Step 1: Initiate a Register Write operation with SA[10:1] = “000cd1.0010” to select Register #2, keep LBKE = 1 to keep Loopback Mode enabled, and set LBK[1:0] to “cd” to select Loopback Mode “cd”.

Step 2: Wait 16 cycles for new register settings to take effect.

Loopback Mode “cd” is enabled after step 2 because MRW = 0, LBKE = 1, and LBK[1:0] = “cd”.

Disabling Loopback Mode

Loopback Mode is disabled as follows:

Step 1: Initiate a Register Write operation with SA[10:1] = “000xx0.0010” to select Register #2 and set LBKE = 0 to disable Loopback Mode.

Step 2: Wait 16 cycles for new register settings to take effect.

Loopback Mode is disabled after step 2 because LBKE = 0.

XOR LBK Mode

XOR LBK Mode is for *address/control input training*. It is defined as follows:

- Each input pin of the selected input group is sampled on $\uparrow\text{CK}$ and $\uparrow\overline{\text{CK}}$.
- For each input sampled, the value sampled on $\uparrow\text{CK}$ is XORed with the value sampled on $\uparrow\overline{\text{CK}}$.
- For each input sampled, the XOR result is subsequently driven out on its associated output pin (concurrently with $\uparrow\text{CQ}$) for one full clock cycle, beginning “LBKL” cycles after the input is sampled.

Consequently, the output data pattern is always SDR regardless of the input data pattern, and regardless whether the SRAM samples the inputs correctly or not. The SDR output data pattern enables address/control inputs to be trained before data outputs.

XOR LBK Mode enables the controller to input various SDR and DDR data patterns on a particular input, and then determine whether the SRAM sampled them correctly or not by observing SDR data patterns on the associated output. Via multiple iterations of this process, the controller can adjust its output timing (in order to adjust the SRAM input timing) until optimum setup and hold margin at both SRAM input sample points is achieved, thereby individually “training” each address/control input pin.

INV LBK Mode

INV LBK Mode is primarily for *read data output training*. It is defined as follows:

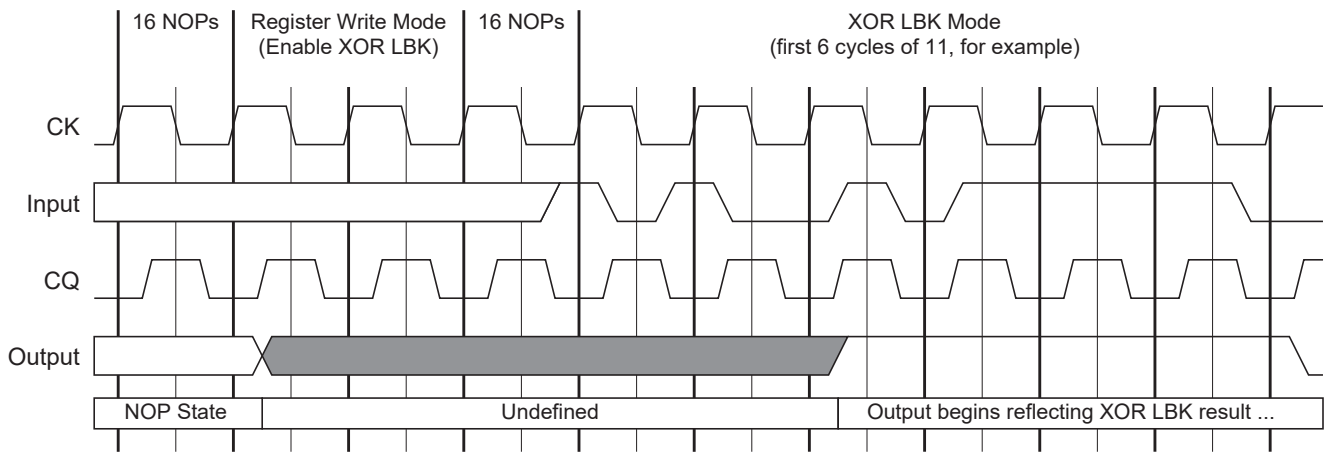
- Each input pin of the selected input group is sampled on $\uparrow\text{CK}$ and $\uparrow\overline{\text{CK}}$.
- For each input sampled, the value sampled on $\uparrow\text{CK}$ is subsequently driven out on its associated output pin (concurrently with $\uparrow\text{CQ}$) for half a clock cycle, beginning “LBKL” cycles after the input is sampled.
- For each input sampled, the value sampled on $\uparrow\overline{\text{CK}}$ is *inverted* and then subsequently driven out on its associated output pin (concurrently with $\uparrow\overline{\text{CQ}}$) for half a clock cycle, beginning “LBKL + 0.5” cycles after the input is sampled.

Consequently, the output data pattern is DDR if the input data pattern is SDR (and vice versa), provided the SRAM samples the inputs correctly. Therefore, to ensure deterministic output behavior, address/control inputs should be trained before data outputs.

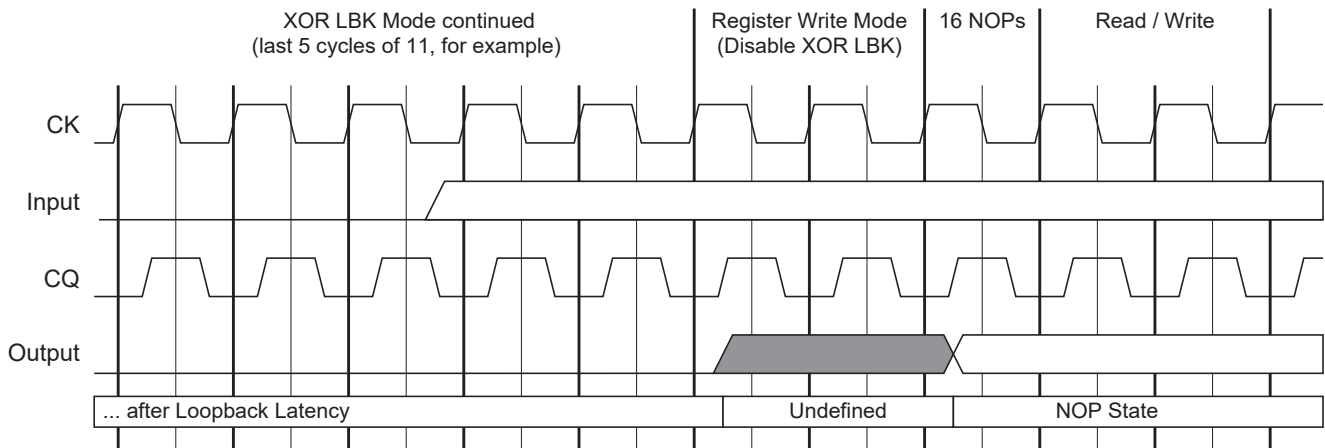
INV LBK Mode enables the controller to input various SDR (or DDR) data patterns on a particular input, to generate deterministic DDR (or SDR) data patterns on a particular output. The controller latches the output as it would during a normal Read operation, and verifies whether it received the expected values or not. Via multiple iterations of this process, the controller can adjust its input timing until optimum setup and hold margin at both controller input sample points is achieved, thereby individually “training” each read data output pin.

Note: INV LBK Mode can be used for address/control input training, if desired. However, such usage can be problematic because the output data pattern may be erroneous (i.e. it could be SDR or DDR regardless of the input pattern) if the SRAM samples the input incorrectly. In which case the controller may have difficulty detecting the erroneous behavior, and/or interpreting it.

Entering XOR LBK Mode

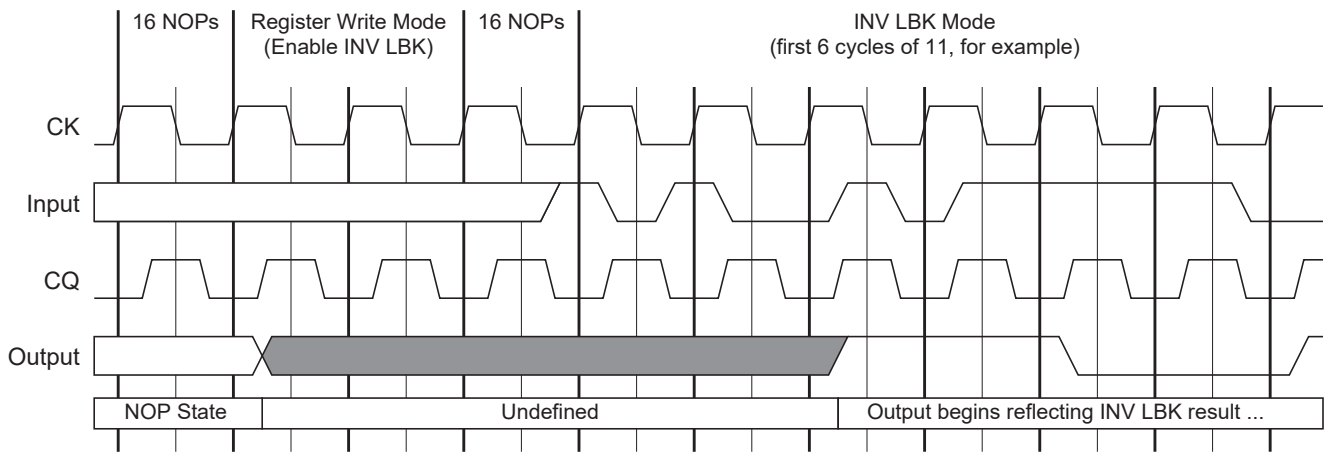


Exiting XOR LBK Mode

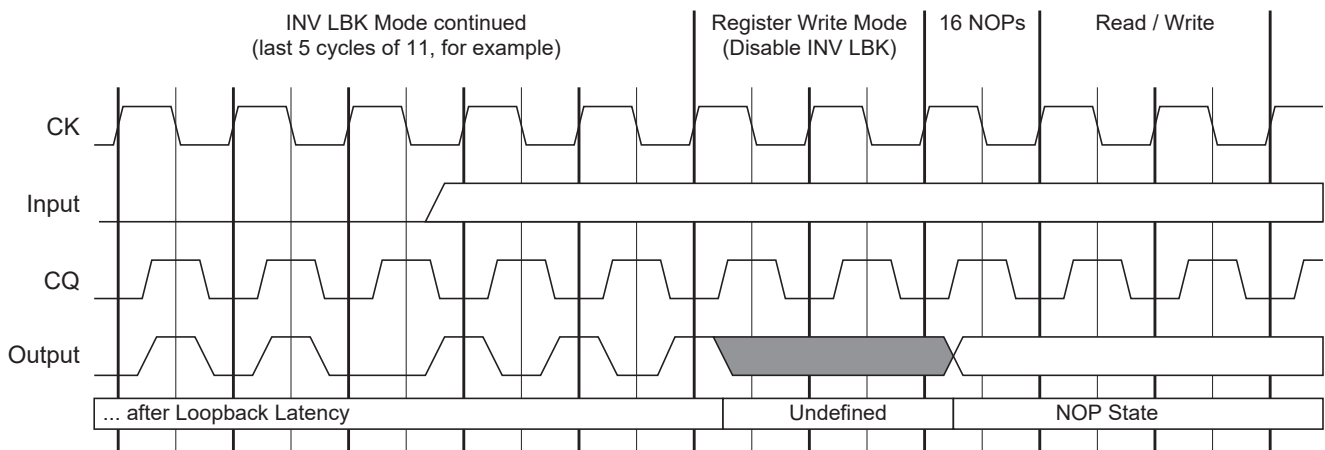


Note: “Input” represents any loop-backed input pin. “Output” represents the output pin on which “Input” is looped back.

Entering INV LBK Mode



Exiting INV LBK Mode



Note: "Input" represents any loop-backed input pin. "Output" represents the output pin on which "Input" is looped back.

Loopback Mode Input Group Definition and Input-to-Output Pin Mapping

Inputs are divided into 2 groups because there are up to 28 inputs to train (22 address, 2 control, and 4 KD clocks), but as few as 18 outputs available to loop them back to (in x18 devices).

There are 18 inputs per group - one per Q output in x18 devices, and one per two Q outputs in x36 devices.

Bit #	Input Pins		Input Signals		Output Pins		Output Signals		
	GP1	GP2	GP1	GP2	x18	x36	x18	x36	
1	8P	8V	SA4	SA0	13V	13V, 12W	Q8	Q8, Q17	Right Side Output Data Byte(s)
2	8M	8T	SA6	SA2	13T	13T, 12U	Q7	Q7, Q16	
3	8J	---	SA8	RSVD	13P	13P, 12R	Q6	Q6, Q15	
4	9H	9L	SA16	$\overline{KD0}$	13N	13N, 12P	Q5	Q5, Q14	
5	8G	9K	SA10	KD0	12J	12J, 12M	Q4	Q4, Q13	
6	9F	7H	SA18	\overline{W}	12G	12G, 13H	Q3	Q3, Q12	
7	8E	---	SA12	RSVD	12F	12F, 13G	Q2	Q2, Q11	
8	9D	---	SA20	RSVD	12D	12D, 13E	Q1	Q1, Q10	
9	8C	---	SA14	RSVD	12B	12B, 13C	Q0	Q0, Q9	
10	6T	---	SA1	RSVD	2W	2W, 1V	Q9	Q18, Q27	Left Side Output Data Byte(s)
11	6P	6V	SA3	SA21	2U	2U, 1T	Q10	Q19, Q28	
12	6M	---	SA5	RSVD	2R	2R, 1P	Q11	Q20, Q29	
13	6J	7N	SA7	\overline{R}	2P	2P, 1N	Q12	Q21, Q30	
14	5H	5L	SA15	$\overline{KD1}$	2M	2M, 2J	Q13	Q22, Q31	
15	6G	5K	SA9	KD1	1H	1H, 2G	Q14	Q23, Q32	
16	5F	---	SA17	RSVD	1G	1G, 2F	Q15	Q24, Q33	
17	6E	---	SA11	RSVD	1E	1E, 2D	Q16	Q25, Q34	
18	5D	6C	SA19	SA13	1C	1C, 2B	Q17	Q26, Q35	

Notes:

1. Blue shading indicates input pins that are unused (NU) in certain device configurations. During Loopback Mode, the associated output pins loop back the states of those input pins regardless whether they are used or unused.
2. Gray shading indicates Group 2 inputs that are reserved (RSVD) for future use. During Loopback Mode, the associated output pins act as if they were looping back input pins tied Low.
3. The 18 unused Q in x18 devices remain in their "NU" states during Loopback Mode.

Address Bus Utilization

The address bus is a non-multiplexed DDR bus. Up to two memory addresses may be loaded per cycle - a read address at $\uparrow\text{CK}$ and /or a write address at $\uparrow\overline{\text{CK}}$; consequently two memory operations - a Read and a Write - may be initiated per clock cycle. The address bus is also sampled at $\uparrow\text{CK}$ during a Register Write operation.

Address Bit Encoding

Command	Addr Load	Device	SA Address Bits																															
			21	20	19	18	17	16	15	14	13	12	11	10	9	8	7	6	5	4	3	2	1	0										
Read	$\uparrow\text{CK}$	x36	NU	Address																														
		x18	Address																															
Write	$\uparrow\overline{\text{CK}}$	x36	NU	Address																														
		x18	Address																															
Register Write	$\uparrow\text{CK}$	x36	NU	X	X	X	X	X	X	X	X	X	X	X	X	X	X	X	X	X	X	X	X	X	X	X	X							
		x18	X	X	X	X	X	X	X	X	X	X	X	X	X	X	X	X	X	X	X	X	X	X	X	X	X	X						

Read Latency

Read Latency (i.e. the number of cycles from read command input to first read data output) is specified as follows:

Read Latency	Comment
5 cycles	First read data output 5 cycles after read command input

Note: The RLM register bit must be written to “0” in these devices prior to initiating Read operations, to set Read Latency = 5 cycles.

Write Latency

Write Latency (i.e. the number of cycles from write command input to first write data input) is specified as follows:

Write Latency	Comment
0 cycles	First write data input concurrent with write command input

Read / Write Coherency

These devices are fully coherent. That is, Read operations always return the most recently written data to a particular address, even when a Read operation to a particular address occurs one cycle after a Write operation to the same address.

If a Read and Write operation are initiated to the same address in the same cycle, the Read operation returns the *previous* write data associated with a *previous* Write operation (which may have occurred as little as one cycle earlier), not the *current* write data associated with the *current* Write operation.

State Truth Table

RST	MRW	LBKE	\bar{R}	\bar{W}	SA	D	SRAM State	Q
1	X	X	X	X	X	X	Reset	NOP State
0	1	X	0	X	V	X	Register Write Mode	Undefined
0	0	1	X	X	X	X	Loopback Mode	Loopback
0	1	X	1	See Clock Truth Table			Memory Mode (Read, Write, NOP)	See Clock Truth Table
0	0	0	X					

Note: 1 = High; 0 = Low; V = Valid; X = don't care.

Clock Truth Table

SA		MRW	\bar{R}	\bar{W}	Current Operation	D		Q	
$\uparrow\text{CK}$ (t_n)	$\uparrow\bar{\text{CK}}$ ($t_{n+1/2}$)	$\uparrow\text{CK}$ (t_n)	$\uparrow\text{CK}$ (t_n)	$\uparrow\text{CK}$ (t_n)	(t_n)	$\uparrow\text{KD}$ (t_n)	$\uparrow\bar{\text{KD}}$ ($t_{n+1/2}$)	$\uparrow\text{CQ}$ (t_{n+5})	$\uparrow\bar{\text{CQ}}$ ($t_{n+5 1/2}$)
X	X	0	1	1	NOP	X	X	0	
X	V	0	1	0	Write Only	D1	D2	0	
V	X	0	0	1	Read Only	X	X	Q1	Q2
V	V	0	0	0	Read + Write	D1	D2	Q1	Q2
V	V	1	0	X	Register Write	X	X	Undefined	
V	V	1	1	X	NOP	X	X	0	

Notes:

- 1 = High; 0 = Low; V = Valid; X = don't care.
2. D1 and D2 indicate the first and second pieces of write data transferred during Write operations.
3. Q1 and Q2 indicate the first and second pieces of read data transferred during Read operations.
4. Q pins are driven Low for one cycle in response to NOP and Write Only commands, 5 cycles after the command is sampled.

Input Timing

These devices utilize three pairs of positive and negative input clocks, CK & $\overline{\text{CK}}$ and KD[1:0] & $\overline{\text{KD}}$ [1:0], to latch the various synchronous inputs. Specifically:

During Memory Mode, $\uparrow\text{CK}$ and $\uparrow\overline{\text{CK}}$ latch address (SA) inputs, and $\uparrow\text{CK}$ latches control ($\overline{\text{R}}$, $\overline{\text{W}}$, MRW) inputs.

During Register Write Mode, $\uparrow\text{CK}$ latches address and control inputs.

During Loopback Mode, $\uparrow\text{CK}$ and $\uparrow\overline{\text{CK}}$ latch address, control, and write data clock (KD, $\overline{\text{KD}}$) inputs.

During Memory Mode, $\uparrow\text{KD}$ [1:0] and $\uparrow\overline{\text{KD}}$ [1:0] latch particular write data (D) inputs, as follows:

- $\uparrow\text{KD0}$ and $\uparrow\overline{\text{KD0}}$ latch D[17:0] in x36 devices, and D[8:0] in x18 devices.
- $\uparrow\text{KD1}$ and $\uparrow\overline{\text{KD1}}$ latch D[35:18] in x36 devices, and D[17:9] in x18 devices.

Output Timing

These devices provide two pairs of positive and negative output clocks (aka “echo clocks”), CQ[1:0] & $\overline{\text{CQ}}$ [1:0], whose timing is tightly aligned with read data in order to enable reliable source-synchronous data transmission.

These devices utilize a PLL to control output timing. When the PLL is enabled, it generates 0° and 180° phase clocks from $\uparrow\text{CK}$ that control read data output clock (CQ, $\overline{\text{CQ}}$), read data (Q), and read data valid (QVLD) output timing, as follows:

- $\uparrow\text{CK}+0^\circ$ generates $\uparrow\text{CQ}$ [1:0], $\downarrow\overline{\text{CQ}}$ [1:0], Q1 active, and Q2 inactive.
- $\uparrow\text{CK}+180^\circ$ generates $\uparrow\overline{\text{CQ}}$ [1:0], $\downarrow\text{CQ}$ [1:0], Q1 inactive, Q2 active, and QVLD active/inactive.

Note: Q1 and Q2 indicate the first and second pieces of read data transferred in any given clock cycle during Read operations.

When the PLL is enabled, $\uparrow\text{CQ}$ is aligned to an internally-delayed version of $\uparrow\text{CK}$. See the AC Timing Specifications for more information.

$\uparrow\text{CQ}$ [1:0] and $\uparrow\overline{\text{CQ}}$ [1:0] align with particular Q and QVLD outputs, as follows:

- $\uparrow\text{CQ0}$ and $\uparrow\overline{\text{CQ0}}$ align with Q[17:0], QVLD0 in x36 devices, and Q[8:0], QVLD0 in x18 devices.
- $\uparrow\text{CQ1}$ and $\uparrow\overline{\text{CQ1}}$ align with Q[35:18], QVLD1 in x36 devices, and Q[17:9], QVLD0 in x18 devices.

Driver Impedance Control

Programmable Driver Impedance is implemented on the following output signals:

- CQ, $\overline{\text{CQ}}$, Q, QVLD.

Driver impedance is programmed by connecting an external resistor RQ between the ZQ pin and V_{SS}.

Driver impedance is set to the programmed value within 320K cycles after input clocks are operating within specification and RST is de-asserted Low. It is updated periodically thereafter to compensate for temperature and voltage fluctuations in the system.

Output Signal	Pull-Down Impedance (R _{OUTL})	Pull-Up Impedance (R _{OUTH})
CQ, $\overline{\text{CQ}}$, Q, QVLD	RQ*0.2 ± 15%	RQ*0.2 ± 15%

Notes:

1. R_{OUTL} and R_{OUTH} apply when 175Ω ≤ RQ ≤ 225Ω..
2. The mismatch between R_{OUTL} and R_{OUTH} is less than 10%, guaranteed by design.

ODT Impedance Control

Programmable ODT Impedance is implemented on the following input signals:

- CK, $\overline{\text{CK}}$, KD, $\overline{\text{KD}}$, SA, $\overline{\text{R}}$, $\overline{\text{W}}$, MRW, D.

ODT impedance is programmed by connecting an external resistor RT between the ZT pin and V_{SS}.

ODT impedance is set to the programmed value within 320K cycles after input clocks are operating within specification and RST is de-asserted Low. It is updated periodically thereafter to compensate for temperature and voltage fluctuations in the system.

Input Signal	Register Bits	Pull-Down Impedance (R _{INL})	Pull-Up Impedance (R _{INH})
CK, $\overline{\text{CK}}$	CKZT[1:0] = 00	off	off
	CKZT[1:0] = 01	RT ± 15%	RT ± 15%
	CKZT[1:0] = 10	RT*2 ± 20%	RT*2 ± 20%
	CKZT[1:0] = 11	reserved	reserved
KD, $\overline{\text{KD}}$	KDZT[1:0] = 00	off	off
	KDZT[1:0] = 01	RT ± 15%	RT ± 15%
	KDZT[1:0] = 10	RT*2 ± 20%	RT*2 ± 20%
	KDZT[1:0] = 11	reserved	reserved
SA	AZT[1:0] = 00	off	off
	AZT[1:0] = 01	RT ± 15%	RT ± 15%
	AZT[1:0] = 10	RT*2 ± 20%	RT*2 ± 20%
	AZT[1:0] = 11	reserved	reserved

Input Signal	Register Bits	Pull-Down Impedance (R_{INL})	Pull-Up Impedance (R_{INH})
\bar{R} , \bar{W} , MRW	CZT[1:0] = 00	off	off
	CZT[1:0] = 01	$RT \pm 15\%$	$RT \pm 15\%$
	CZT[1:0] = 10	$RT*2 \pm 20\%$	$RT*2 \pm 20\%$
	CZT[1:0] = 11	reserved	reserved
D	DZT[1:0] = 00	off	off
	DZT[1:0] = 01	$RT \pm 15\%$	$RT \pm 15\%$
	DZT[1:0] = 10	$RT*2 \pm 20\%$	$RT*2 \pm 20\%$
	DZT[1:0] = 11	reserved	reserved

Notes:

- R_{INL} and R_{INH} apply when $105\Omega \leq RT \leq 135\Omega$.
- The mismatch between R_{INL} and R_{INH} is less than 10%, guaranteed by design.
- All ODT is disabled during JTAG EXTEST and SAMPLE-Z instructions.

Note: When ODT impedance is enabled on a particular input, that input should always be driven High or Low; it should never be tri-stated (i.e., in a High- Z state). If the input is tri-stated, the ODT will pull the signal to $V_{DDQ} / 2$ (i.e., to the switch point of the diff-amp receiver), which could cause the receiver to enter a meta-stable state and consume more power than it normally would. This could result in the device's operating currents being higher.

Absolute Maximum Ratings

Parameter	Symbol	Rating	Units	Notes
Core Supply Voltage	V_{DD}	-0.3 to +1.4	V	
I/O Supply Voltage	V_{DDQ}	-0.3 to V_{DD}	V	
Input Voltage (HS)	V_{IN1}	-0.3 to $V_{DDQ} + 0.3$	V	2
	V_{IN2}	$V_{DDQ} - 1.5$ to +1.7		
Input Voltage (LS)	V_{IN3}	-0.3 to $V_{DDQ} + 0.3$	V	3
Maximum Junction Temperature	T_J	125	°C	
Storage Temperature	T_{STG}	-55 to 125	°C	

Notes:

- Permanent damage to the device may occur if the Absolute Maximum Ratings are exceeded. Operation should be restricted to Recommended Operating Conditions. Exposure to conditions exceeding the Recommended Operating Conditions for an extended period of time may affect reliability of this component.
- Parameters apply to High Speed Inputs: CK, \overline{CK} , KD, \overline{KD} , SA, D, \overline{R} , \overline{W} , MRW. V_{IN1} and V_{IN2} must both be met.
- Parameters apply to Low Speed Inputs: RST, PLL, MZT, PZT.

Recommended Operating Conditions

Parameter	Symbol	Min	Typ	Max	Units	Notes
Core Supply Voltage (-933 speed grade)	V_{DD}	1.25	1.3	1.35	V	
Core Supply Voltage (-800 speed grade)	V_{DD}	1.2	1.25	1.35	V	
I/O Supply Voltage	V_{DDQ}	1.15	1.2	V_{DD}	V	
Commercial Junction Temperature	T_{JC}	0	—	85	°C	
Industrial Junction Temperature	T_{JI}	-40	—	100	°C	

Note: For reliability purposes, power supplies must power up simultaneously, or in the following sequence:

V_{SS} , V_{DD} , V_{DDQ} , V_{REF} , and Inputs.

Power supplies must power down simultaneously, or in the reverse sequence.

Thermal Impedances

Package	θ_{JA} (C°/W) Airflow = 0 m/s	θ_{JA} (C°/W) Airflow = 1 m/s	θ_{JA} (C°/W) Airflow = 2 m/s	θ_{JB} (C°/W)	θ_{JC} (C°/W)
FBGA	13.67	10.28	9.31	3.08	0.13

I/O Capacitance

Parameter	Symbol	Min	Max	Units	Notes
Input Capacitance	C_{IN}	—	5.0	pF	1, 3
Output Capacitance	C_{OUT}	—	5.5	pF	2, 3

Notes:

- $V_{IN} = V_{DDQ}/2$.
- $V_{OUT} = V_{DDQ}/2$.
- $T_A = 25^\circ\text{C}$, $f = 1\text{ MHz}$.

Input Electrical Characteristics

Parameter	Symbol	Min	Typ	Max	Units	Notes
DC Input Reference Voltage	V_{REFdc}	$0.48 * V_{DDQ}$	$0.50 * V_{DDQ}$	$0.52 * V_{DDQ}$	V	—
DC Input High Voltage (HS)	V_{IH1dc}	$V_{REF} + 0.08$	$0.80 * V_{DDQ}$	$V_{DDQ} + 0.15$	V	1, 6
DC Input Low Voltage (HS)	V_{IL1dc}	-0.15	$0.20 * V_{DDQ}$	$V_{REF} - 0.08$	V	2, 6
DC Input High Voltage (LS)	V_{IH2dc}	$0.75 * V_{DDQ}$	V_{DDQ}	$V_{DDQ} + 0.15$	V	7
DC Input Low Voltage (LS)	V_{IL2dc}	-0.15	0	$0.25 * V_{DDQ}$	V	7
AC Input Reference Voltage	V_{REFac}	$0.47 * V_{DDQ}$	$0.50 * V_{DDQ}$	$0.53 * V_{DDQ}$	V	3
AC Input High Voltage (HS)	V_{IH1ac}	$V_{REF} + 0.15$	$0.80 * V_{DDQ}$	$V_{DDQ} + 0.25$	V	1, 4-6
AC Input Low Voltage (HS)	V_{IL1ac}	-0.25	$0.20 * V_{DDQ}$	$V_{REF} - 0.15$	V	2, 4-6
AC Input High Voltage (LS)	V_{IH2ac}	$V_{DDQ} - 0.2$	V_{DDQ}	$V_{DDQ} + 0.25$	V	4, 7
AC Input Low Voltage (LS)	V_{IL2ac}	-0.25	0	0.2	V	4, 7

Notes:

- "Typ" parameter applies when Controller $R_{OUTH} = 40\Omega$ and SRAM $R_{INH} = R_{INL} = 120\Omega$.
- "Typ" parameter applies when Controller $R_{OUTL} = 40\Omega$ and SRAM $R_{INH} = R_{INL} = 120\Omega$.
- V_{REFac} is equal to V_{REFdc} plus noise.
- V_{IH} max and V_{IL} min apply for pulse widths less than one-quarter of the cycle time.
- Input rise and fall times must be a minimum of 1V/ns, and within 10% of each other.
- Parameters apply to High Speed Inputs: CK, \overline{CK} , KD, \overline{KD} , SA, D, \overline{R} , \overline{W} , MRW.
- Parameters apply to Low Speed Inputs: RST, PLL, MZT, PZT.

Output Electrical Characteristics

Parameter	Symbol	Min	Typ	Max	Units	Notes
DC Output High Voltage	V_{OHdc}	—	$0.80 * V_{DDQ}$	$V_{DDQ} + 0.15$	V	1, 3
DC Output Low Voltage	V_{OLdc}	-0.15	$0.20 * V_{DDQ}$	—	V	2, 3
AC Output High Voltage	V_{OHac}	—	$0.80 * V_{DDQ}$	$V_{DDQ} + 0.25$	V	1, 3
AC Output Low Voltage	V_{OLac}	-0.25	$0.20 * V_{DDQ}$	—	V	2, 3

Note:

1. "Typ" parameter applies when SRAM $R_{OUTH} = 40\Omega$ and Controller $R_{INH} = R_{INL} = 120\Omega$.
2. "Typ" parameter applies when SRAM $R_{OUTL} = 40\Omega$ and Controller $R_{INH} = R_{INL} = 120\Omega$.
3. Parameters apply to: CQ, \overline{CQ} , Q, QVLD.

Leakage Currents

Parameter	Symbol	Min	Max	Units	Notes
Input Leakage Current	I_{L11}	-2	2	uA	1, 2
	I_{L12}	-20	2	uA	1, 3
	I_{L13}	-2	20	uA	1, 4
Output Leakage Current	I_{LO}	-2	2	uA	5, 6

Notes:

1. $V_{IN} = V_{SS}$ to V_{DDQ} .
2. Parameters apply to CK, \overline{CK} , KD, \overline{KD} , SA, D, \overline{R} , \overline{W} , MRW when ODT is disabled.
Parameters apply to MZT, PZT.
3. Parameters apply to PLL, TMS, TDI (weakly pulled up).
4. Parameters apply to RST, TCK (weakly pulled down).
5. $V_{OUT} = V_{SS}$ to V_{DDQ} .
6. Parameters apply to CQ, \overline{CQ} , Q, QVLD, TDO.

Operating Currents

Parameter	Symbol	V _{DD} (nom)	800 MHz	933 MHz	Units
x18 Operating Current	I _{DD}	1.3V	2050	2250	mA
		1.25V	1900	—	mA
x36 Operating Current	I _{DD}	1.3V	2700	2950	mA
		1.25V	2550	—	mA

Notes:

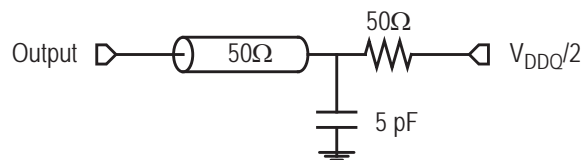
1. I_{OUT} = 0 mA; V_{IN} = V_{IH} or V_{IL}.
2. Applies at 100% Reads + Writes.

AC Test Conditions

Parameter	Symbol	Conditions	Units
Core Supply Voltage (-933 speed grade)	V _{DD}	1.25 to 1.35	V
Core Supply Voltage (-800 speed grade)	V _{DD}	1.2 to 1.35	V
I/O Supply Voltage	V _{DDQ}	1.15 to 1.25	V
Input Reference Voltage	V _{REF}	0.6	V
Input High Level	V _{IH}	0.9	V
Input Low Level	V _{IL}	0.3	V
Input Rise and Fall Time	—	2.0	V/ns
Input and Output Reference Level	—	0.6	V

Note: Output Load Conditions RQ = 200Ω. Refer to figure below.

AC Test Output Load



AC Timing Specifications (independent of device speed grade)

Parameter	Symbol	Min	Max	Units	Notes
Input Clock Timing					
Clk High Pulse Width	t_{KHKL}	0.45	—	cycles	1
Clk Low Pulse Width	t_{KLKH}	0.45	—	cycles	1
Clk High to $\overline{\text{Clk}}$ High	$t_{KH\overline{KH}}$	0.45	0.55	cycles	2
Clk High to Write Data Clk High	t_{KHKDH}	-200	+200	ps	3
Clk Cycle-to-Cycle Jitter	t_{KJITcc}	—	60	ps	1,4,5
PLL Lock Time	t_{Klock}	65,536	—	cycles	6
Clk Static to PLL Reset	t_{Kreset}	30	—	ns	7,12
Output Timing					
Clk High to Output Valid / Hold	$t_{KHQV/X}$	+0.4	+1.2	ns	8
Clk High to Echo Clock High	t_{KHCQH}	+0.4	+1.2	ns	9
Echo Clk High to Output Valid / Hold	$t_{CQHQV/X}$	-75	+75	ps	10,12
Echo Clk High to $\overline{\text{Echo Clock}}$ High	$t_{CQH\overline{CQH}}$	$0.5 \cdot t_{KHKH} (\text{nom}) - 25$	$0.5 \cdot t_{KHKH} (\text{nom}) + 25$	ps	11,12

Notes:

All parameters are measured from the mid-point of the object signal to the mid-point of the reference signal.

- Parameters apply to CK, $\overline{\text{CK}}$, KD, $\overline{\text{KD}}$.
- Parameter specifies $\uparrow\text{CK} \rightarrow \uparrow\overline{\text{CK}}$ and $\uparrow\overline{\text{KD}} \rightarrow \uparrow\text{KD}$ requirements.
- Parameter specifies $\uparrow\text{CK} \rightarrow \uparrow\text{KD}$ and $\uparrow\overline{\text{CK}} \rightarrow \uparrow\overline{\text{KD}}$ requirements.
- Parameter specifies *Cycle-to-Cycle (C2C) Jitter* (i.e. the maximum variation from clock rising edge to the next clock rising edge). As such, it limits *Period Jitter* (i.e. the maximum variation in clock cycle time from nominal) to $\pm 30\text{ps}$. And as such, it limits *Absolute Jitter* (i.e. the maximum variation in clock rising edge from its nominal position) to $\pm 15\text{ps}$.
- The device can tolerate C2C Jitter greater than 60ps, up to a maximum of 200ps. However, when using a device from a particular speed grade, $t_{KHKH} (\text{min})$ of that speed grade must be derated (increased) by half the difference between the actual C2C Jitter and 60ps. For example, if the actual C2C Jitter is 100ps, then $t_{KHKH} (\text{min})$ for the -933 speed grade is derated to 1.09ns ($1.07\text{ns} + 0.5 \cdot (100\text{ps} - 60\text{ps})$).
- V_{DD} slew rate must be $< 0.1\text{V DC per } 50\text{ns}$ for PLL lock retention. PLL lock time begins once V_{DD} and input clock are stable.
- Parameter applies to CK.
- Parameters apply to Q, and are referenced to $\uparrow\text{CK}$.
- Parameter specifies $\uparrow\text{CK} \rightarrow \uparrow\text{CQ}$ timing.
- Parameters apply to Q, QVLD and are referenced to $\uparrow\text{CQ}$ & $\uparrow\overline{\text{CQ}}$.
- Parameter specifies $\uparrow\text{CQ} \rightarrow \uparrow\overline{\text{CQ}}$ timing. $t_{KHKH} (\text{nom})$ is the nominal input clock cycle time applied to the device.
- Parameters are not tested. They are guaranteed by design, and verified through extensive corner-lot characterization.

AC Timing Specifications (variable with device speed grade)

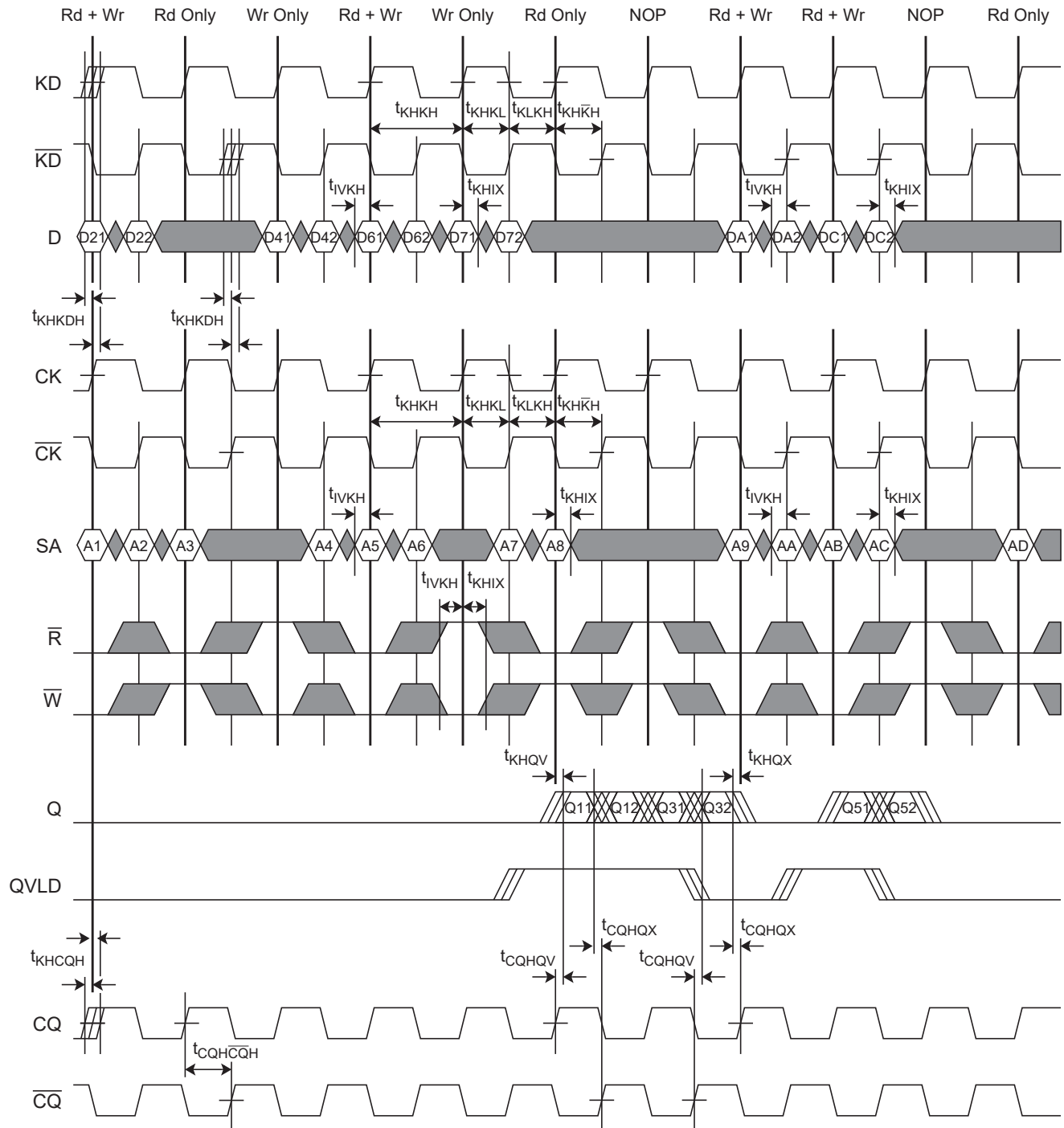
Parameter	Symbol	-933		-800		Units	Notes
		Min	Max	Min	Max		
Input Clock Timing							
Clk Cycle Time	t_{KHKH}	1.07	6.0	1.25	6.0	ns	1
Input Setup & Hold Timing							
Input Valid to Clk High	t_{IVKH}	150	—	150	—	ps	2
Clk High to Input Hold	t_{KHIX}	150	—	150	—	ps	
Input Pulse Width	t_{IPW}	200	—	200	—	ps	3
MRW Valid to Clk High	t_{RVKH}	150	—	150	—	ps	4
Clk High to MRW Hold	t_{KHRX}	150	—	150	—	ps	

Notes:

All parameters are measured from the mid-point of the object signal to the mid-point of the reference signal.

- Parameters apply to CK, \overline{CK} , KD, \overline{KD} .
- Parameters apply to SA, and are referenced to $\uparrow CK$ & $\uparrow \overline{CK}$.
Parameters apply to \overline{R} , \overline{W} , and are referenced to $\uparrow CK$ (and to $\uparrow \overline{CK}$ during Loopback Mode).
Parameters apply to D, and are referenced to $\uparrow KD$ & $\uparrow \overline{KD}$.
Parameters apply to KD, \overline{KD} , and are referenced to $\uparrow CK$ & $\uparrow \overline{CK}$ during Loopback Mode.
- Parameter specifies the input pulse width requirements for each individual address, control, and data input. Per-pin skew must be performed, to center the valid window of each individual input around the clock edge that latches it, in order for this parameter to be relevant to the application. The parameter is not tested; it is guaranteed by design and verified through extensive corner-lot characterization.
- Parameters apply to MRW, and are referenced to $\uparrow CK$. Applicable when Register Write Mode is utilized synchronously.

Memory Read and Write Timing Diagram



Note: MRW=0 (not shown).

JTAG Test Mode Description

These devices provide a JTAG Test Access Port (TAP) and Boundary Scan interface using a limited set of IEEE std. 1149.1 functions. This test mode is intended to provide a mechanism for testing the interconnect between master (processor, controller, etc.), ECCRAM, other components, and the printed circuit board. In conformance with a subset of IEEE std. 1149.1, these devices contain a TAP Controller and multiple TAP Registers. The TAP Registers consist of one Instruction Register and multiple Data Registers.

The TAP consists of the following four signals:

Pin	Pin Name	I/O	Description
TCK	Test Clock	I	Induces (clocks) TAP Controller state transitions.
TMS	Test Mode Select	I	Inputs commands to the TAP Controller. Sampled on the rising edge of TCK.
TDI	Test Data In	I	Inputs data serially to the TAP Registers. Sampled on the rising edge of TCK.
TDO	Test Data Out	O	Outputs data serially from the TAP Registers. Driven from the falling edge of TCK.

Concurrent TAP and Normal ECCRAM Operation

According to IEEE std. 1149.1, most public TAP Instructions do not disrupt normal device operation. In these devices, the only exceptions are EXTEST and SAMPLE-Z. See the Tap Registers section for more information.

Disabling the TAP

When JTAG is not used, TCK should be tied Low to prevent clocking the ECCRAM. TMS and TDI should either be tied High through a pull-up resistor or left unconnected. TDO should be left unconnected.

JTAG DC Operating Conditions

Parameter	Symbol	Min	Max	Units	Notes
JTAG Input High Voltage	V_{TIH}	$0.75 * V_{DDQ}$	$V_{DDQ} + 0.15$	V	1
JTAG Input Low Voltage	V_{TIL}	-0.15	$0.25 * V_{DDQ}$	V	1
JTAG Output High Voltage	V_{TOH}	$V_{DDQ} - 0.2$	—	V	2, 3
JTAG Output Low Voltage	V_{TOL}	—	0.2	V	2, 4

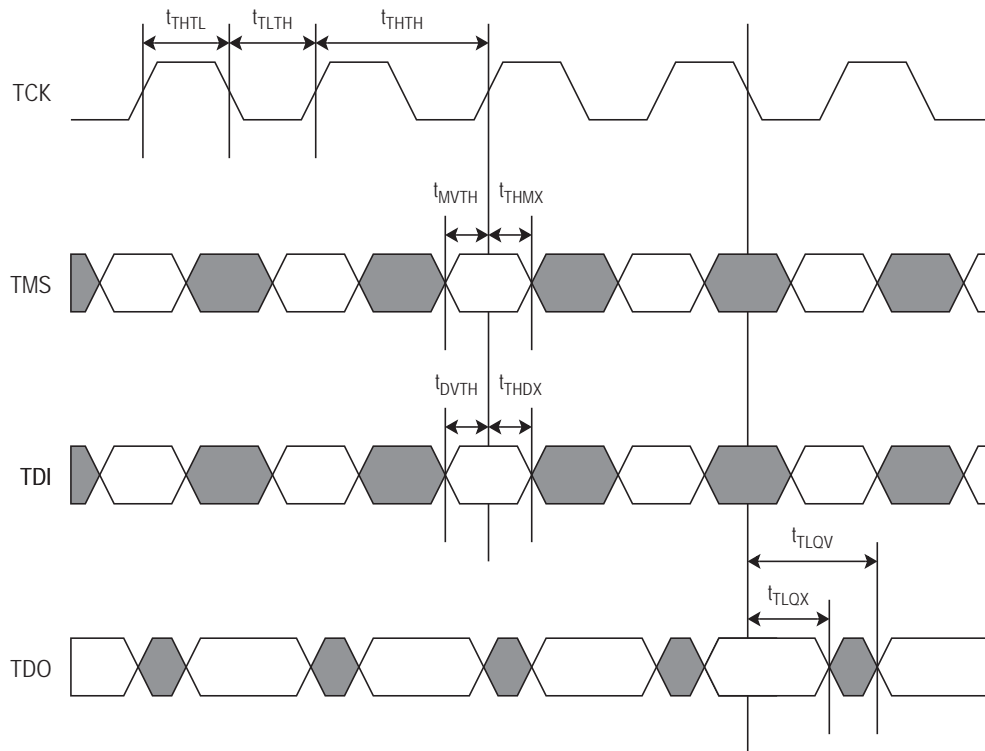
Notes:

- Parameters apply to TCK, TMS, and TDI.
- Parameters apply to TDO.
- $I_{TOH} = -2.0$ mA.
- $I_{TOL} = 2.0$ mA.

JTAG AC Timing Specifications

Parameter	Symbol	Min	Max	Units
TCK Cycle Time	t_{THTH}	50	—	ns
TCK High Pulse Width	t_{THTL}	20	—	ns
TCK Low Pulse Width	t_{TLTH}	20	—	ns
TMS Setup Time	t_{MVTH}	10	—	ns
TMS Hold Time	t_{THMX}	10	—	ns
TDI Setup Time	t_{DVTH}	10	—	ns
TDI Hold Time	t_{THDX}	10	—	ns
Capture Setup Time (Address, Control, Data, Clock)	t_{CS}	10	—	ns
Capture Hold Time (Address, Control, Data, Clock)	t_{CH}	10	—	ns
TCK Low to TDO Valid	t_{TLOV}	—	10	ns
TCK Low to TDO Hold	t_{TLOX}	0	—	ns

JTAG Timing Diagram



TAP Controller

The TAP Controller is a 16-state state machine that controls access to the various TAP Registers and executes the operations associated with each TAP Instruction. State transitions are controlled by TMS and occur on the rising edge of TCK.

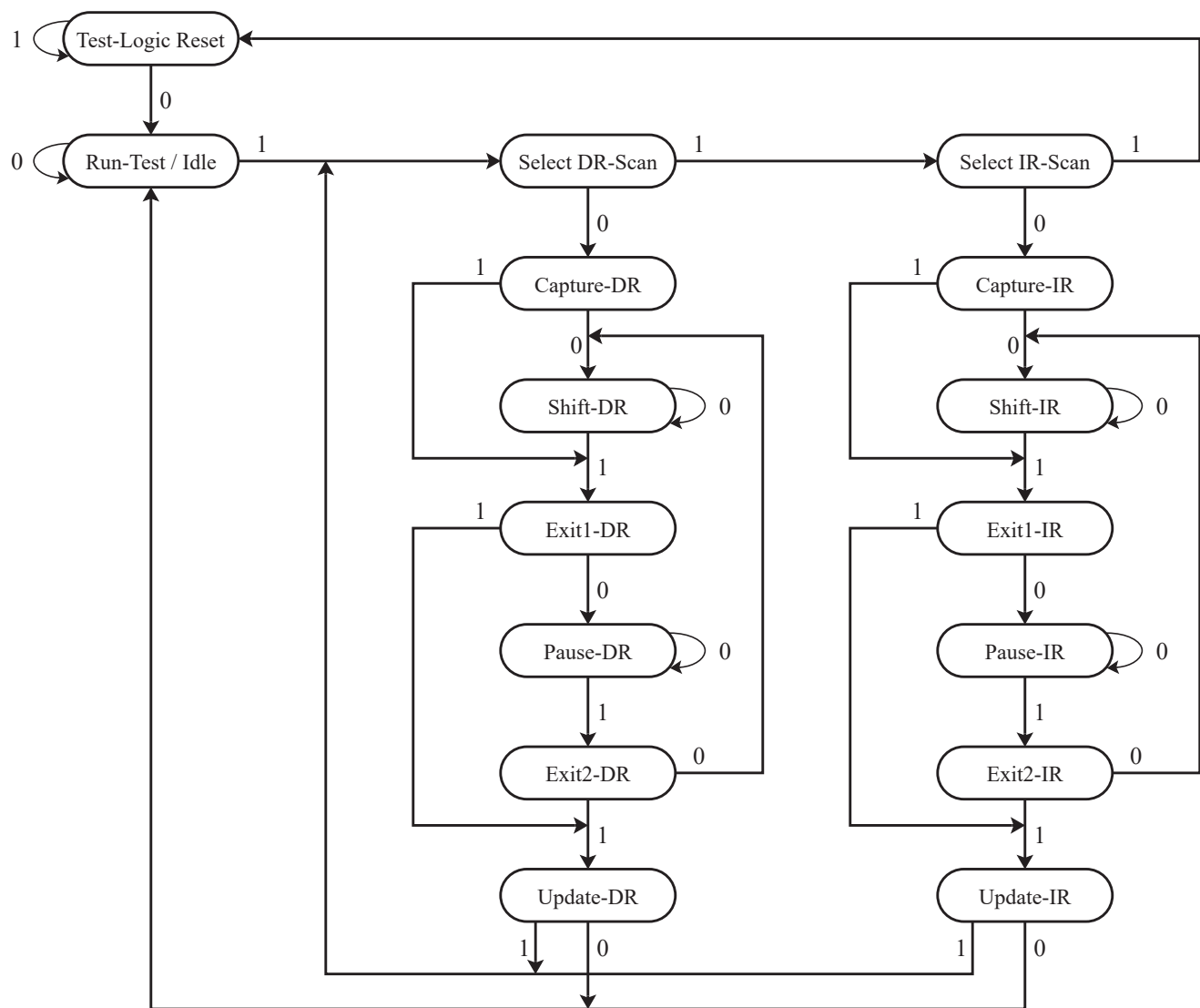
The TAP Controller enters the Test-Logic Reset state in one of two ways:

1. At power up.
2. When a logic 1 is applied to TMS for at least 5 consecutive rising edges of TCK.

The TDI input receiver is sampled only when the TAP Controller is in either the Shift-IR state or the Shift-DR state.

The TDO output driver is enabled only when the TAP Controller is in either the Shift-IR state or the Shift-DR state.

TAP Controller State Diagram



TAP Registers

TAP Registers are serial shift registers that capture serial input data (from TDI) on the rising edge of TCK, and drive serial output data (to TDO) on the subsequent falling edge of TCK. They are divided into two groups: Instruction Registers (IR), which are manipulated via the IR states in the TAP Controller, and Data Registers (DR), which are manipulated via the DR states in the TAP Controller.

Instruction Register (IR - 3 bits)

The Instruction Register stores the various TAP Instructions supported by ECCRAM. It is loaded with the IDCODE instruction (logic 001) at power-up, and when the TAP Controller is in the Test-Logic Reset and Capture-IR states. It is inserted between TDI and TDO when the TAP Controller is in the Shift-IR state, at which time it can be loaded with a new instruction. However, newly loaded instructions are not executed until the TAP Controller has reached the Update-IR state.

The Instruction Register is 3 bits wide, and is encoded as follows:

Code (2:0)	Instruction	Description
000	EXTEST	Loads the logic states of all signals composing the ECCRAM I/O ring into the Boundary Scan Register when the TAP Controller is in the Capture-DR state, and inserts the Boundary Scan Register between TDI and TDO when the TAP Controller is in the Shift-DR state. Also transfers the contents of the Boundary Scan Register associated with output signals (Q, QVLD, CQ, \overline{CQ}) directly to their corresponding output pins. However, newly loaded Boundary Scan Register contents do not appear at the output pins until the TAP Controller has reached the Update-DR state. Also disables all ODT. See the Boundary Scan Register description for more information.
001	IDCODE	Loads a predefined device- and manufacturer-specific identification code into the ID Register when the TAP Controller is in the Capture-DR state, and inserts the ID Register between TDI and TDO when the TAP Controller is in the Shift-DR state. See the ID Register description for more information.
010	SAMPLE-Z	Loads the logic states of all signals composing the ECCRAM I/O ring into the Boundary Scan Register when the TAP Controller is in the Capture-DR state, and inserts the Boundary Scan Register between TDI and TDO when the TAP Controller is in the Shift-DR state. Also disables all ODT. Also forces Q output drivers to a High-Z state. See the Boundary Scan Register description for more information.
011	PRIVATE	Reserved for manufacturer use only.
100	SAMPLE	Loads the logic states of all signals composing the ECCRAM I/O ring into the Boundary Scan Register when the TAP Controller is in the Capture-DR state, and inserts the Boundary Scan Register between TDI and TDO when the TAP Controller is in the Shift-DR state. See the Boundary Scan Register description for more information.
101	PRIVATE	Reserved for manufacturer use only.
110	PRIVATE	Reserved for manufacturer use only.
111	BYPASS	Loads a logic 0 into the Bypass Register when the TAP Controller is in the Capture-DR state, and inserts the Bypass Register between TDI and TDO when the TAP Controller is in the Shift-DR state. See the Bypass Register description for more information.

Bypass Register (DR - 1 bit)

The Bypass Register is one bit wide, and provides the minimum length serial path between TDI and TDO. It is loaded with a logic 0 when the BYPASS instruction has been loaded in the Instruction Register and the TAP Controller is in the Capture-DR state. It is inserted between TDI and TDO when the BYPASS instruction has been loaded into the Instruction Register and the TAP Controller is in the Shift-DR state.

ID Register (DR - 32 bits)

The ID Register is loaded with a predetermined device- and manufacturer-specific identification code when the IDCODE instruction has been loaded into the Instruction Register and the TAP Controller is in the Capture-DR state. It is inserted between TDI and TDO when the IDCODE instruction has been loaded into the Instruction Register and the TAP Controller is in the Shift-DR state.

The ID Register is 32 bits wide, and is encoded as follows:

See BSDL Model (31:12)	GSI ID (11:1)	Start Bit (0)
XXXX XXXX XXXX XXXX XXXX	0001 1011 001	1

Bit 0 is the LSB of the ID Register, and Bit 31 is the MSB. When the ID Register is selected, TDI serially shifts data into the MSB, and the LSB serially shifts data out through TDO.

Boundary Scan Register (DR - 129 bits)

The Boundary Scan Register is equal in length to the number of active signal connections to the ECCRAM (excluding the TAP pins) plus a number of place holder locations reserved for functional and/or density upgrades. It is loaded with the logic states of all signals composing the ECCRAM's I/O ring when the EXTEST, SAMPLE, or SAMPLE-Z instruction has been loaded into the Instruction Register and the TAP Controller is in the Capture-DR state. It is inserted between TDI and TDO when the EXTEST, SAMPLE, or SAMPLE-Z instruction has been loaded into the Instruction Register and the TAP Controller is in the Shift-DR state.

Additionally, the contents of the Boundary Scan Register associated with the ECCRAM outputs (Q, QVLD, CQ, \overline{CQ}) are driven directly to the corresponding ECCRAM output pins when the EXTEST instruction is selected. However, after the EXTEST instruction has been selected, any new data loaded into Boundary Scan Register when the TAP Controller is in the Shift-DR state does not appear at the output pins until the TAP Controller has reached the Update-DR state.

The value captured in the boundary scan register for NU pins is determined by the external pin state. The value captured in the boundary scan register for NC pins is 0 regardless of the external pin state. The value captured in the Internal Cell (Bit 129) is 1.

Output Driver State During EXTEST

EXTEST allows the Internal Cell (Bit 129) in the Boundary Scan Register to control the state of Q drivers. That is, when Bit 129 = 1, Q drivers are enabled (i.e., driving High or Low), and when Bit 129 = 0, Q drivers are disabled (i.e., forced to High-Z state). See the Boundary Scan Register section for more information.

ODT State During EXTEST and SAMPLE-Z

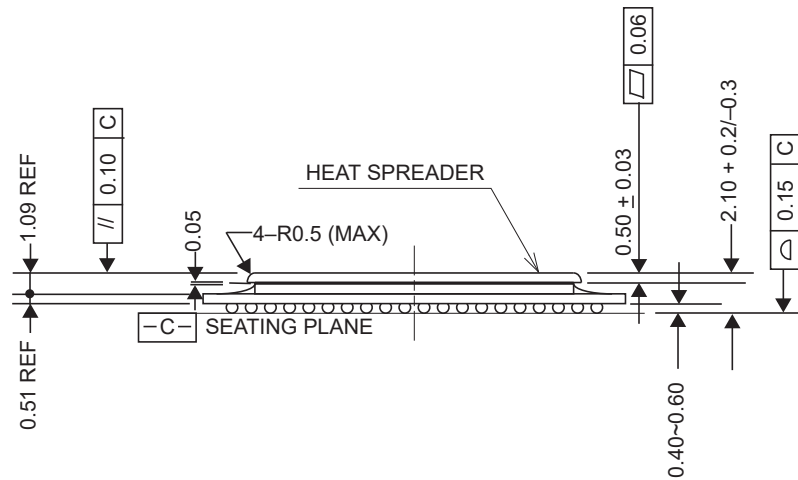
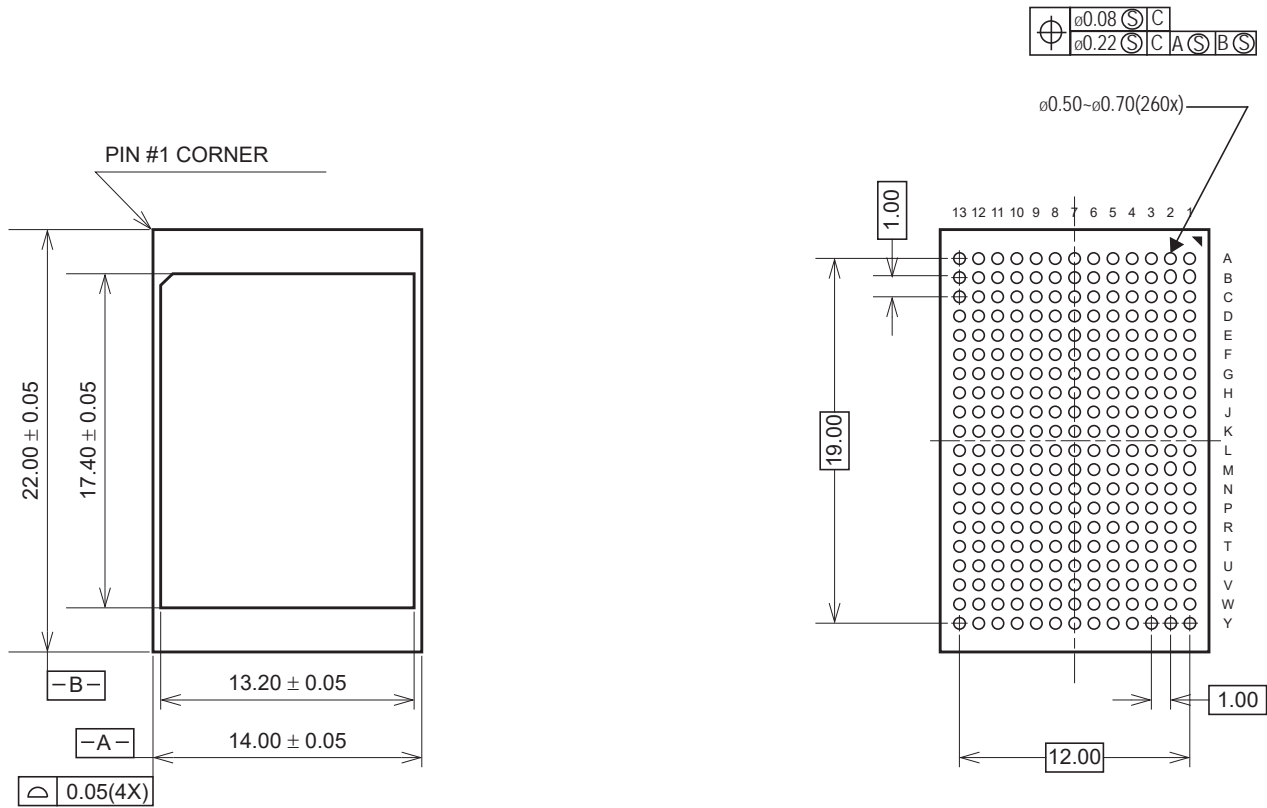
ODT on all inputs is disabled during EXTEST and SAMPLE-Z.

Boundary Scan Register Bit Order Assignment

The table below depicts the order in which the bits are arranged in the Boundary Scan Register. Bit 1 is the LSB and Bit 129 is the MSB. When the Boundary Scan Register is selected, TDI serially shifts data into the MSB, and the LSB serially shifts data out through TDO.

Bit	Pad	Bit	Pad	Bit	Pad	Bit	Pad	Bit	Pad
1	7L	29	12F	57	12W	85	1T	113	1C
2	7K	30	11G	58	10W	86	4R	114	3C
3	9L	31	13G	59	8V	87	2R	115	2B
4	9K	32	10G	60	9U	88	3P	116	4B
5	8J	33	12G	61	8T	89	1P	117	5A
6	7H	34	11H	62	9R	90	4P	118	6A
7	9H	35	13H	63	8P	91	2P	119	6B
8	7G	36	10J	64	9N	92	3N	120	6C
9	8G	37	12J	65	8M	93	1N	121	5D
10	9F	38	13K	66	6M	94	4M	122	6E
11	8E	39	13L	67	7N	95	2M	123	5F
12	7D	40	11L	68	5N	96	3L	124	6G
13	9D	41	12M	69	7P	97	1L	125	5H
14	8C	42	10M	70	6P	98	1K	126	6J
15	7B	43	13N	71	5R	99	2J	127	5K
16	8B	44	11N	72	6T	100	4J	128	5L
17	9B	45	12P	73	7U	101	1H	129	Internal
18	7A	46	10P	74	5U	102	3H		
19	9A	47	13P	75	6V	103	2G		
20	10B	48	11P	76	6W	104	4G		
21	12B	49	12R	77	7Y	105	1G		
22	11C	50	10R	78	4W	106	3G		
23	13C	51	13T	79	2W	107	2F		
24	10D	52	11T	80	3V	108	4F		
25	12D	53	12U	81	1V	109	1E		
26	11E	54	10U	82	4U	110	3E		
27	13E	55	13V	83	2U	111	2D		
28	10F	56	11V	84	3T	112	4D		

260-Pin BGA Package Drawing (Package GK)



Ball Pitch:	1.00	Substrate Thickness:	0.51
Ball Diameter:	0.60	Mold Thickness:	—

Ordering Information — GSI SigmaQuad-IVe ECCRAM

Org	Part Number	Type	Package	Speed (MHz)	T _A
8M x 18	GS81314LQ19GK-933	SigmaQuad-IVe B2	ROHS-Compliant 260-Pin BGA	933	C
8M x 18	GS81314LQ19GK-800	SigmaQuad-IVe B2	ROHS-Compliant 260-Pin BGA	800	C
8M x 18	GS81314LQ19GK-933I	SigmaQuad-IVe B2	ROHS-Compliant 260-Pin BGA	933	I
8M x 18	GS81314LQ19GK-800I	SigmaQuad-IVe B2	ROHS-Compliant 260-Pin BGA	800	I
4M x 36	GS81314LQ37GK-933	SigmaQuad-IVe B2	ROHS-Compliant 260-Pin BGA	933	C
4M x 36	GS81314LQ37GK-800	SigmaQuad-IVe B2	ROHS-Compliant 260-Pin BGA	800	C
4M x 36	GS81314LQ37GK-933I	SigmaQuad-IVe B2	ROHS-Compliant 260-Pin BGA	933	I
4M x 36	GS81314LQ37GK-800I	SigmaQuad-IVe B2	ROHS-Compliant 260-Pin BGA	800	I

Note: C = Commercial Temperature Range. I = Industrial Temperature Range.

Revision History

Rev. Code	Types of Changes Format or Content	Revisions
GS81314LQ1937GK_r1	—	• Creation of new RL=5 -specific datasheet with no bank restrictions.
GS81314LQ1937GK_r1.01	Content	• Changed -833 speed bin to -800, and reduced the V_{DD} (min) spec to 1.15V (in order to support 1.2V nominal).
GS81314LQ1937GK_r1.02	Content	• Removed "Preliminary" from data sheets.
GS81314LQ1937GK_r1.03	Content	• Changed Junction Temp to Max Junction Temp in AbsMax table.
GS81314LQ1937GK_r1.04	Content	• For -800 speed bin, increased the V_{DD} (min) spec from 1.15V to 1.2V; updated the I_{DD} specs accordingly.