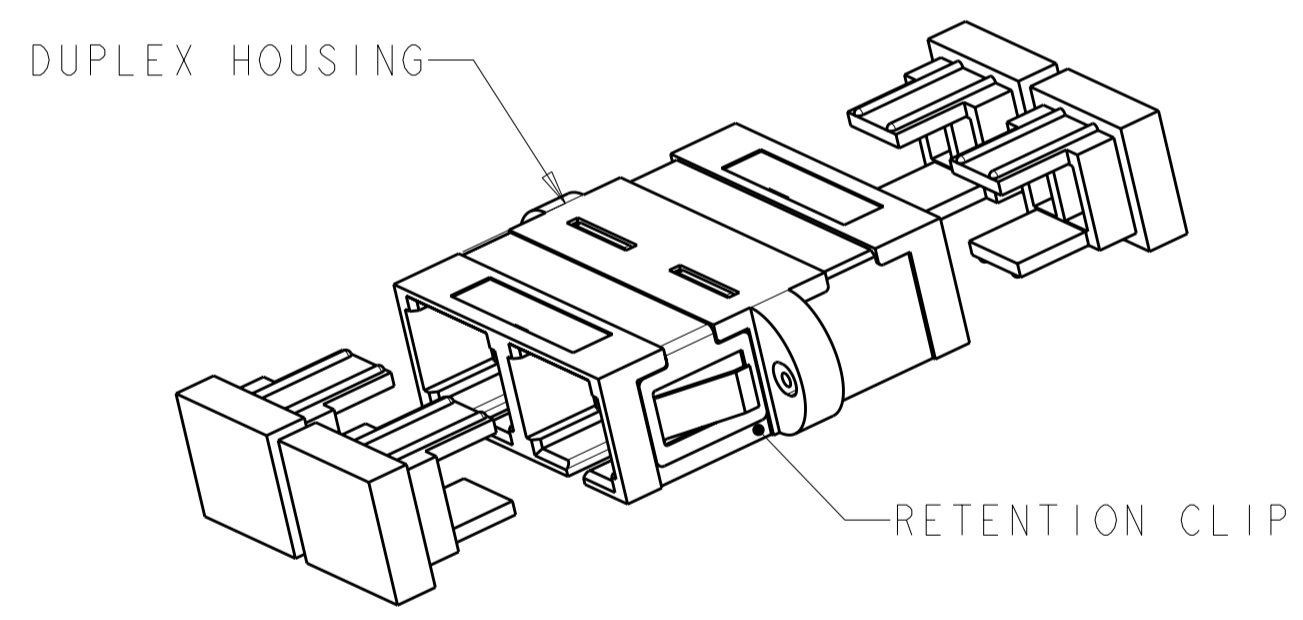
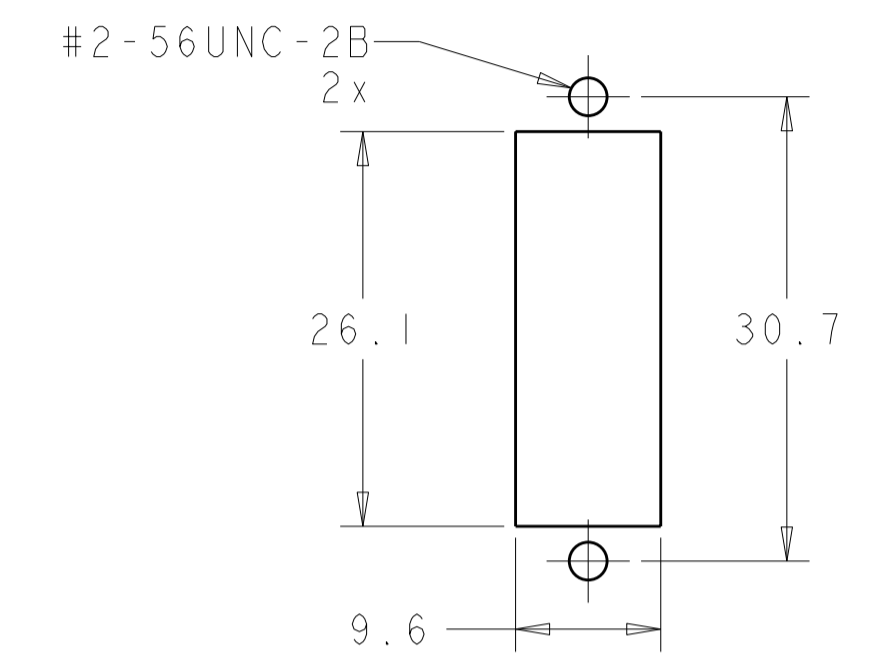
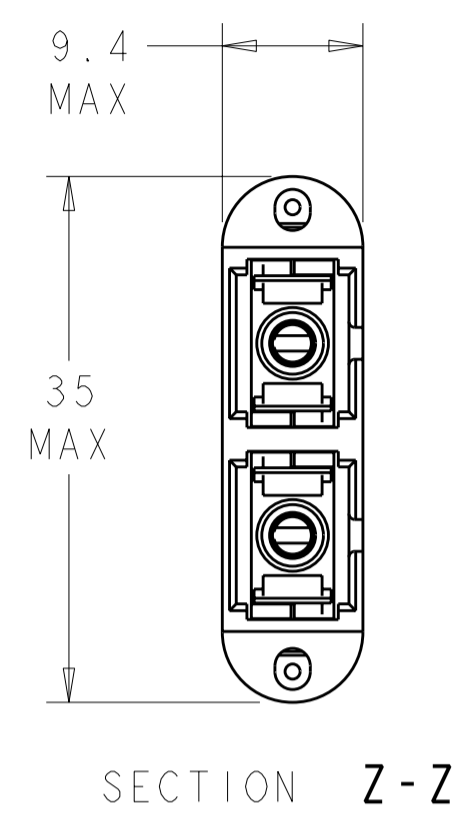
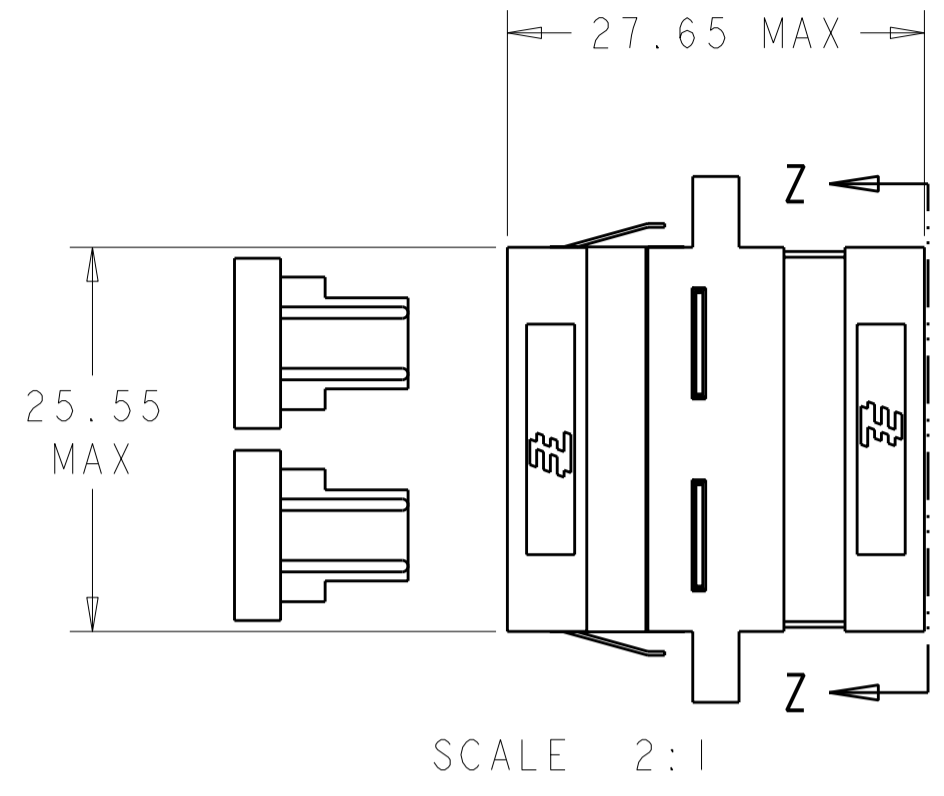
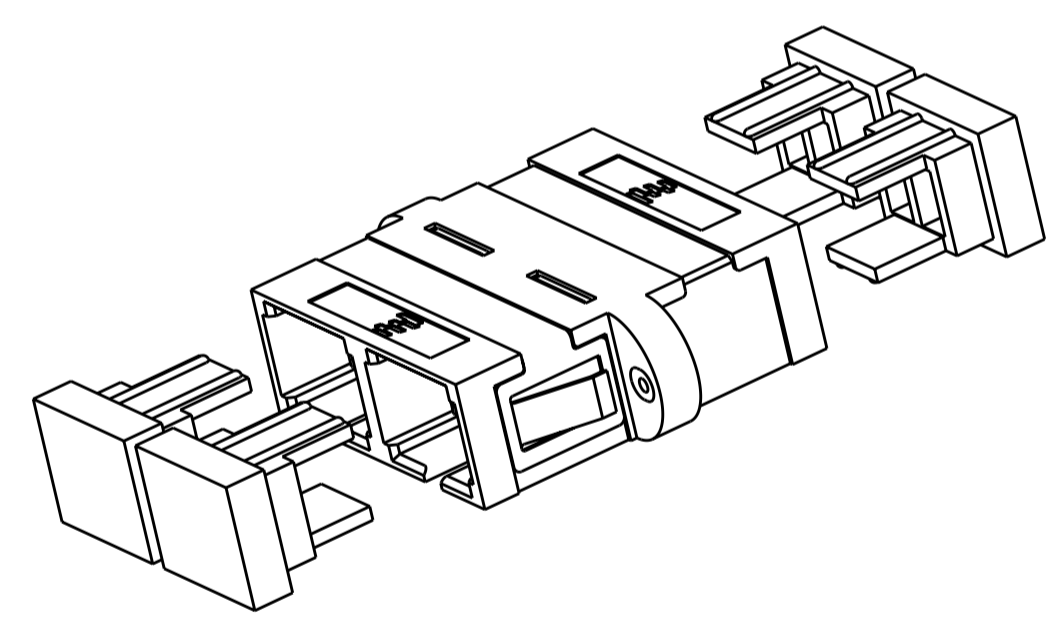


THIS DRAWING IS UNPUBLISHED. RELEASED FOR PUBLICATION 20
 © COPYRIGHT 20 ALL RIGHTS RESERVED.

REVISIONS					
P	LTR	DESCRIPTION	DATE	DWN	APVD
B3		REVISED PER ECO-11-005140	16APR2011	RK	HMR



5502276-7/-8/-9/1-0/1-1/
 1-2/1-3/2-2/2-3/2-5/2-6
 (WITHOUT TE LOGO)



3-5502276-0/3-5502276-1
 (WITH TE LOGO)

RETENTION CLIP	CERAMIC	GREEN	3-5502776-1
RETENTION CLIP	CERAMIC	BLUE	3-5502776-0
RETENTION CLIP	CERAMIC	AQUA	2-5502776-6
RETENTION CLIP	METAL	AQUA	2-5502776-5
RETENTION CLIP	CERAMIC	GREEN	2-5502776-3
NONE	CERAMIC	GREEN	2-5502776-2
RETENTION CLIP	METAL	BLACK	1-5502776-3
RETENTION CLIP	CERAMIC	BEIGE	1-5502776-2
RETENTION CLIP	CERAMIC	BLUE	1-5502776-1
RETENTION CLIP	CERAMIC	BLACK	1-5502776-0
RETENTION CLIP	METAL	BEIGE	5502776-9
RETENTION CLIP	METAL	BLUE	5502776-8
RETENTION CLIP	METAL	BLACK	5502776-7
INCLUDED HARDWARE	ALIGNMENT SLEEVE	COLOR	PART NUMBER

1 MATERIAL:
 HOUSING: PBT-GF30, SEE DASH NUMBERS FOR COLOR.*
 RETAINER: PEI-GF30, COLOR: BLACK.*
 RETENTION CLIP: STAINLESS STEEL.
 ALIGNMENT SLEEVE: SEE DASH NUMBERS.
 PROTECTIVE COVER: TPE, COLOR: BLACK.*
 *UL94 V-0 RATED AT QUALIFYING THICKNESS.

2 BULK PACKAGE.

THIS DRAWING IS A CONTROLLED DOCUMENT.		DWN B. BRIGGS 13MAY2005	TE Connectivity	
DIMENSIONS: mm		CHK S. MILLER 13MAY2005		
TOLERANCES UNLESS OTHERWISE SPECIFIED:		APVD S. BUCHTER 13MAY2005	NAME RECEPTACLE ASSEMBLY, DUPLEX, SC TO SC	
0 PLC ± 1 PLC ±0.1 2 PLC ±0.05 3 PLC ± 4 PLC ±		PRODUCT SPEC -	SIZE A200779	
ANGLES ± FINISH		APPLICATION SPEC -	DRAWING NO C-5502776	
MATERIAL		WEIGHT -	RESTRICTED TO -	
1		CUSTOMER DRAWING		SCALE 4:1 SHEET 1 OF 1 REV B3