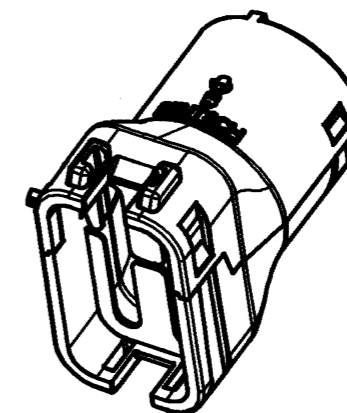
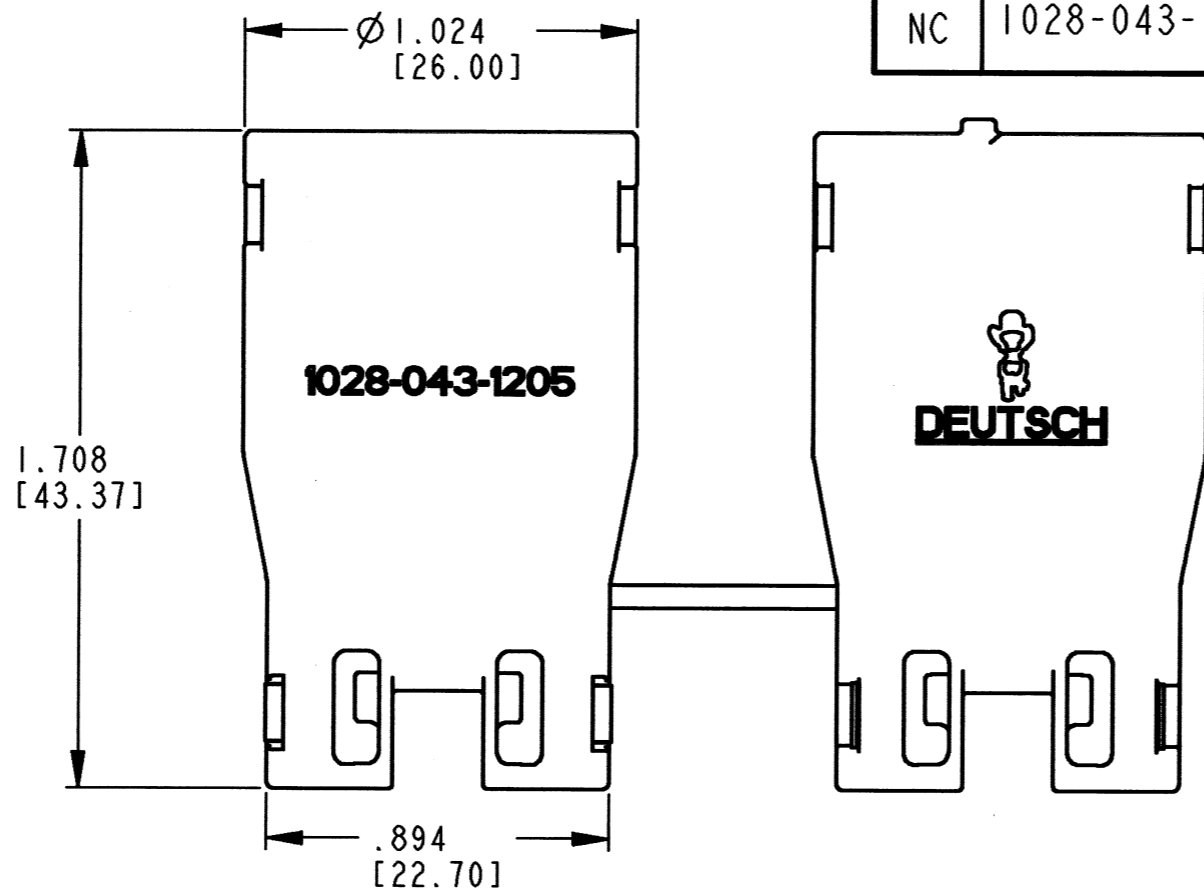
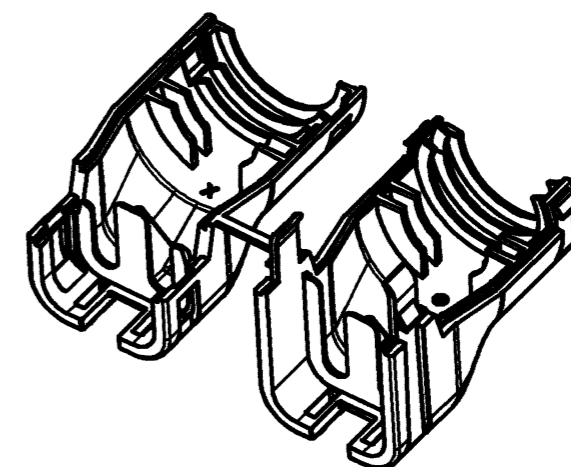
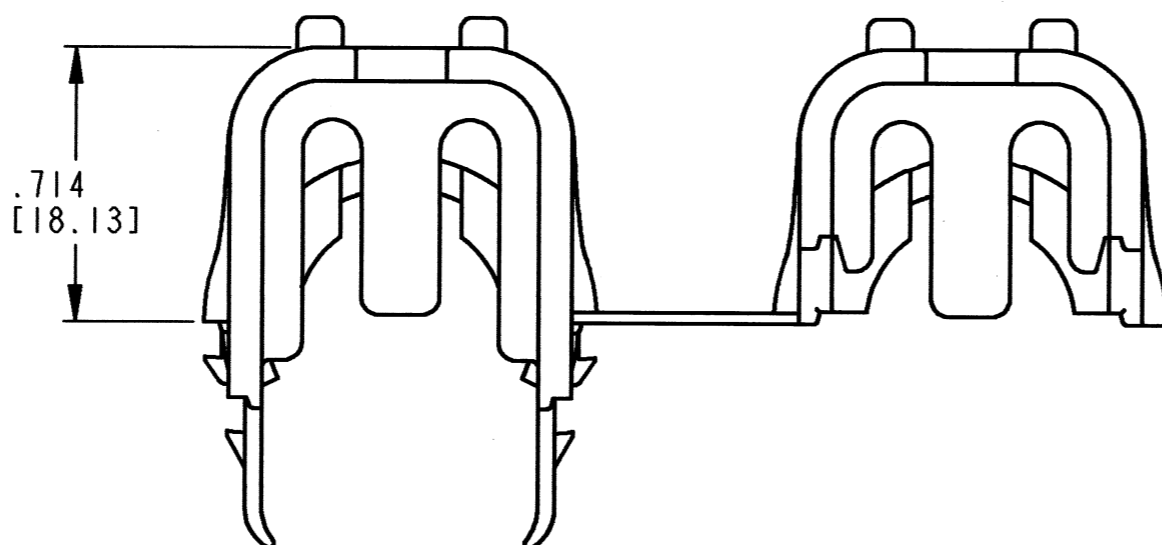
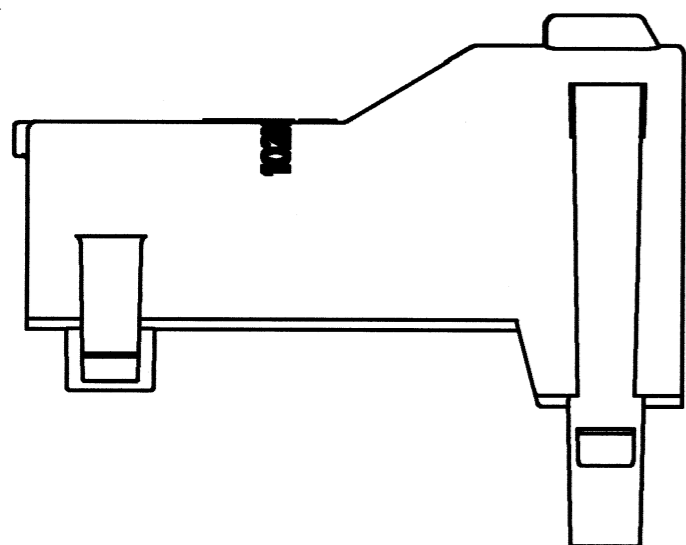


REV NC 1028-043-1205

REVISIONS			
SYM	DESCRIPTION	DATE	APPROVED
NC	NEW RELEASE PER E.O. P20135	2-24-10	ADR



3-D VIEW
CLOSED



3-D VIEW
OPEN

4. MATERIAL: PLASTIC; COLOR: BLACK
3. THIS PART ACCOMMODATES CORRUGATED TUBING SIZES NW 13 & 17 AND RIGHT ANGLE SWIVEL ADAPTER 1028-018-0005.
2. THIS PART MATES WITH DT06-12S*-**** PLUG WITH ANY MODIFICATION THAT DOES NOT INCLUDE AN END CAP. (* = KEY ARR. A,B,C,D; **** = MODIFICATION)
1. ALL DIMENSIONS ARE IN INCHES [MILLIMETERS] AND ARE ±.025[.64] UNLESS OTHERWISE SPECIFIED.

NOTES:

SIGNATURE & DATE	
DR	R. MESSENGER 2/17/09
CHK	<i>[Signature]</i> 2/23/10
PE	R. Messenger 2/19/10
APPD	<i>[Signature]</i> 2-19-10
SCALE	NONE
WT	

BACK SHELL
SWIVEL ADAPTER
12 PIN PLUG
DT SERIES

ENVELOPE

EP	MATL. CODE
3850 INDUSTRIAL AVE. HEMET, CA 92545	
B	1028-043-1205
DWG SIZE	CODE 11139 SHEET 1 OF 1