



Improved, 8-Channel/Dual 4-Channel, CMOS Analog Multiplexers

DG408/DG409

General Description

Maxim's redesigned DG408 and DG409 CMOS analog multiplexers now feature guaranteed matching between channels (8Ω max) and flatness over the specified signal range (9Ω max). These low on-resistance muxes (100Ω max) conduct equally well in either direction and feature guaranteed low charge injection (15pC max). In addition, these new muxes offer low input off-leakage current over temperature—less than 5nA at +85°C.

The DG408 is a 1-of-8 multiplexer/demultiplexer and the DG409 is a dual 4-channel multiplexer/demultiplexer. Both muxes operate with a +5V to +30V single supply and with ±5V to ±20V dual supplies. ESD protection is guaranteed to be greater than 2000V per Method 3015.7 of MIL-STD-883. These improved muxes are pin-compatible plug-in upgrades for the industry standard DG408 and DG409.

Applications

- Sample-and-Hold Circuits
- Test Equipment
- Guidance and Control Systems
- Communications Systems
- Data-Acquisition Systems
- Audio Signal Routing

Pin Configurations



Features

- ◆ Pin-Compatible Plug-In Upgrades for Industry Standard DG408/DG409
- ◆ Guaranteed Matching Between Channels, 8Ω Max
- ◆ Guaranteed On-Resistance Flatness, 9Ω Max
- ◆ Guaranteed Low Charge Injection, 15pC Max
- ◆ Low On-Resistance, 100Ω Max
- ◆ Input Leakage, 5nA Max at +85°C
- ◆ Low Power Consumption, 1.25mW Max
- ◆ Rail-to-Rail Signal Handling
- ◆ Digital Input Controls TTL/CMOS Compatible
- ◆ ESD Protection >2000V per Method 3015.7

Ordering Information

| PART | TEMP RANGE | PIN-PACKAGE |
|----------|----------------|----------------|
| DG408CUE | 0°C to +70°C | 16 TSSOP |
| DG408CJ | 0°C to +70°C | 16 Plastic DIP |
| DG408CY | 0°C to +70°C | 16 Narrow SO |
| DG408C/D | 0°C to +70°C | Dice* |
| DG408EUE | 0°C to +70°C | 16 TSSOP |
| DG408DJ | -40°C to +85°C | 16 Plastic DIP |
| DG408DY | -40°C to +85°C | 16 Narrow SO |

Ordering Information continued at end of data sheet.

**Contact factory for dice specifications.*

***Contact factory for availability and processing to MIL-STD-883.*

Functional Diagrams



Improved, 8-Channel/Dual 4-Channel, CMOS Analog Multiplexers

ABSOLUTE MAXIMUM RATINGS

| | | | |
|---|---|---|-----------------|
| Voltage Referenced to V- | | Plastic DIP (derate 10.53mW/°C above +70°C) | 842mW |
| V+ | -0.3V, 44V | Narrow SO (derate 8.70mW/°C above +70°C) | 696mW |
| GND | -0.3V, 25V | CERDIP (derate 10.00mW/°C above +70°C) | 800mW |
| Digital Inputs, S, D (Note 1)..... | (V- - 2V) to (V+ + 2V) or 30mA, (whichever occurs first) | Operating Temperature Ranges | |
| Continuous Current (any terminal) | 30mA | DG408/DG409C_ | 0°C to +70°C |
| Peak Current, S, D (pulsed at 1ms, 10% duty cycle max) | 100mA | DG408/DG409D,E_ | -40°C to +85°C |
| Continuous Power Dissipation (T _A = +70°C) | | DG408/DG409AK | -55°C to +125°C |
| TSSOP (derate 9.4mW/°C above +70°C) | 755mW | Storage Temperature Range | -65°C to +150°C |
| | | Lead Temperature (soldering, 10sec) | +300°C |

Note 1: Signals on S₋, D₋, EN, A0, A1, or A2 exceeding V₊ or V₋ are clamped by internal diodes. Limit forward current to maximum current ratings.

Stresses beyond those listed under "Absolute Maximum Ratings" may cause permanent damage to the device. These are stress ratings only, and functional operation of the device at these or any other conditions beyond those indicated in the operational sections of the specifications is not implied. Exposure to absolute maximum rating conditions for extended periods may affect device reliability.

ELECTRICAL CHARACTERISTICS—Dual Supplies

(V₊ = 15V, V₋ = -15V, GND = 0V, V_{AH} = +2.4V, V_{AL} = +0.8V, T_A = T_{MIN} to T_{MAX}, unless otherwise noted.)

| PARAMETER | SYMBOL | CONDITIONS | | MIN | TYP (Note 2) | MAX | UNITS | |
|---|----------------------|---|--|--|-----------------|------|-------|----|
| SWITCH | | | | | | | | |
| Analog Signal Range | V _{ANALOG} | (Note 3) | | -15 | | 15 | V | |
| Drain-Source On-Resistance | r _{DS(ON)} | I _S = -1.0mA, V _D = ±10V | T _A = +25°C | 60 | | 100 | Ω | |
| | | | T _A = T _{MIN} to T _{MAX} | | | 125 | | |
| On-Resistance Matching Between Channels | Δr _{DS(ON)} | I _S = -1.0mA, V _D = ±10V (Note 4) | T _A = +25°C | 1.5 | | 8 | Ω | |
| | | | T _A = T _{MIN} to T _{MAX} | | | 10 | | |
| On-Resistance Flatness | r _{FLAT} | I _S = -1.0mA, V _D = ±5V or 0V | T _A = +25°C | 1.8 | | 9 | Ω | |
| | | | T _A = T _{MIN} to T _{MAX} | | | 12 | | |
| Source-Off Leakage Current (Note 5) | I _{S(OFF)} | V _D = +10V, V _S = ±10V, V _{EN} = 0V | T _A = +25°C | -0.5 | 0.01 | 0.5 | nA | |
| | | | T _A = T _{MIN} to T _{MAX} | C, D | -5 | | | 5 |
| | | | | A | -50 | | | 50 |
| Drain-Off Leakage Current (Note 5) | I _{D(OFF)} | V _D = ±10V, V _S = +10V, V _{EN} = 0V | DG408 | T _A = +25°C | -1 | 0.02 | 1 | nA |
| | | | | T _A = T _{MIN} to T _{MAX} | C, D | -10 | | |
| | | | A | | -100 | | 100 | |
| | | DG409 | T _A = +25°C | -1 | 0.02 | 1 | | |
| | | | T _A = T _{MIN} to T _{MAX} | C, D | -5 | | 5 | |
| | | | | A | -50 | | 50 | |
| Drain-On Leakage Current (Note 5) | I _{D(ON)} | V _D = ±10V, V _S = ±10V, sequence each switch on | DG408 | T _A = +25°C | -1 | 0.02 | 1 | nA |
| | | | | T _A = T _{MIN} to T _{MAX} | C, D | -20 | | |
| | | | A | | -100 | | 100 | |
| | | DG409 | T _A = +25°C | -1 | 0.02 | 1 | | |
| | | | T _A = T _{MIN} to T _{MAX} | C, D | -10 | | 10 | |
| | | | | A | -50 | | 50 | |

Improved, 8-Channel/Dual 4-Channel, CMOS Analog Multiplexers

DG408/DG409

ELECTRICAL CHARACTERISTICS—Dual Supplies (continued)

(V+ = 15V, V- = -15V, GND = 0V, VAH = +2.4V, VAL = +0.8V, TA = TMIN to TMAX, unless otherwise noted.)

| PARAMETER | SYMBOL | CONDITIONS | | MIN | TYP (Note 2) | MAX | UNITS | |
|---------------------------------------|-----------------|--|-------------------|------------|-----------------|-----|-------|----|
| INPUT | | | | | | | | |
| Input Current with Input Voltage High | IAH | VA = 2.4V or 15V | | -1.0 | | 1.0 | μA | |
| Input Current with Input Voltage Low | I _{AL} | VEN = 0V or 2.4V, VA = 0V | | -1.0 | | 1.0 | μA | |
| SUPPLY | | | | | | | | |
| Power-Supply Range | | | | ±5 | | ±20 | V | |
| Positive Supply Current | I+ | VEN = VA = 0V or 4.5V | TA = +25°C | | 16 | 30 | μA | |
| | | | TA = TMIN to TMAX | | | 75 | | |
| | | VEN = 2.4V, VA(ALL) = 0V or 2.4V | TA = +25°C | | 0.075 | 0.5 | mA | |
| | | | TA = TMIN to TMAX | | | 2 | | |
| Negative Supply Current | I- | VEN = 2.4V, VA(ALL) = 0V or 2.4V | TA = +25°C | | -1 | 1 | μA | |
| | | | TA = TMIN to TMAX | | | -10 | | 10 |
| DYNAMIC | | | | | | | | |
| Transition Time | tTRANS | Figure 2 | TA = +25°C | | 85 | 175 | ns | |
| | | | TA = TMIN to TMAX | | | 250 | | |
| Break-Before-Make Interval | tOPEN | Figure 4 | TA = +25°C | | 10 | 40 | ns | |
| Enable Turn-On Time | tON(EN) | Figure 3 | TA = +25°C | | | 85 | 150 | ns |
| | | | TA = TMIN to TMAX | | | | 225 | |
| Enable Turn-Off Time | tOFF(EN) | Figure 3 | TA = +25°C | | | | 150 | ns |
| | | | TA = TMIN to TMAX | | | | 300 | |
| Charge Injection (Note 3) | Q | CL = 1.0nF, VS = 0V, RS = 0Ω, Figure 5 | TA = +25°C | | 2 | 15 | pC | |
| Off Isolation (Note 6) | VISO | VEN = 0V, RL = 1kΩ, f = 100kHz, Figure 6 | TA = +25°C | | -75 | | dB | |
| Crosstalk Between Input Channels | VCT | VEN = 2.4V, f = 100kHz, VGEN = 1VP-P, RL = 1kΩ, Figure 7 | TA = +25°C | | -92 | | dB | |
| Logic Input Capacitance | CIN | f = 1MHz | TA = +25°C | | 8 | | pF | |
| Source-Off Capacitance | CS(OFF) | f = 1MHz, VEN = VS = 0V, Figure 8 | TA = +25°C | | 3 | | pF | |
| Drain-Off Capacitance | CD(OFF) | f = 1MHz, VEN = 0.8V, VD = 0V, Figure 8 | DG408 | TA = +25°C | | 26 | pF | |
| | | | DG409 | | | 14 | | |
| Drain-On Capacitance | CD(ON) + CS(ON) | f = 1MHz, VEN = 2.4V, VD = 0V, Figure 8 | DG408 | TA = +25°C | | 37 | pF | |
| | | | DG409 | | | 25 | | |

Improved, 8-Channel/Dual 4-Channel, CMOS Analog Multiplexers

ELECTRICAL CHARACTERISTICS—Single Supply

($V_+ = 12V$, $V_- = 0V$, $GND = 0V$, $V_{AH} = +2.4V$, $V_{AL} = +0.8V$, $T_A = T_{MIN}$ to T_{MAX} , unless otherwise noted.)

| PARAMETER | SYMBOL | CONDITIONS | | MIN | TYP (Note 2) | MAX | UNITS |
|----------------------------------|---------------|--|---------------------|-----|-----------------|-----|----------|
| SWITCH | | | | | | | |
| Analog Signal Range | V_{ANALOG} | (Note 3) | | 0 | | 12 | V |
| Drain-Source On-Resistance | $r_{DS(ON)}$ | $I_S = -1.0mA$ $V_D = 3V$ or $10V$ | $T_A = +25^\circ C$ | | 120 | 175 | Ω |
| DYNAMIC | | | | | | | |
| Transition Time (Note 3) | t_{TRANS} | $V_{S1} = 8V$, $V_{S8} = 0V$, $V_A = 0V$, Figure 2 | $T_A = +25^\circ C$ | | 115 | 450 | ns |
| Enable Turn-On Time (Note 3) | $t_{ON(EN)}$ | $V_{AL} = 0V$, $V_{S1} = 5V$, Figure 3 | $T_A = +25^\circ C$ | | 100 | 600 | ns |
| Enable Turn-Off Time (Note 3) | $t_{OFF(EN)}$ | $V_{AL} = 0V$, $V_{S1} = 5V$, Figure 3 | $T_A = +25^\circ C$ | | 75 | 300 | ns |
| Charge Injection | Q | $C_L = 1.0nF$, $V_S = 0V$, $R_S = 0\Omega$ | $T_A = +25^\circ C$ | | 2 | | pC |

Note 2: The algebraic convention where the most negative value is a minimum and the most positive value a maximum is used in this data sheet.

Note 3: Guaranteed by design.

Note 4: $\Delta R_{ON} = R_{ON(MAX)} - R_{ON(MIN)}$. On-resistance match between channels and flatness are guaranteed only with specified voltages. Flatness is defined as the difference between the maximum and minimum value of on-resistance as measured at the extremes of the specified analog signal range.

Note 5: Leakage parameters are 100% tested at the maximum rated hot temperature and guaranteed by correlation at $+25^\circ C$.

Note 6: Off isolation = $20 \log V_D/V_S$, where V_D = output and V_S = input to off switch.

Improved, 8-Channel/Dual 4-Channel, CMOS Analog Multiplexers

Typical Operating Characteristics

($T_A = +25^\circ\text{C}$, unless otherwise noted.)

DG408/DG409



Improved, 8-Channel/Dual 4-Channel, CMOS Analog Multiplexers

Pin Description

| PIN | | NAME | FUNCTION |
|-----------|-------|------------|-------------------------------|
| DG408 | DG409 | | |
| 1, 15, 16 | — | A0, A2, A1 | Address Inputs |
| — | 1, 16 | A0, A1 | Address Inputs |
| 2 | 2 | EN | Enable Input |
| 3 | 3 | V- | Negative Supply Voltage Input |
| 4-7 | — | S1-S4 | Bidirectional Analog Inputs |
| — | 4-7 | S1A-S4A | Bidirectional Analog Inputs |
| 8 | — | D | Bidirectional Analog Output |
| — | 8, 9 | DA, DB | Bidirectional Analog Outputs |
| 9-12 | — | S8-S5 | Bidirectional Analog Inputs |
| — | 10-13 | S4B-S1B | Bidirectional Analog Inputs |
| 13 | 14 | V+ | Positive Supply Voltage Input |
| 14 | 15 | GND | Ground |

Applications Information

Operation with Supply Voltages Other than 15V

Using supply voltages less than $\pm 15V$ reduces the analog signal range. The DG408/DG409 switches operate with $\pm 5V$ to $\pm 20V$ bipolar supplies or with a $+5V$ to $+40V$ single supply. Connect V- to GND when operating with a single supply. Both device types can also operate with unbalanced supplies, such as $+24V$ and $-5V$. The *Typical Operating Characteristics* graphs show typical on-resistance with 20V, 15V, 10V, and 5V supplies. (Switching times increase by a factor of two or more for operation at 5V.)

Overvoltage Protection

Proper power-supply sequencing is recommended for all CMOS devices. Do not exceed the absolute maximum ratings, because stresses beyond the listed ratings may cause permanent damage to the devices. Always sequence V+ on first, then V-, followed by the logic inputs, S or D. If power-supply sequencing is not possible, add two small signal diodes in series with supply pins for overvoltage protection (Figure 1). Adding diodes reduces the analog signal range to 1V below V+ and 1V above V-, but does not affect the devices' low switch resistance and low leakage characteristics. Device operation is unchanged, and the difference between V+ and V- should not exceed +44V.



Figure 1. Overvoltage Protection Using External Blocking Diodes

Improved, 8-Channel/Dual 4-Channel, CMOS Analog Multiplexers

Test Circuits/Timing Diagrams

DG408/DG409



Figure 2. Transition Time



Figure 3. Enable Switching Time

Improved, 8-Channel/Dual 4-Channel, CMOS Analog Multiplexers

Test Circuits/Timing Diagrams (continued)



Figure 4. Break-Before-Make Interval



Figure 5. Charge Injection

Improved, 8-Channel/Dual 4-Channel, CMOS Analog Multiplexers

Test Circuits/Timing Diagrams (continued)

DG408/DG409



Figure 6. Off Isolation



Figure 7. Crosstalk

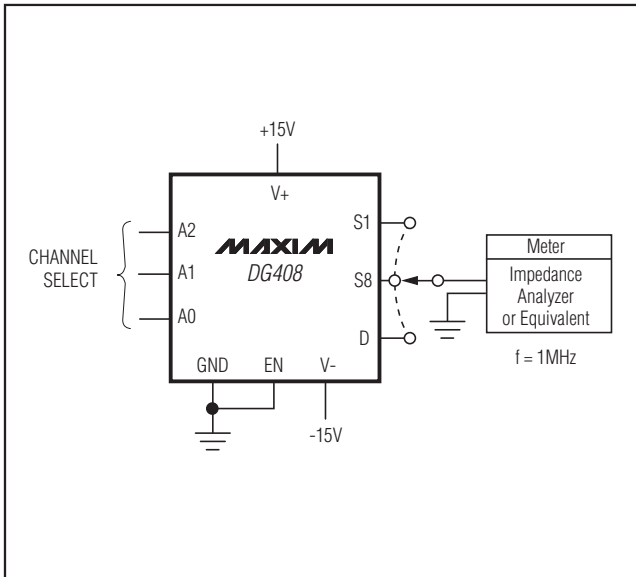


Figure 8. Source/Drain Capacitance

Improved, 8-Channel/Dual 4-Channel, CMOS Analog Multiplexers

Pin Configurations/Functional Diagrams/Truth Tables (continued)



| A2 | A1 | A0 | EN | ON SWITCH |
|----|----|----|----|-----------|
| X | X | X | 0 | None |
| 0 | 0 | 0 | 1 | 1 |
| 0 | 0 | 1 | 1 | 2 |
| 0 | 1 | 0 | 1 | 3 |
| 0 | 1 | 1 | 1 | 4 |
| 1 | 0 | 0 | 1 | 5 |
| 1 | 0 | 1 | 1 | 6 |
| 1 | 1 | 0 | 1 | 7 |
| 1 | 1 | 1 | 1 | 8 |

DG408

LOGIC "0" $V_{AL} \leq 0.8V$, LOGIC "1" $V_{AH} \geq 2.4V$

| A1 | A0 | EN | ON SWITCH |
|----|----|----|-----------|
| X | X | 0 | None |
| 0 | 0 | 1 | 1 |
| 0 | 1 | 1 | 2 |
| 1 | 0 | 1 | 3 |
| 1 | 1 | 1 | 4 |

DG409

LOGIC "0" $V_{AL} \leq 0.8V$, LOGIC "1" $V_{AH} \geq 2.4V$

Improved, 8-Channel/Dual 4-Channel, CMOS Analog Multiplexers

DG408/DG409

Ordering Information (continued)

| PART | TEMP RANGE | PIN-PACKAGE |
|-----------------|-----------------|----------------|
| DG408DK | -40°C to +85°C | 16 CERDIP |
| DG408AK | -55°C to +125°C | 16 CERDIP** |
| DG408MY/PR | -55°C to +125°C | 16 SO*** |
| DG408MY/PR-T | -55°C to +125°C | 16 SO*** |
| DG409CUE | 0°C to +70°C | 16 TSSOP |
| DG409CJ | 0°C to +70°C | 16 Plastic DIP |
| DG409CY | 0°C to +70°C | 16 Narrow SO |
| DG409C/D | 0°C to +70°C | Dice* |
| DG409EUE | -40°C to +85°C | 16 TSSOP |
| DG409DJ | -40°C to +85°C | 16 Plastic DIP |
| DG409DK | -40°C to +85°C | 16 CERDIP |
| DG409AK | -55°C to +125°C | 12 CERDIP** |
| DG409MY/PR | -55°C to +125°C | 16 SO*** |
| DG409MY/PR-T | -55°C to +125°C | 16 SO*** |

*Contact factory for dice specifications.

**Contact factory for availability and processing to MIL-STD-883.

Package Information

For the latest package outline information and land patterns, go to www.maxim-ic.com/packages.

| PACKAGE TYPE | PACKAGE CODE | DOCUMENT NO. |
|----------------|--------------|-------------------------|
| 16 TSSOP | U16-1 | 21-0066 |
| 16 Plastic DIP | P16-2 | 21-0043 |
| 16 Narrow SO | S16-5 | 21-0041 |
| 16 SO | S16-5 | 21-0041 |
| 16 CERDIP | J16-3 | 21-0590 |

Improved, 8-Channel/Dual 4-Channel, High-Performance, CMOS Analog Multiplexers

Revision History

| REVISION NUMBER | REVISION DATE | DESCRIPTION | PAGES CHANGED |
|------------------------|----------------------|---|----------------------|
| 3 | 8/02 | Changed operating voltage and TSSOP packaging | — |
| 4 | 9/08 | Added rugged plastic information | 1, 11 |

Maxim cannot assume responsibility for use of any circuitry other than circuitry entirely embodied in a Maxim product. No circuit patent licenses are implied. Maxim reserves the right to change the circuitry and specifications without notice at any time.

12 _____ **Maxim Integrated Products, 120 San Gabriel Drive, Sunnyvale, CA 94086 408-737-7600**