



# AS85049/47 and MS27507 90° Strain Relief Self-Locking or Non-Self-Locking

## CONNECTOR DESIGNATOR:

**F** MIL-DTL-27599,  
MIL-DTL-38999 Series Series I & II

**FOR NEW DESIGN  
USE AS85049/123**

## Material and Finish Designator

**N** = Aluminum, Electroless Nickel  
**S** = 300 Series Steel, Passivated  
**W** = Aluminum, 1000 Hour Cadmium  
Olive Drab over Electroless Nickel

Basic  
Part Number

**M85049/47**

**S**

**W**

**10**

**S** = Self-Locking  
Omit for Non-Self-Locking

Dash No.

## Superseded PART NUMBER

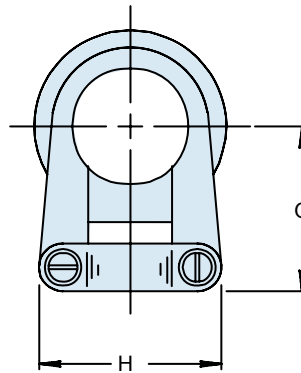
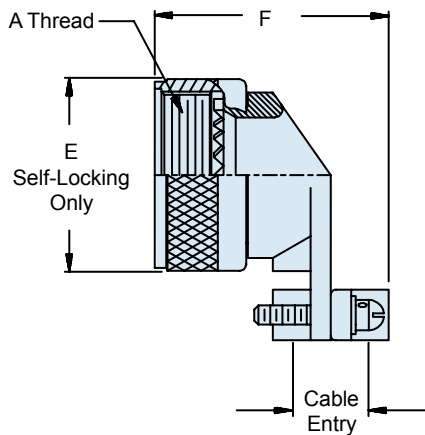
**MS27507-B 10**

Basic Part No.  
(Non-Self-  
Locking)

Dash No.

## Metal and Finish Designator

**A** = Aluminum Cadmium Olive Drab over Electroless Nickel  
**C** = Aluminum, Cadmium Olive Drab  
**N** = Aluminum, Electroless Nickel  
**D** = 300 Series Steel, Cadmium Black Plate  
**S** = 300 Series Steel, Passivate



## APPLICATION NOTES

1. Assembly to be identified with manufacturer's name and part number, space permitting.
2. Cable Entry is defined as the accommodation entry for the wire bundle or cable.
3. Dimensions are not intended for inspection criteria.
4. For complete dimensions, see the applicable Military Specification.
5. Metric dimensions (mm) are in parentheses.

**TABLE I: Shell Size, Cable Entry and Backshell Dimensions**

Dash No.	Shell Size Ref.	A Thread Class 2B	Ø E Max	F Max	G Max	H Max	Cable Entry					
							Min	Max	Min	Max		
<b>A</b>	<b>8/9</b>	.438 - 28 UNEF	.86 (21.8)	1.38 (35.1)	1.00 (25.4)	.85 (21.6)	.098 (2.5)	.234 (5.9)	.153 (3.9)	.234 (5.9)	.190 (4.8)	.328 (8.3)
<b>10</b>	<b>10/11</b>	.562 - 24 UNEF	.98 (24.9)	1.38 (35.1)	1.10 (27.9)	.90 (22.9)	.153 (3.9)	.234 (5.9)	.190 (4.8)	.328 (8.3)	.260 (6.6)	.457 (11.6)
<b>12</b>	<b>12/13</b>	.688 - 24 UNEF	1.16 (29.5)	1.46 (37.1)	1.10 (27.9)	1.10 (27.9)	.260 (6.6)	.457 (11.6)	.325 (8.3)	.634 (16.1)	.343 (8.7)	.698 (17.7)
<b>14</b>	<b>14/15</b>	.813 - 20 UNEF	1.28 (32.5)	1.63 (41.4)	1.25 (31.8)	1.15 (29.2)	.325 (8.3)	.634 (16.1)	.381 (9.7)	.823 (20.9)	.283 (7.2)	.614 (15.6)
<b>16</b>	<b>16/17</b>	.938 - 20 UNEF	1.41 (35.8)	1.80 (45.7)	1.30 (33.0)	1.30 (33.0)	.381 (9.7)	.823 (20.9)	.418 (10.6)	.853 (21.7)	.325 (8.3)	.634 (16.1)
<b>18</b>	<b>18/19</b>	1.063 - 18 UNEF	1.52 (38.6)	1.82 (46.2)	1.35 (34.3)	1.50 (38.1)	.325 (8.3)	.634 (16.1)	.381 (9.7)	.823 (20.9)	.343 (8.7)	.698 (17.7)
<b>20</b>	<b>20/21</b>	1.188 - 18 UNEF	1.64 (41.7)	1.90 (48.3)	1.60 (40.6)	1.60 (40.6)	.381 (9.7)	.823 (20.9)	.418 (10.6)	.853 (21.7)	.325 (8.3)	.634 (16.1)
<b>22</b>	<b>22/23</b>	1.313 - 18 UNEF	1.77 (45.0)	2.04 (51.8)	1.75 (44.5)	1.70 (43.2)	.381 (9.7)	.823 (20.9)	.418 (10.6)	.853 (21.7)	.325 (8.3)	.634 (16.1)
<b>24</b>	<b>24/25</b>	1.438 - 18 UNEF	1.89 (48.0)	2.15 (54.6)	1.85 (47.0)	1.80 (45.7)	.381 (9.7)	.823 (20.9)	.418 (10.6)	.853 (21.7)	.325 (8.3)	.634 (16.1)