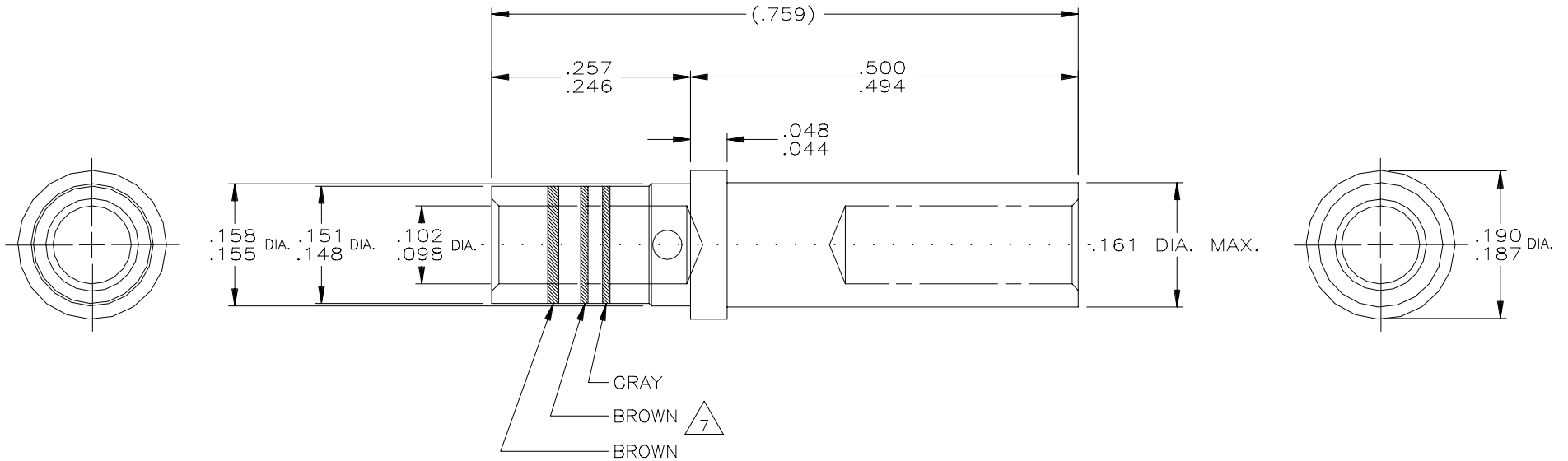


REVISIONS			
LTR	DESCRIPTION	DATE	APPROVED
C	REVISED PER ECN T-012837	8-5-86	J.B.



NOTES:

1. THIS CONTACT IS DESIGNED TO MEET THE REQUIREMENTS OF MIL-C-39029/5, SIZE 12 (BIN CODE NO. 118).
2. MINIMUM SEPERATION FORCE USING MS3197-12X1 TEST PIN, 3 OZ. MAXIMUM ENGAGEMENT FORCE USING MS3197-12Y1 TEST PIN, 30 OZ.
3. DIMENSIONS SHOWN ARE FOR REFERENCE ONLY.
4. RECOMMENDED WIRE STRIP LENGTH .250 - .290.
5. CRIMP TOOL RECOMMENDATION:

A - TOOL NO. M22520/1-01

B - POSITIONER NO. M22520/1-02 YELLOW.

6. WEIGHT: .0028 LBS. (1.270 GR.) MAX.

7. PART IS MARKED WITH COLOR STRIPES AS SHOWN OR WITH THE BIN CODE NO. IN ACCORDANCE WITH MIL-C-39029.

**If this document is printed it becomes uncontrolled.
Check with the web for latest revision.**

SPECIFICATION CONTROL DRAWING © Raychem Corporation 1986

UNLESS OTHERWISE SPECIFIED DIMENSIONS ARE IN INCHES. METRIC DIMENSIONS ARE IN BRACKETS.	DRAWN	A.A.	6-16-86	Raychem RAYCHEM CORPORATION 300 CONSTITUTION DRIVE MENLO PARK, CALIFORNIA 94025		
	CHECKED	J.B.		TITLE		
	APPROVED	J.BLAIR	6-18-86	CONTACT, SOCKET, SIZE 12 MTCR SERIES		
	APPROVED	J. CAMERON	6-20-86	CAD NAME		
DECIMALS	.XXX ±	[mm]	005201-1			
ANGLES	.XX ±	[mm]	THIRD ANGLE PROJECTION			
WEIGHT	.X ±	[g]	DO NOT SCALE THIS DRAWING			
6. WEIGHT: .0028 lbs [g]			SIZE	CODE IDENT. NO.	DWG. NO.	REV
			C	06090	CTA-0115	C
			SHEET 1 OF 1			

SHEET CTA-0115