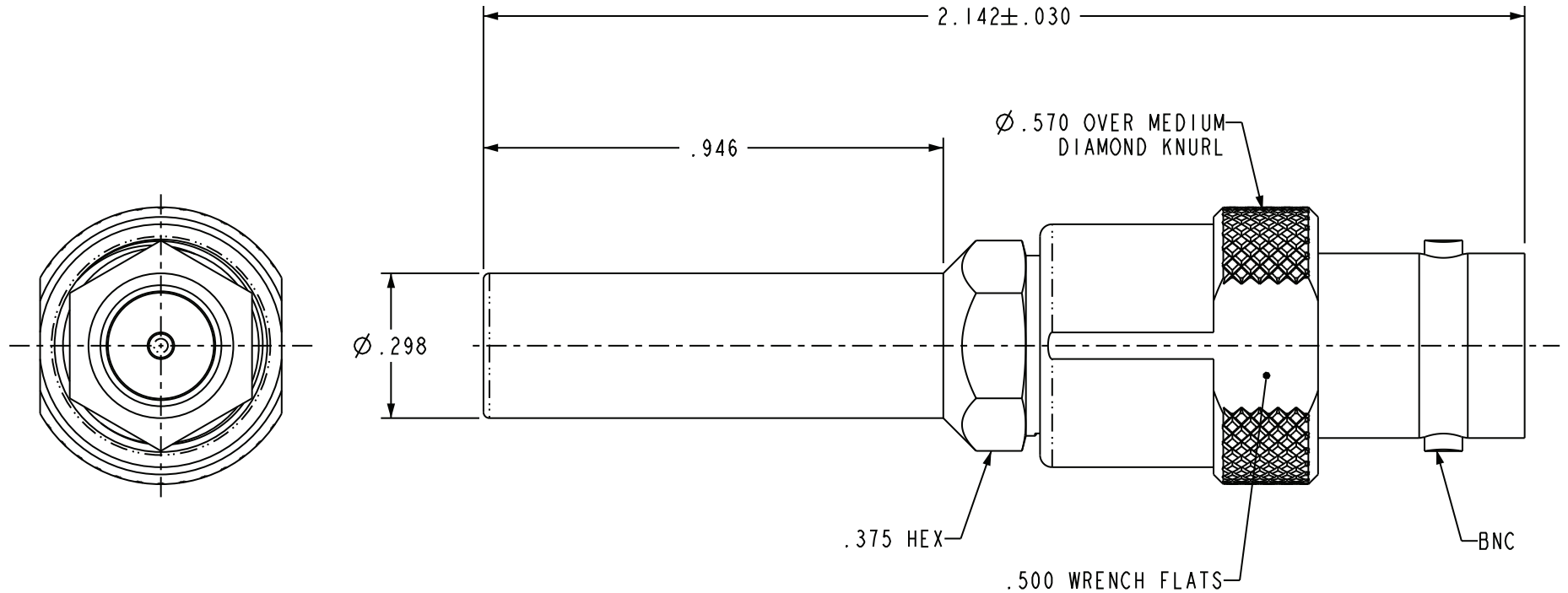


DATA CONTAINED IN THIS DOCUMENT IS PROPRIETARY TO EMERSON CONNECTIVITY SOLUTIONS AND SHALL NOT BE DISCLOSED, COPIED OR USED FOR PROCUREMENT OR MANUFACTURE WITHOUT EXPRESS WRITTEN PERMISSION

REVISIONS			
REV	DESCRIPTIONS	DATE	APPROVED
H	ECO 53266	5-4-11	B. RYAN



2. 75 OHM BETWEEN SERIES ADAPTER FEMALE BNC JACK TO MINIATURE MALE PATCH PLUG

1. FINISH: TFS-1A (NICKEL)

NOTES: UNLESS OTHERWISE SPECIFIED.

INTERPRET DRAWING PER MIL-STD-100. DIMENSIONS ARE IN INCHES AND INCLUDE FINISH THICKNESS UNLESS OTHERWISE SPECIFIED.		TOL: UNLESS SPECIFIED. .XX ± .01 .XXX ± .003 .XXXX ± .0010 ANGLE ± 1° 00' CRITICAL				Cinch Connectivity Solutions 299 Johnson Ave. Ste. 100 Waseca, MN 56093 1-800-247-8256	
DRN B. RYAN	6-1-11	MATERIAL:	TITLE: ADMW12				
CHK T. KOHLER	6-2-11	FINISH:	SIZE A	CAGE CODE 14949	DRAWING NO. 105-0408	REV. H	
QUALITY			SCALE 3/1	DATE 2-8-73	SHEET 1 OF 2		
MANUF		DO NOT SCALE DWG					
APPROVED							
SURFACE AREA	PROJ TITLE NO. 105-0408						