

REVISIONS			
SYM	ZONE	ECN, ERN NO.	DATE APPRD.
A		PROPOSAL	DEC05/05 LCHAN

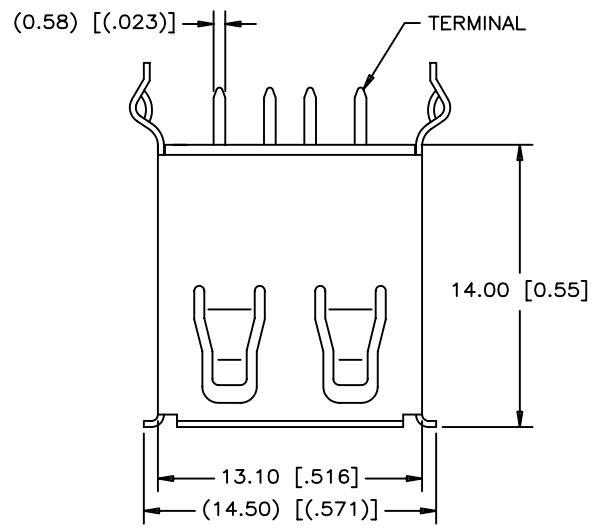
AMPHENOL PART NUMBER: U E 2 7 - A E X 4 - X 0 X

SERIES
UE27=RECEPTACLE
TYPE
A=SERIES A

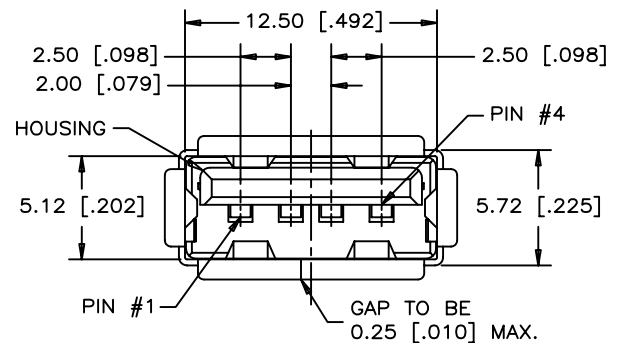
STYLE
E=STRAIGHT PCB, VERTICAL MOUNT

CONTACT & SHIELD PLATING OPTION
5=30u"[0.76 MICRONS] GOLD OVER NICKEL ON CONTACT MATING AREA.
100u"[2.54 MICRONS] TIN PLATING ON CONTACT TAILS.
7=GOLD FLASH OVER NICKEL ON CONTACT MATING AREA.
100u"[2.54 MICRONS] TIN PLATING ON CONTACT TAILS.

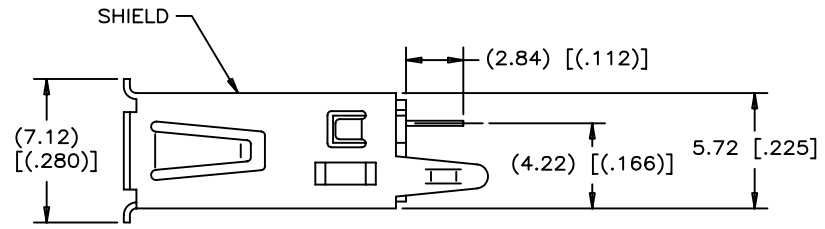
MODIFIER
0= PBT HOUSING
H= HIGH TEMP HOUSING
SHIELDING OPTION
0=STANDARD
COLOUR:
1=BLACK
2=BEIGE (AVAILABLE IS STANDARD TEMP ONLY)
NUMBER OF CONTACTS
4=4 CONTACTS



TOP VIEW



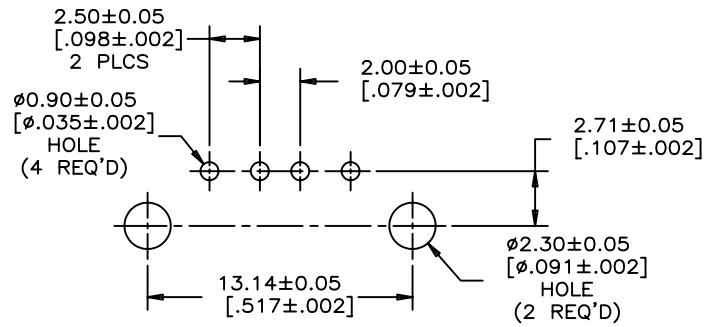
FRONT VIEW



SIDE VIEW

NOTES:

- HOUSING: ENGINEERING THERMOPLASTIC, FLAMMABILITY UL94V-0.
- CONTACTS: COPPER ALLOY. CONTACT PLATING AS FOLLOW: SEE AMPHENOL PART NUMBER SYSTEM FOR PLATING OPTIONS.
- SHELL: COPPER ALLOY. PLATING: NICKEL OVER COPPER UNDERPLATE.



RECOMMENDED P.C.B. LAYOUT
COMPONENT SIDE OF BOARD



MATERIAL	DRAWN	Chigow	DATE	DEC05/05	Amphenol Canada Corp.		
	DESIGNED						
FINISH	CHECKED	PAULW	DATE	DEC05/05	TITLE UNIVERSAL SERIAL BUS (SERIES A) RECEPTACLE, STRAIGHT PCB TAIL, VERTICAL MOUNT-RoHS COMPLIANT		
	I. E. APPRD.						
	Q. A. APPRD.				DWG	DRAWING NO.	REV.
	DWG. APPRD.				C	P-UE27-AEX4-X0X	A
	ENG. REL. NO.				DIMENSIONS ARE IN CODE ID. NO.		
	REF.				mm [INCHES]	03554	SCALE
					5/1	WT.	SURF.
							SHEET 1 OF 1

THIS DOCUMENT CONTAINS PROPRIETARY INFORMATION AND SUCH INFORMATION MAY NOT BE DISCLOSED TO OTHERS FOR ANY PURPOSE OR USED FOR MANUFACTURING PURPOSES WITHOUT WRITTEN PERMISSION FROM AMPHENOL CANADA CORP.